



INSTRUCTIONS

J04685

2008-05-28



CONSOLE PUSHBUTTON FUEL DOOR RELEASE

GENERAL

Kit Number

53842-00C

Models

For model fitment information, see the P&A Retail Catalog or the Parts and Accessories section of www.harley-davidson.com (English only).

Kit Contents

See Figure 2 and Table 1.

INSTALLATION

1. Open the fuel door. Remove and discard the original lock and nut.
2. See Figure 2. Install the pushbutton lock (3), washer (2) and nut (1) on the fuel door (C).
3. Remove screws (B) and replace the stock hinge mounting clip with the hinge mounting clip (Figure 1) from the kit. Install stock screws. Do not over-tighten.
4. Press firmly on the fuel door to close the fuel door.



Figure 1. Hinge Mounting Clip

Using the Fuel Door

Opening the Fuel Door

1. Insert the Harley-Davidson barrel key into the pushbutton lock. Turn the key to the 12-o'clock position. Remove the key.
2. See Figure 2. Press the button in the center of the pushbutton lock. The fuel door springs opens about 1/4-inch.

NOTE

To keep the pushbutton lock assembly operating smoothly, lightly spray lubricant on the mechanism as needed.

Locking the Fuel Door

NOTE

The pushbutton fuel door lock can be locked or unlocked with any Harley-Davidson barrel key.

1. Press firmly on the fuel door to close the fuel door and the pushbutton lock remains in the unlocked position.
2. Insert the Harley-Davidson barrel key into the pushbutton lock. Turn the key to the 3-o'clock position. Remove the key.

SERVICE PARTS

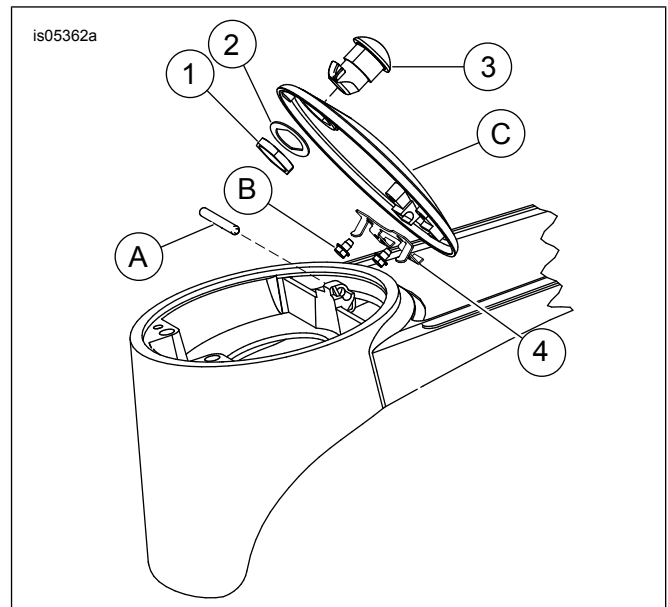


Figure 2. Service Parts: Console Pushbutton Fuel Door Release

Table 1. Service Parts

Item	Description (Quantity)	Part Number
1	Nut, hex	84850-92
2	Washer	Not Sold Separately
3	Fuel release, pushbutton	Not Sold Separately
4	Clip, hinge mounting	10334
Items mentioned in text, but not included in kit.		
A	Hinge pin	
B	Screw (2)	
C	Fuel door	