



INSTRUCTIONS

J05272

2010-10-30



AIR FOIL DETACHABLE LUGGAGE RACK LIGHT KITS

GENERAL

Kit Numbers

68000009, 68000010

Models

For model fitment information, see the P&A retail catalog or the Parts and Accessories section of www.harley-davidson.com (English only).

⚠ WARNING

Rider and passenger safety depend upon the correct installation of this kit. Use the appropriate service manual procedures. If the procedure is not within your capabilities or you do not have the correct tools, have a Harley-Davidson dealer perform the installation. Improper installation of this kit could result in death or serious injury. (00333b)

NOTE

This instruction sheet refers to service manual information. A service manual for this year/model motorcycle is available from a Harley-Davidson dealer.

Additional Parts Required

This Light Kit is designed to mount to an Air Foil Detachable Luggage Rack.

See the P&A retail catalog or the Parts and Accessories section of www.harley-davidson.com (English only) for these items, and for model fitment information.

Electrical Overload

NOTICE

It is possible to overload the vehicle's charging system by adding too many electrical accessories. If the combined electrical accessories operating at any one time consume more electrical current than the vehicle's charging system can produce, the electrical consumption can discharge the battery and cause damage to the vehicle's electrical system. (00211d)

⚠ WARNING

When installing any electrical accessory, be certain not to exceed the maximum amperage rating of the fuse or circuit breaker protecting the affected circuit being modified. Exceeding the maximum amperage can lead to electrical failures, which could result in death or serious injury. (00310a)

This Air Foil Luggage Rack Light Kit requires up to **52 mA** additional current from the electrical system.

Kit Contents

See Figure 4 and Table 1.

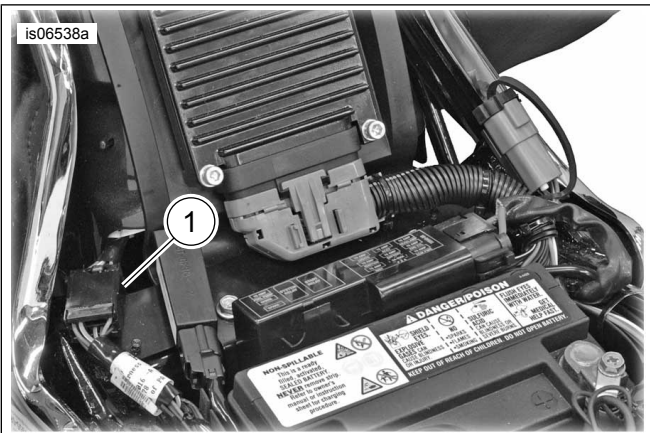
INSTALLATION

⚠ WARNING

To prevent accidental vehicle start-up, which could cause death or serious injury, remove main fuse before proceeding. (00251b)

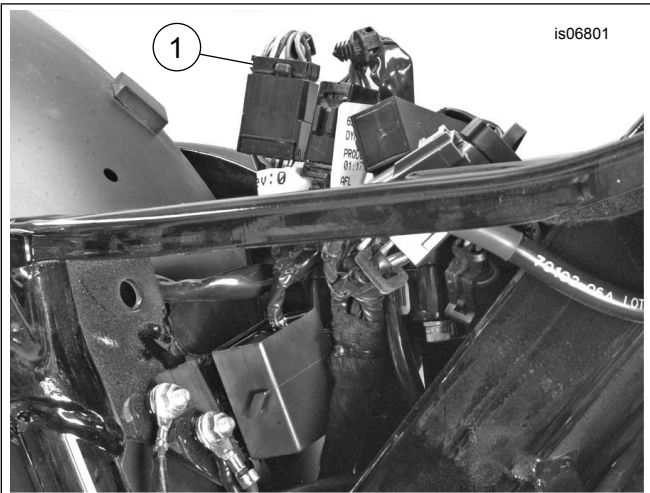
1. See the owner's manual and remove the seat and main fuse.
2. See Figure 4. Remove the Air Foil Detachable Luggage Rack (A) from the vehicle and place it upside-down on the work surface.
3. Remove the light filler (B) and two screws from the luggage rack.
4. Remove the black plastic plug from the hole bottom of the left rail.
5. Insert the loop end of the nylon monofilament guide wire (7) through the plug hole in the left rail, and out through the rear end of the rail. Allow the straight end to remain outside the plug hole.
6. Loop approximately 2.0 in (51 mm) of the light wires through the closed end of the guide wire. Fold wires neatly and completely to enable threading the wires through the rack tubing.
7. Carefully pull the straight end of the guide wire to draw the wires and shrink tubing into and through the rail, and out the plug hole. Feed the wires through the rack while pulling on the guide wire.
8. Detach the light wires from the guide wire after the wires have been pulled through the front hole.
9. Install the light assembly (1) to the rear of luggage rack and secure with two screws (3).





1. Rear Lighting Harness Connector [7B]

Figure 1. Rear Lighting Harness Connector - Softail Models



1. Rear lighting harness connector [7B]

Figure 2. Rear Lighting Harness Connector - Dyna Models

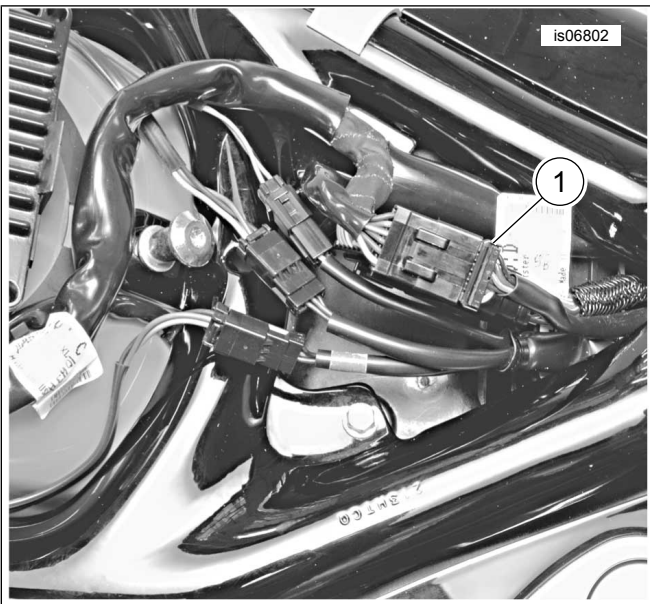


Figure 3. Rear Lighting Harness Connector - Sportster Models

WIRING

1. See Figure 1, Figure 2 or Figure 3. Locate and disconnect rear lighting harness connector [7B] from the main wiring harness connector [7A].
2. **For Dyna and Softail models:** See Figure 4. Connect interconnect harness (5) to rear lighting harness connector [7B] and main wiring harness [7A]. **For Sportster models:** See Figure 4. Connect interconnect harness (6) to rear lighting harness connector [7B] and main wiring harness [7A].
3. Mount the luggage rack to the vehicle per the instructions in the luggage rack kit.
4. Route the light assembly wires along the frame rail to the three-way connector. Fasten the light assembly wires to the vehicle with adhesive-backed clips (8) from the kit. Cut the light assembly wires to eliminate excess but allow easy connection to the extension harness.
5. Refer to the service manual and follow the instructions to crimp the pin terminals (2) to the three wires of the light assembly harness.
6. Insert the wires and terminals from the light assembly harness into the pin housing (4) from the kit:
 - a. Insert the **blue** wire into cavity 1.
 - b. Insert the **red/yellow** wire into cavity 2.
 - c. Insert the **black** wire into cavity 3.
7. Apply the contents of the dielectric grease packet (10) to the light and extension harness connector terminals.
8. Connect the light assembly harness to the interconnect harness 3-place connector (C).
9. Secure the interconnect harness as necessary with cable straps (9).

RETURN TO SERVICE

1. Refer to the owner's manual and follow instructions to install the main fuse.
2. Turn the ignition key switch to IGNITION, but do not start the motorcycle. Test the luggage rack light **and** the motorcycle lamps for proper operation:
 - a. With the ignition switch on, the LEDs in the luggage rack light should be illuminated, along with the vehicle tail lamp(s).
 - b. When either the brake hand lever or foot pedal are activated, the LEDs in the luggage rack light should noticeably brighten, along with the vehicle stop lamp(s).
 - c. When either turn signal switch is activated, the LEDs in the luggage rack light should remain lit steadily, and not flash.
 - d. Turn the ignition key switch to OFF. The luggage rack light should turn off immediately, along with the vehicle tail lamp(s).

▲ WARNING

After installing seat, pull upward on seat to be sure it is locked in position. While riding, a loose seat can shift causing loss of control, which could result in death or serious injury. (00070b)

3. Refer to the owner's manual, and follow instructions to install the seat.

SERVICE PARTS

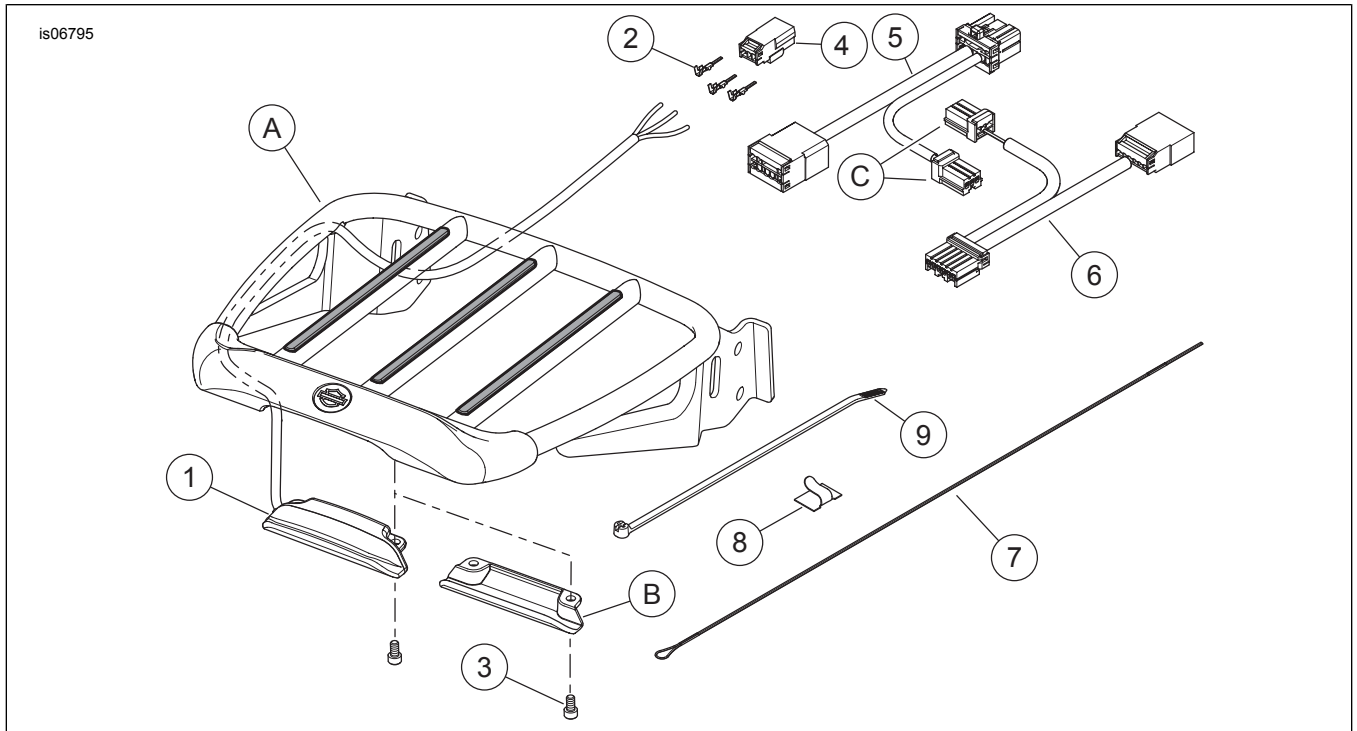


Figure 4. Service Parts: Air Foil Luggage Rack Light Kit

Table 1. Service Parts

Item	Description (Quantity)	Part Number
1	Light assembly, Air Foil detachable luggage rack	Not sold separately
2	Pin terminal, 20-16 AWG (3)	73190-96
3	Screw, socket head, #8-32, stainless steel (2)	Not sold separately
4	Pin housing, three-way	73103-96BK
5	Harness, interconnect, Dyna and Softail models	Not sold separately
6	Harness, interconnect, Sportster models	Not sold separately
7	Guide wire (nylon monofilament), with loop end	Not sold separately
8	Clip, adhesive-backed (6)	10102
9	Cable strap (3)	10006
10	Dielectric grease packet (not shown)	76001-04
Items mentioned in text:		
A	Air Foil Detachable Luggage Rack	
B	Light filler	
C	Interconnect harness 3-place connector	