



# INSTRUCTIONS

J05274

2011-11-15



## REAR FAT-X WHEEL

### GENERAL

#### ⚠ WARNING

Install only wheels and installation kits approved for your model motorcycle. Contact a Harley-Davidson dealer to verify fitment. Mismatching wheels and installation kits or installing wheels not approved for your model can cause loss of control, which could result in death or serious injury. (00610c)

### Kit Number

40900055

### Models

For model fitment information, see the P&A Retail Catalog or the Parts and Accessories section of [www.harley-davidson.com](http://www.harley-davidson.com) (English only).

### Kit Contents

See Figure 1 and Service Parts Tables.

### Additional Parts Required

These kits include the custom wheel only.

Proper installation of these kits require the separate purchase of the following parts which are available at a Harley-Davidson dealer.

- Wheel Installation Kit (See Table 3.)
- Brake Disc Screws (See Table 1 to determine proper hardware.)
- Rear Sprocket Screws (See Table 1 to determine proper hardware.) See the P&A Retail Catalog for chrome sprocket hardware.
- Wheel Bearing Remover and Installer (94134-09)

The following Harley-Davidson Genuine Motor Accessories are recommended for proper maintenance and cleaning:

- Harley® Bright™ Chrome Cleaner (94683-99)
- Harley® Glaze™ Polish and Sealant (99701-84)
- Harley® Wheel and Spoke Brush (43078-99)
- Harley-Davidson® Wheel and Tire Cleaner (94658-98)
- Harley® Preserve Bare Aluminum Protectant (99845-07)

#### ⚠ WARNING

Rider and passenger safety depend upon the correct installation of this kit. Use the appropriate service manual procedures. If the procedure is not within your capabilities or you do not have the correct tools, have a Harley-Davidson dealer perform the installation. Improper installation of this kit could result in death or serious injury. (00333b)

#### NOTE

This instruction sheet references service manual information. A service manual for your model motorcycle is required for this installation and is available from a Harley-Davidson dealer.

Table 1. Rear Disc and Sprocket Hardware Fitment

| Hardware  | Fitment   |
|---|---|
| <b>Rear Disc Screws</b> (select stock or chrome hardware)     |   |
| 5 Stock disc screws (43567-92)                                | All models  |
| Chrome screw kit (46647-05) includes 5 screws                 | All models  |
| <b>Rear Sprocket Screws</b> (select stock or chrome hardware) |   |
| 5 Sprocket screw, stock (3109)                                | 2007 and later Dyna and Softail, 2007 Touring   |
| Chrome screw kit (94773-07) includes 5 screws and washers     | 2007 and later Dyna and Softail   |
| 5 Sprocket screw, stock (3737A)                               | 2000-2005 Dyna, 2000-2006 Softail, 2004-2006 Touring  |
| Chrome screw kit (94773-00A) includes 5 screws and washers    | 2000-2005 Dyna, 2000-2006 Softail   |
| 5 Sprocket screw, stock (3814)                                | 2008 Touring  |
| 5 Sprocket screw, stock (3873)                                | 2006 Dyna   |
| 5 Sprocket screw, stock (3899)                                | 2000-2003 Touring, 2001 and later Sportster (except Japanese models)                                    |
| 5 Sprocket screw, stock (40439-01)                            | 2002-2006 VRSC and 2007 VRSCR models  |
| 5 Sprocket screw, stock (4552)                                | 2007 and later VRSC models (except VRSCR and VRSCSE models)   |
| <b>Rear Sprocket Washers</b>                                  |   |
| 5 Sprocket washer, stock (6516HW)                             | 2006 and earlier Dyna, Softail and Touring and 2000 and later Sportster models (except Japanese models) |
| 5 Sprocket washer, stock (7039)                               | 2002 and later VRSC   |

### INSTALLATION

1. Remove existing rear wheel assembly. Save axle, axle nut, brake disc and wheel spacers for kit installation. Refer to REAR WHEEL in service manual.

#### NOTE

The cotter pin or spring clip for the axle nut must be replaced. They are available for purchase from you dealer.



See your dealer for the correct part number for your model motorcycle.

**NOTE**

Install pull thru valve stem (40999-87) included in the installation kit. Discard all other valve stems.

- See Figure 1. Install valve stem assembly (J) on wheel. Refer to TIRES in service manual.

**NOTICE**

**Do not re-use brake disc/rotor screws. Re-using these screws can result in torque loss and damage to brake components. (00319c)**

**NOTICE**

**Do not re-use sprocket mounting screws. Re-using sprocket mounting screws can result in torque loss and damage to the sprocket and/or belt assembly. (00480b)**

- Assemble wheel installation kit components, stock brake disc, and sprocket to wheel using the appropriate service parts table. Refer to REAR WHEEL in service manual.

**NOTE**

The side of the wheel with the machined groove (4) indicates the primary bearing side. Install the primary bearing first using appropriate service manual and WHEEL BEARING REMOVER/INSTALLER.

The bearing shim found in the installation kit is not required for this wheel kit.

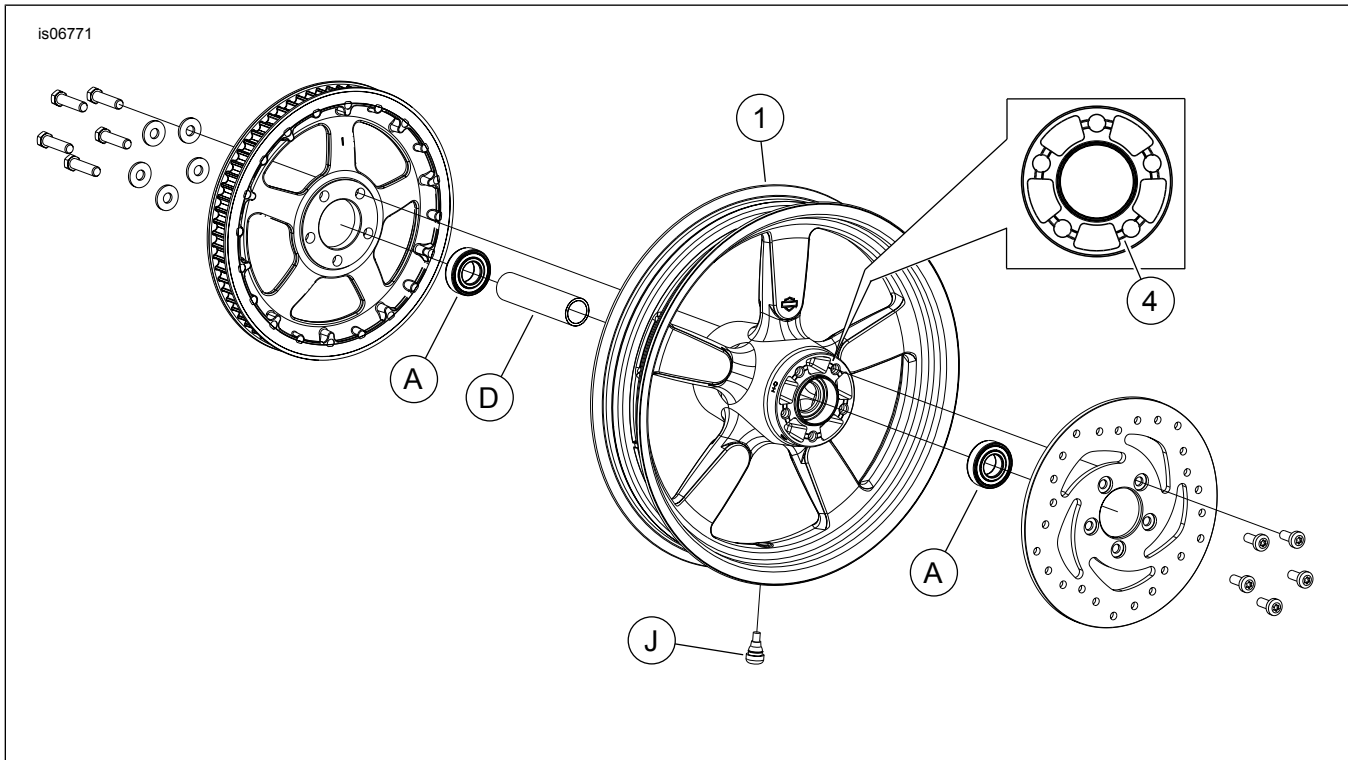
- Install rear wheel (1), stock axle and stock spacers to motorcycle. Refer to REAR WHEEL in service manual.

**MAINTENANCE AND CLEANING**

Chrome parts must be maintained regularly so they keep their original shine and luster.

- Clean heavily-soiled wheel surfaces using Harley-Davidson Wheel and Tire Cleaner, applied with Harley Wheel and Spoke Brush.
- Thoroughly clean chrome with a good quality chrome cleaner, such as Harley Bright Chrome Cleaner.
- After cleaning and polishing, seal the finish with a good quality sealer, such as Harley Glaze Polish and Sealant.

**SERVICE PARTS**



**Figure 1. Service Parts: Rear Fat-X Wheel**

**Table 2. Service Parts and Wheel Kit Contents**

| Kit      | Item | Description (Quantity)              | Part Number         |
|----------|------|-------------------------------------|---------------------|
| 40900055 | 1    | Wheel                               | Not Sold Separately |
|          |      | Visual indicator mentioned in text: |                     |
|          | 4    | Machined groove                     |                     |

**Table 3. REAR 25mm Bearing Wheel Installation Kit (43878-08B)**

| <b>REAR 25 MM Bearing Wheel Installation Kit (43878-08B)</b>   |                   | <b>Item (Quantity Used and Description)</b> |          |           |          |          |          |          |  |
|--|-------------------|---|----------|-----------|----------|----------|----------|----------|--|
| <b>Fitment</b>   | <b>Wheel Size</b> | <b>A</b>                                    | <b>C</b> | <b>D</b>  | <b>F</b> | <b>H</b> | <b>I</b> | <b>J</b> |  |
| 2008 and later FLSTN, FLSTC, FLS and FXS without ABS   | 16 x 3.0 in       | 2   | 1        | 0         | 0        | *        | *        | 0        |  |
| 2008 FLT without ABS   | 16 x 3.0 in       | 2   | 0        | 1         | 1        | *        | *        | 0        |  |
| 2008 and later XL (except 2011 and later XL883L)   | 16 x 3.0 in       | 2   | 0        | 1         | **       | *        | *        | *        |  |
| 2008 and later FXSTB, FXSTC, FLSTF, FLSTSB and FLSTFB without ABS  | 17 x 6.0 in       | 2   | 1        | 0         | 0        | *        | *        | 0        |  |
| 2008 and later FXSTB, FXSTC, FLSTF, FLSTSB and FLSTFB without ABS  | 18 x 6.0 in       | 2   | 1        | 0         | 0        | *        | *        | 0        |  |
| Installation kits are designed to work with many different wheel styles and fitments. Contact a Harley-Davidson dealer to verify that the wheel and installation kits are both designed and approved for the motorcycle they are being installed on.<br>NOTES:<br>* See <i>NOTE</i> above valve installation step in INSTALLATION to determine which valve stem to use for your particular kit. Discard other valve stem(s).<br>** See NOTES for your wheel kit above the wheel assembly step in INSTALLATION to determine which bearing shim to use for your particular wheel kit and fitment.<br>*** Bearing shim installed under primary bearing. | A                 | Bearing, regular (2)                        |          | 9276      |          |          |          |          |  |
|  | C                 | Axle sleeve                                 |          | 41696-08  |          |          |          |          |  |
|  | D                 | Axle sleeve                                 |          | 41900-08  |          |          |          |          |  |
|  | F                 | Bearing shim***                             |          | 43904-08  |          |          |          |          |  |
|  | H                 | Valve stem, short                           |          | 43157-83A |          |          |          |          |  |
|  | I                 | Valve stem, long                            |          | 43206-01  |          |          |          |          |  |
|  | J                 | Valve stem, pull thru                       |          | 40999-87  |          |          |          |          |  |