



# INSTRUCTIONS

J05396

2013-11-15



## FOUR-POINT DETACHABLE DOCKING HARDWARE KIT

### GENERAL

#### Kit Number

52300131

#### Models

For model fitment information, see the P&A retail catalog or the Parts and Accessories section of [www.harley-davidson.com](http://www.harley-davidson.com) (English only).

#### Installation Requirements

**Separate purchase** of other parts or accessories are required for proper installation of this kit on certain model motorcycles. See the P&A retail catalog or the Parts and Accessories section of [www.harley-davidson.com](http://www.harley-davidson.com) (English only) for a list of required parts or accessories for a specific model.

Loctite® 262 Threadlocker and Sealant - Red (Part No. 94759-99) and Loctite 243 Medium Strength Threadlocker and Sealant - Blue (Part No. 99642-97) are required for proper installation of this kit.

#### ▲ WARNING

**Rider and passenger safety depend upon the correct installation of this kit. Use the appropriate service manual procedures. If the procedure is not within your capabilities or you do not have the correct tools, have a Harley-Davidson dealer perform the installation. Improper installation of this kit could result in death or serious injury. (00333b)**

#### NOTE

*This instruction sheet refers to service manual information. A service manual for this year/model motorcycle is required for this installation. One is available from a Harley-Davidson dealer.*

#### Kit Contents

See Figure 2 and Table 1.

### PREPARATION

#### ▲ WARNING

**To prevent accidental vehicle start-up, which could cause death or serious injury, remove main fuse before proceeding. (00251b)**

#### NOTE

- **WITH security siren:** With security fob present, turn ignition switch ON. After system is disarmed, turn ignition switch OFF. **IMMEDIATELY** remove the main fuse per the service manual.
- **WITHOUT security siren:** See the service manual to remove the main fuse.

### INSTALLATION

1. See the service manual to remove the saddlebags.
2. See Figure 2. Remove two screws (B) from the saddlebag support on each side. Lift the slot cover inserts (A) from the slots in the supports.

#### NOTE

*The docking plates are side-specific. The longer pin (C) mounts toward the front of the vehicle.*

3. Insert each **new** docking plate assembly (1 or 2) into the slot in the correct-side saddlebag support.
4. Place a washer (8) over the threads of each of the **larger** screws (7) from the kit. Apply 2 or 3 drops of Loctite 262 Threadlocker and Sealant - Red to the screw threads.
5. Install the screws through the docking plates (1 or 2) and saddlebag supports, and into the frame extension threaded holes on each side of the vehicle. Tighten to 27 N·m (20 ft-lbs).

#### NOTE

*See Figure 1. Install the docking points to the docking plates (2) with the chamfer (1) facing the plate (flat side facing out).*

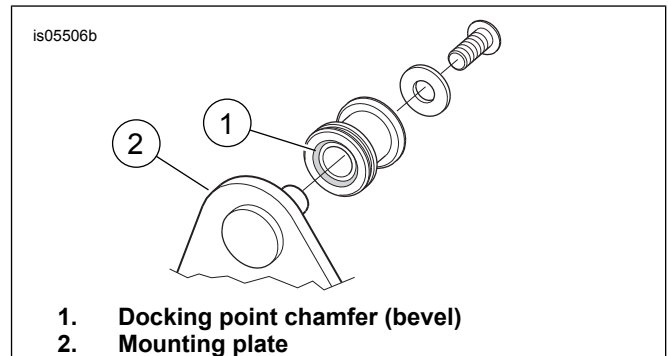


Figure 1. Docking Point Installation

6. See Figure 2. Slide a spacer (3) onto the longer pin (C) of each docking plate. Slide a docking point (4), chamfer end first, onto each docking plate pin. Install a chrome washer (5) onto each of the **smaller** screws (6) from the kit. Apply 2 or 3 drops of Loctite 243 - Blue to the threads of each screw.
7. Install the screws into the docking plate pins. Tighten to 14.2 N·m (10.5 ft-lbs).

## Maintenance

### NOTE

In time docking points wear, causing the installed detachable accessory to become loose and rattle. Tighten the fit using the following procedure.

1. Mark each docking point at the current top position.
2. Remove the screws and washers.
3. Remove threadlocker from the docking point screws and mounting hole threads before applying Loctite 243 - Blue to the screw threads. Install the screws and washers.
4. Rotate the docking points clockwise approximately 45 degrees from the previous position.
5. Tighten the screws to 14.2 N·m (10.5 ft-lbs).

This procedure can be repeated up to three times before replacement of the docking points is recommended.

## SERVICE PARTS

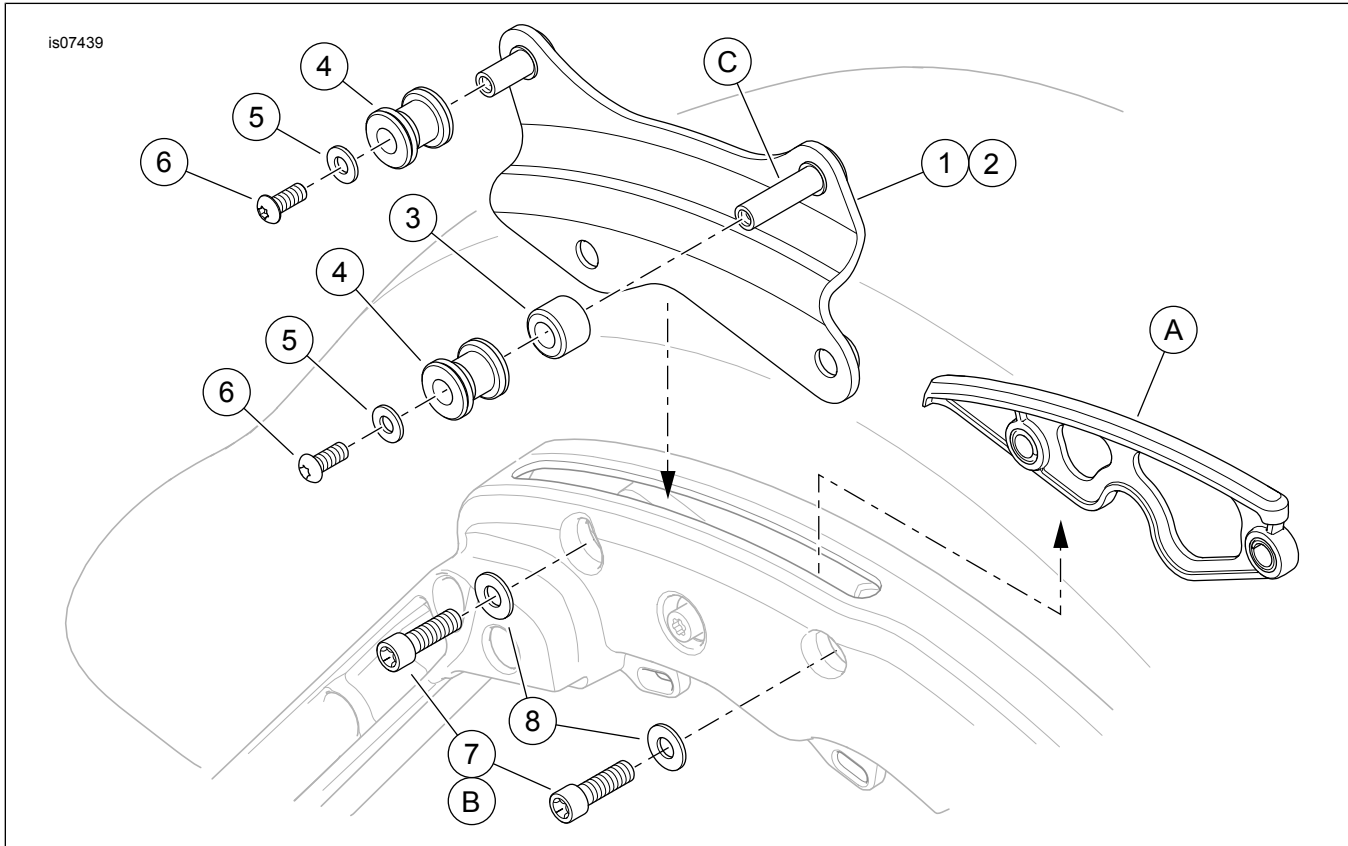


Figure 2. Service Parts, Four-Point Detachable Docking Hardware Kit

Table 1. Service Parts

Item	Description (Quantity)	Part Number
1	Docking plate assembly (right side, shown)	52300132
2	Docking plate assembly (left side, not shown)	52300133
3	Spacer, docking point (2)	12400059
4	Docking point (4)	53684-96A
5	Plain washer, chrome (4)	12600052
6	Cap screw, button head TORX, 1/4-20 x 16 mm (5/8 in) long (4)	94592-98
7	Cap screw, TORX head, 5/16-18 x 25 mm (1 in) long (4)	10200157
8	Plain washer, zinc finish (4)	6302
<b>Items mentioned in text:</b>		
A	OE slot cover insert (2)	
B	Slot cover insert attaching screw (4)	
C	Long docking plate pin (2)	