



INSTRUCTIONS

J05110

2010-03-24



DETACHABLE AIR WING LUGGAGE RACK

GENERAL

Kit Numbers

54292-11, 50300009

Models

For model fitment information, see the P&A retail catalog or the Parts and Accessories section of www.harley-davidson.com (English only).

Additional Parts Required

Separate purchase of additional parts or accessories may be required for proper installation of this luggage rack on this model motorcycle. See the P&A retail catalog or the Parts and Accessories section of www.harley-davidson.com (English only) for a list of required parts or accessories for this model.

Tools and Supplies Required

Loctite[®] 271 Threadlocker and Sealant - Red (H-D Part No. 99671-97) is required for the proper installation of this kit. This item is available from a Harley-Davidson dealer.

Kit Contents

See Figure 1 and Table 1.

INSTALLATION

NOTE

Cover the rear fender with an H-D Service Cover or clean shop towel to prevent scratching the finish.

Rigid Mount Sideplates Only

1. See Figure 1. **Loosen** front two 3/8-16 TORX screws that attach rigid mount sideplates (A).
2. Loosen and **remove** rear two sideplate screws.
3. Raise sissy bar/sideplate assembly to gain access to screws (2) that attach sissy bar (B) to sideplates.

Rigid and Detachable Sideplates

1. Remove and discard four button head TORX screws (2) that attach sissy bar to sideplates.
2. Position luggage rack (1) between the sideplates.
3. Apply Loctite 271 - Red to **new** TORX screws (2) from kit, and insert screws through holes in luggage rack, sideplate and sissy bar. Tighten screws to 16.3 N·m (12 ft-lbs).

Rigid Mount Sideplates Only

1. Return sissy bar/sideplates to the normal position.

NOTE

Thoroughly remove all existing threadlocking agent from fastener and mounting hole threads before applying new threadlocking agent.

2. Apply Loctite 271 - Red to the **clean** threads of the rear two TORX screws that attach rigid mount sideplates to motorcycle. Install rear two sideplate screws finger-tight.
3. Remove, clean and apply Loctite to the front two screws, and install.
4. Tighten the front and rear screws to 28.5–36.6 N·m (21–27 ft-lbs).

NOTE

Maximum luggage rack weight capacity is 4.5 kg (10 lb)

Do not use this rack as a seat.

▲ WARNING

Do not exceed luggage rack weight capacity. Too much weight can cause loss of control, which could result in death or serious injury. (00373a)



Service Parts

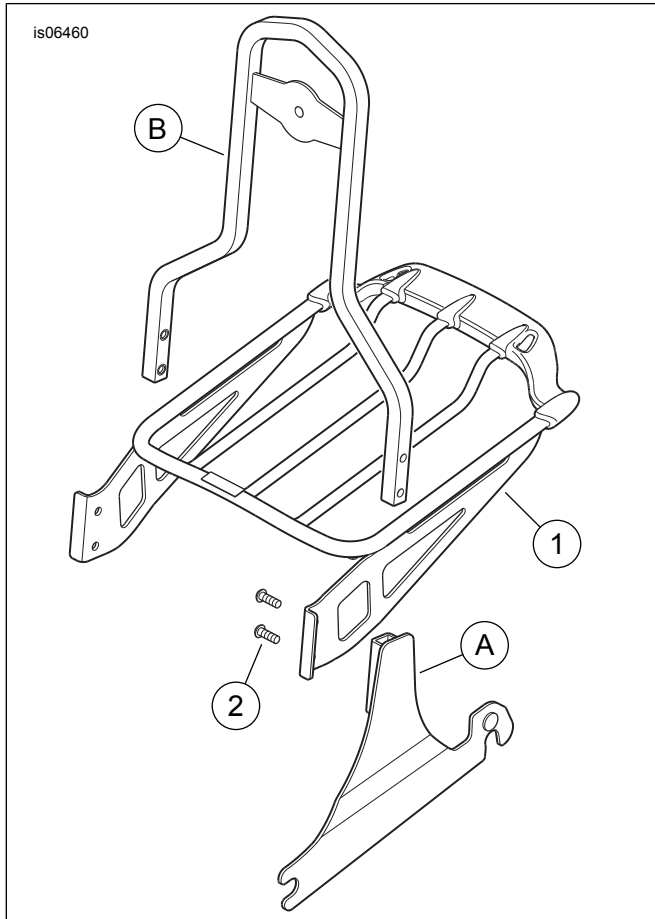


Figure 1. Service Parts, Detachable Air Wing Luggage Rack

Table 1. Service Parts

Item	Description (Quantity)	Part Number
1	Luggage rack (1)	Not sold separately
2	Screw, button head TORX®, 1/4-20 x 19 mm (3/4 in) long (4)	94593-98
Items mentioned in text, but not included in kit:		
A	Sideplate	
B	Sissy bar	