



INSTRUCTIONS

J05210

2012-03-05



TOURING OIL COOLER COVER KIT

GENERAL

Kit Number

63121-11A (chrome)

Models

For model fitment information, see the P&A Retail Catalog or the Parts and Accessories section of www.harley-davidson.com (English only).

Kit Contents

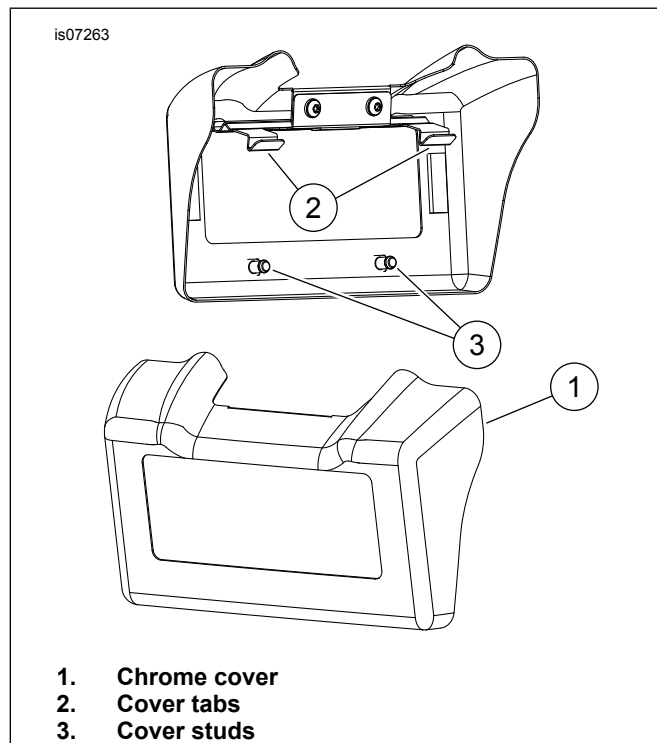


Figure 1. Chrome Oil Cooler Cover

There are no Service Parts available with this kit.

INSTALLATION

1. Remove plastic OEM oil cooler cover by pulling out the bottom of the cover from the grommets and lifting it off of the oil cooler.
2. See Figure 1. Slide the top of the new chrome cover (1) so that the two tabs (2) catch behind the top of the oil cooler.
3. Push down the cover and align the cover studs (3) with the oil cooler grommets and press studs into the grommets.

NOTE

If you have difficulty attaching the top of the cover to the oil cooler, loosen the voltage regulator fasteners to provide more room for the oil cooler cover installation. After the cover is attached, tighten voltage regulator fasteners to 7.9–11.3 N·m (70–100 in-lbs).

4. Inspect the grommets to make sure that they have not shifted or popped out of the oil cooler frame.

