



INSTRUCTIONS

J04109

2011-07-15



PASSENGER FOOTBOARD SUPPORT KIT

GENERAL

Kit Number

50400-07A, 50399-07A

Models

For model fitment information, see the P&A Retail Catalog or the Parts and Accessories section of www.harley-davidson.com (English only).

Tools and Supplies Required

Loctite[®] 271 Threadlocker and Sealant - Red (H-D Part Number 99671-97) is required for the proper installation of this kit. This item is available from a Harley-Davidson dealer.

Kit Contents

See Figure 1 and Table 1.

INSTALLATION

Left Side Footboard

1. Remove existing footpeg, support bracket and attaching hardware. Remove chrome swing arm pivot covers, if equipped. Do not remove tool box, if equipped.

NOTE

Some paint removal from counter bore holes of footboard support may be necessary to ease installation of the pivot pins.

2. Install footboard mounts as follows:

- a. Position footboard mount (3). Apply Loctite 271 - Red to hex socket head capscrew (8) and insert through part and into footpeg mounting hole.
- b. Position semi-circular cut-out in mount extending from side of mount around nut of swing arm pivot bolt.
- c. Tighten footboard mounting screw (8) to 61–67.8 N·m (45–50 in-lbs).

3. Position footboard support (5) on mounting stud so that bolt hole aligns with machined groove in stud.

4. Apply Loctite 271 - Red to screw (9) and insert through left side in split hub of footboard support (5). Thread into tapped hole (right side) of split hub.

5. Tighten screw (9) to 13.5 N·m (120 in-lbs).

Right Side Footboard

1. Remove existing footpeg and footpeg mount.
2. See Figure 1. Position footboard mount (6) onto muffler support bracket.
3. Apply Loctite 271 - Red to socket head screw (7) and tighten to 47–61 N·m (35–45 ft-lbs).



SERVICE PARTS

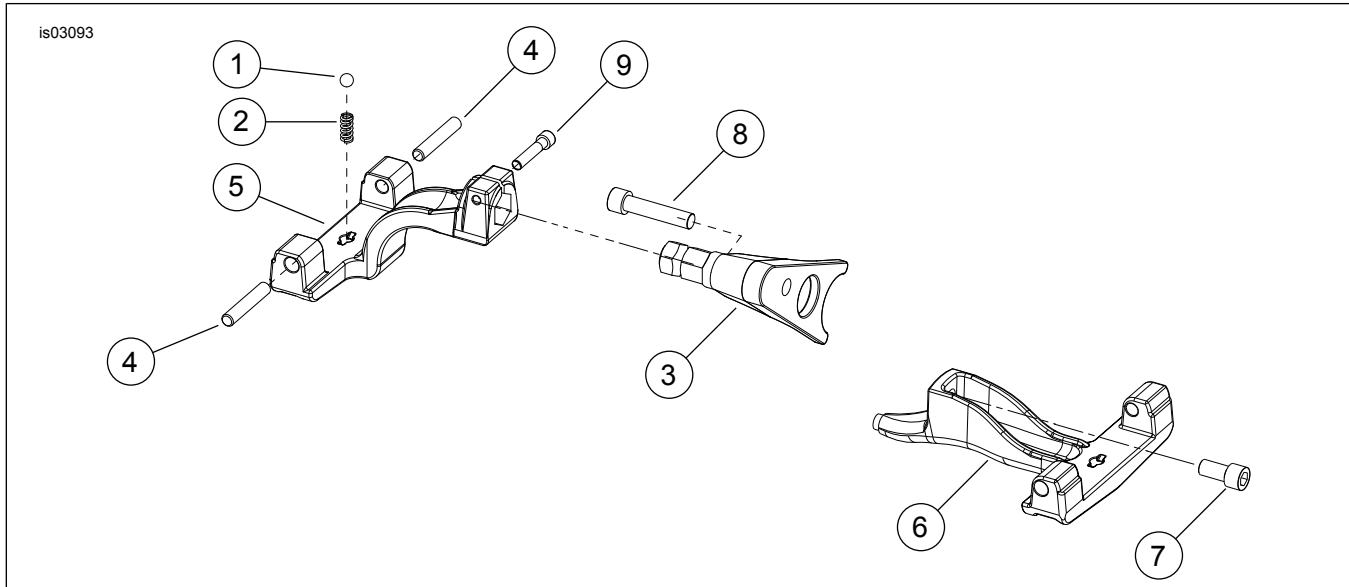


Figure 1. Service Parts: Passenger Footboard Support Kits

Table 1. Service Parts: Passenger Footboard Support Kit

Kit 50400-07A			Kit 50399-07A		
Item	Description (Quantity)	Part Number	Item	Description (Quantity)	Part Number
1	Ball, steel (2)	8861	1	Ball, steel (2)	8861
2	Spring (2)	33085-74	2	Spring (2)	33085-74
3	Mount, left hand footboard	50464-07	3	Mount, left hand footboard	50464-07
4	Pivot pin (4)	50933-86A	4	Pivot pin (4)	50933-86A
5	Support, footboard	50465-07	5	Support, footboard	50465-07
6	Support, right hand footboard	50403-07	6	Support, right hand footboard	50402-07
7	Cap Screw, hex socket head 3/8 - 16 x 3/4 gr.8, silver	2917	7	Cap Screw, TORX® socket head 3/8 - 16 x 3 gr.8-no lock, silver	4314
8	Cap Screw, hex socket head 3/8 - 16 x 1-3/4 gr.8-no lock, silver	4310	8	Cap Screw, hex socket head 3/8 - 16 x 1-3/4 gr.8-no lock, silver	4310
9	Cap Screw, hex socket head 1/4 - 20 x 1-1/4 gr.8-no lock, silver	3601	9	Cap Screw, hex socket head 1/4 - 20 x 1-1/4 gr.8-no lock, silver	3601