



INSTRUCTIONS

J05003

2011-05-13



DYNA SEAT WITH RIDER BACKREST KIT

GENERAL

Kit Number

52000015

Models

For model fitment information, see the P&A Retail Catalog or the Parts and Accessories section of www.harley-davidson.com (English only).

Additional Parts Required

This kit requires the separate purchase of Bumper Kit (51653-06) and Passenger Footpeg Kit (50210-06) and passenger footpegs (purchased separately) if installed on a vehicle originally equipped with a solo seat.

⚠ WARNING

Do not install these seat kits on motorcycles that are not equipped with an appropriate grab strap and passenger footpegs. If footpegs and grab strap are not installed, passenger could fall from moving motorcycle or grab onto operator, causing loss of control and death or serious injury. (00410b)

NOTE

A service manual for your model motorcycle is available from a Harley-Davidson dealer.

Kit Contents

See Figure 5 and Table 1.

INSTALLATION

NOTE

When performing the following installation procedures, avoid scratching painted surfaces (fender, tank, etc.) with tools or metal seat tabs.

For Vehicles with a 2-up Seat

1. Remove the existing seat from motorcycle. Save the mounting screw for installation of the new seat.
2. Remove existing grab strap and all attaching hardware.
3. See Figure 1 for information on which holes to install grab strap through (use the hole shown dark in the illustration). Install new grab strap onto motorcycle at same location old grab strap was removed (re-use existing hardware). Tighten to 6.78–10.17 N·m (60–90 in-lbs). **For 2010 and Later FXDWG Models:** See Figure 4. Verify that the head of the flange screw (1) is clear of the wire guide (2) and is installed against the fender.

For Vehicles with Solo Seat

1. Remove the existing seat from the motorcycle. Save the mounting screw for installation of the new seat.
2. See Figure 2. Remove the plastic cap from the rear most fender hole (3).
3. Remove the seat retention nut and washer from the solo seat mounting hole.
4. See Figure 3. A cable strap may be used as an installation aid to remove and install the retention nut and washer. Place the retention nut (1) over the cable strap (3) so the wide end of the nut rests on the eye of the cable strap. Thread the cable strap up under the fender and through the rearmost fender hole. Pull up on the cable strap to hold the nut snug against the underside of the fender.
5. With the rib on the retention nut seated into the notch in the fender hole, slide the retention washer (2) into place from the rear. This will lock the retention nut in place. Remove the cable strap.
6. Obtain the grab strap, flange screw, seat retention nut, washer, and hex nut from the kit.
7. Install the flange screw from the inside of the fender into the grab strap mounting hole in the fender (Figure 2, Item 5). Secure the screw with the plastic seat retention nut. **For 2010 and Later FXDWG Models:** See Figure 4. Verify that the head of the flange screw (1) is clear of the wire guide (2) and is installed against the fender.
8. Install new passenger strap from kit according to the diagram in Figure 1. Install washer and nut and tighten nut to 6.78–10.17 N·m (60–90 in-lbs).
9. If not already installed, install the seat bumper kit and passenger footpegs according to instructions in those kits.

Seat Installation (All Models)

1. Slide the pillion of the seat through the grabstrap and position the new seat on the motorcycle. Be sure tongue on front of seat fully engages into the seat mounting slot between the gas tank bracket and frame.

⚠ WARNING

After installing seat, pull upward on seat to be sure it is locked in position. While riding, a loose seat can shift causing loss of control, which could result in death or serious injury. (00070b)



- See Figure 5. Secure seat with stock screw (F).

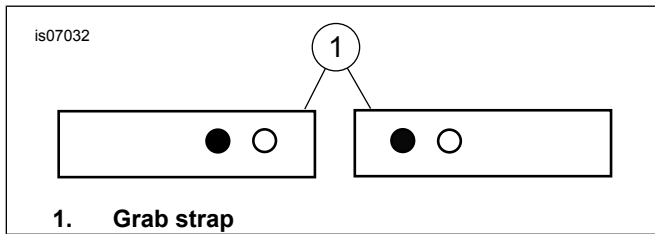


Figure 1. Grab Strap Hole Installation

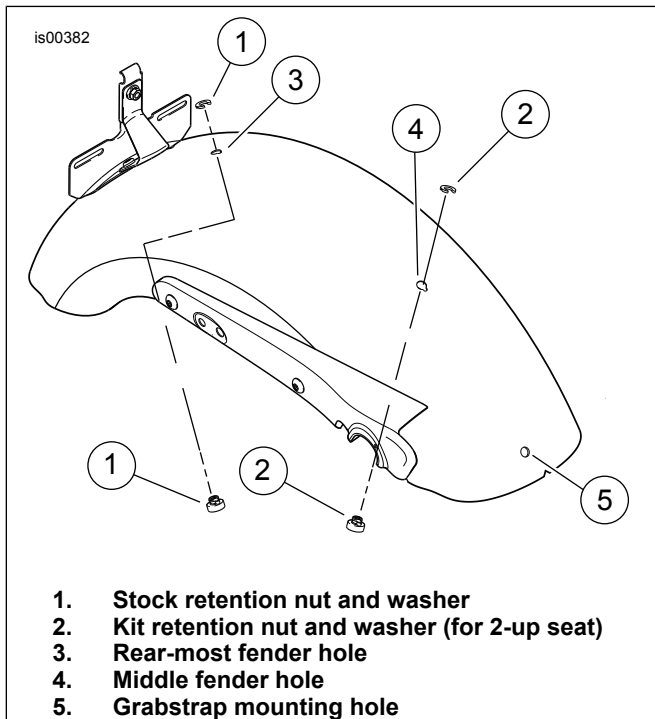


Figure 2. Retention Nut Location

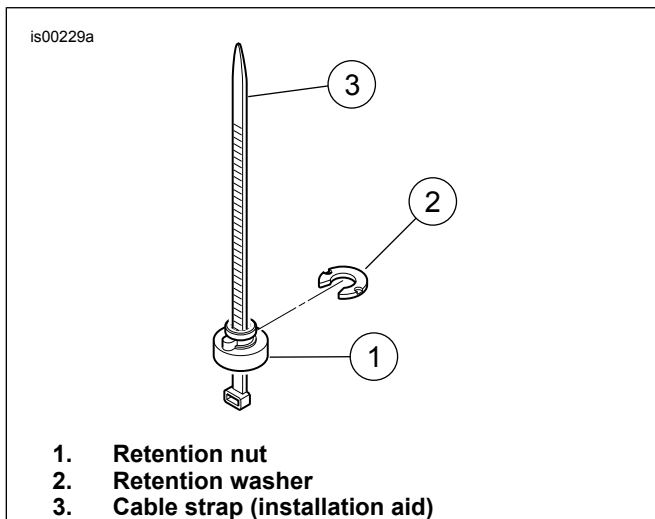


Figure 3. Install Retention Nut

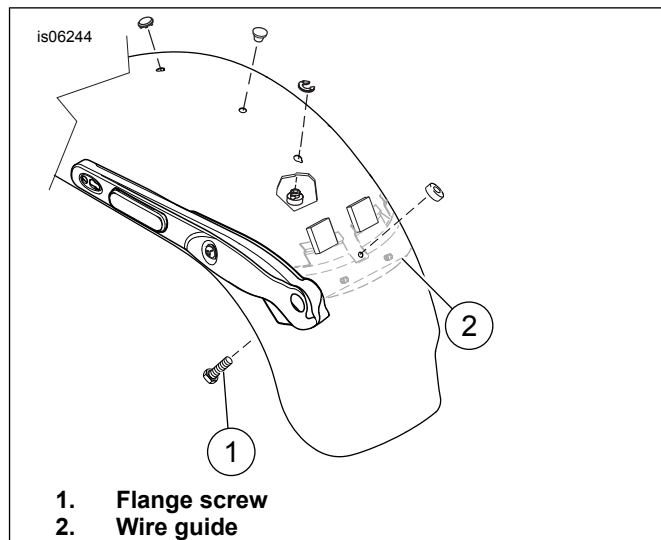


Figure 4. Grab Strap Installation - FXDWG Models

BACKREST INSTALLATION AND ADJUSTMENT

Install Backrest

- See Figure 5. Open hook-and-loop flaps (A) on seat (1).
- Insert backrest assembly (2), with pad facing forward, into slot (D) under the flaps.
- Insert until spring (10) engages tab (E) inside seat and locks the backrest in place.

Adjust Backrest Vertically

- See Figure 5. Lift the flap (C) on the back of the backrest (2) and expose the spring-pin bracket (12).
- Pull the spring pin (13) at the back of the backrest and adjust the backrest to the desired height.
- Release the spring pin and verify that it locks into place in one of the positioning holes (B).
- Secure the flap of the backrest by engaging the hook-and-loop.

Adjust Backrest Forward and Rearward

NOTE

See Figure 5. The backrest can be folded forward to allow for easier mounting and dismounting of the motorcycle.

- Move the seat flaps to expose the adjustment knob (8).
- Turn the knob clockwise to adjust the backrest forward. Turn the knob counter-clockwise to adjust the backrest rearward.

Remove Backrest

- See Figure 5. Open hook-and-loop flaps (A) on seat.
- Press the spring (10) against the backrest bracket (9) until the spring disengages retention tab (E).
- Remove backrest from the seat.
- Secure the flaps by engaging the hook-and-loop.

SERVICE PARTS

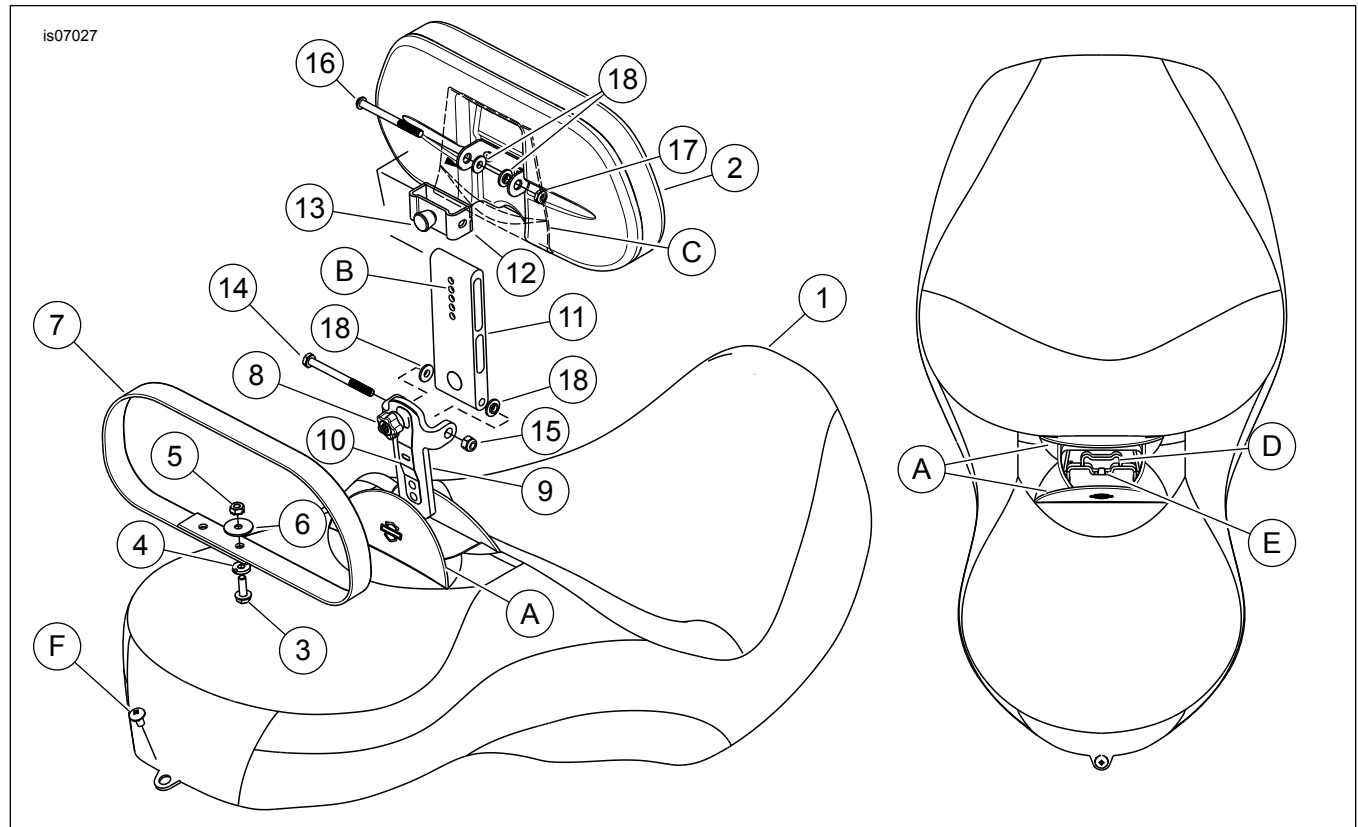


Figure 5. Service Parts: Dyna Seat with Rider Backrest Kit

Table 1. Service Parts Table

| Item | Description (Quantity) | Part Number |
|--|--|---------------------|
| 1 | Seat | Not Sold Separately |
| 2 | Backrest, rider (includes items 8-18) | 52000022 |
| 3 | Screw, flanged hex head, 1/4-20 x 3/4 in | 3574 |
| 4 | Nut, retention, 1/4-20 | 7891 |
| 5 | Nut, KEPS, 1/4-20 | 7792 |
| 6 | Washer, flat, 1/4 in | 6036 |
| 7 | Grabstrap | 51173-93 |
| 8 | Knob, adjustment | 51868-06A |
| 9 | Cactus bracket with release spring | Not Sold Separately |
| 10 | Release spring | Not Sold Separately |
| 11 | Upright bracket | Not Sold Separately |
| 12 | Clip, height adjustment | Not Sold Separately |
| 13 | Pull pin, height adjustment | Not Sold Separately |
| 14 | Screw, hex head, 1/4-20 x 3 in | Not Sold Separately |
| 15 | Locknut, 1/4-20 | Not Sold Separately |
| 16 | Screw, button head, 1/4-20 x 2-7/8 in | Not Sold Separately |
| 17 | Locknut, thin, 1/4-20 | Not Sold Separately |
| 18 | Spacer, hat, nylon (4) | Not Sold Separately |
| Items mentioned in text, but not included in kit: | | |
| A | Seat slot flaps | |
| B | Vertical adjustment holes | |
| C | Backrest flap | |
| D | Backrest slot | |
| E | Backrest retention tab | |
| F | Screw, truss head, SEMS, 1/4-20 x 1/2 in | 2952A |