



INSTRUCTIONS

J04127

2011-07-20



SOFTAIL DETACHABLE SADDLEBAG KITS

GENERAL

Kit Numbers

88237-07, 88238-07

Models

For model fitment information, see the P&A retail catalog or the Parts and Accessories section of www.harley-davidson.com (English only).

Additional Parts Required

- **All models** require the separate purchase of a Softail Docking Hardware Kit (53932-03) (unless previously installed for other detachable accessories).
- **All FX Softail models**, with or without other detachable accessories, require the separate purchase of a Turn Signal Relocation Kit (69857-07). This kit provides adequate clearance for the saddlebags and for all detachable accessories.
- **Models equipped with detachable accessories** (passenger upright, sissy bar, luggage rack) also require a Docking Hardware Kit (88256-07).
- **Models equipped with rigid mount accessories** require the separate purchase of a Docking Kit (88298-07).
- **2007 and later FXSTC models** require the separate purchase of an FXSTC Saddlebag Docking Hardware Kit (88297-0).

These items can be purchased from a Harley-Davidson dealer.

Tools and Supplies Required

Loctite[®] 243 Threadlocker and Sealant - Blue (99642-97) is required for the proper installation of this kit.

⚠ WARNING

Rider and passenger safety depend upon the correct installation of this kit. Use the appropriate service manual procedures. If the procedure is not within your capabilities or you do not have the correct tools, have a Harley-Davidson dealer perform the installation. Improper installation of this kit could result in death or serious injury. (00333b)

NOTE

This instruction sheet references service manual information. A service manual for your model motorcycle is required for this installation and is available from a Harley-Davidson dealer.

Kit Contents

See Figure 7 to Figure 9, and Table 3 to Table 5.

⚠ WARNING

Do not exceed saddlebag weight capacity. Put equal weight in each bag. Too much weight in saddlebags can cause loss of control, which could result in death or serious injury. (00383a)

NOTE

Maximum saddlebag weight capacity is 4.55 kg (10 lb).

PREPARATION

Models with main fuse:

⚠ WARNING

To prevent accidental vehicle start-up, which could cause death or serious injury, remove main fuse before proceeding. (00251b)

1. Refer to the service manual and follow the instructions given to remove the main fuse. Remove the seat per service manual instructions. Retain all seat mounting hardware.

Models with main circuit breaker:

⚠ WARNING

To prevent accidental vehicle start-up, which could cause death or serious injury, disconnect battery cables (negative (-) cable first) before proceeding. (00307a)

⚠ WARNING

Disconnect negative (-) battery cable first. If positive (+) cable should contact ground with negative (-) cable connected, the resulting sparks can cause a battery explosion, which could result in death or serious injury. (00049a)

1. Refer to the service manual and follow the instructions given to remove the seat and disconnect the battery cables, negative (-) cable first. Retain all seat mounting hardware.

INSTALLATION

Detachable Saddlebag Configurations

Table 1 provides a short description of the detachable saddlebag configurations.



Table 1. Softail Detachable Saddlebag Configurations

Kit	Short Description	Accessory Configuration (Long Description)
88237-07	FL Outer	2003-Later FLST/C and 2003-2005 FX Softail Models (Except FXSTD) <i>With</i> Other Detachable Accessories
	FL Inner	2003-Later FLST/C and 2003-2005 FX Softail Models (Except FXSTD) <i>Without</i> Other Detachable Accessories
	FL Rigid	2003-Later FLST/C and 2003-2005 FX Softail Models (Except FXSTD) <i>With</i> Rigid-Mounted Accessories
88238-07	FX Outer	2006-Later FX Models (Except FXSTD) <i>With</i> Other Detachable Accessories
	FX Inner	2006-Later FX Models (Except FXSTD) <i>Without</i> Other Detachable Accessories
	FX Rigid	2006-Later FX Models (Except FXSTD) <i>With</i> Rigid-Mounted Accessories
	FXSTC Stock	2007-Later FXSTC Models <i>With</i> Stock Passenger Upright

NOTE

Proper installation of these kits requires that tasks be completed for one side of the motorcycle first before continuing to the opposite side.

Install Turn Signal Relocation Kit

Refer to instructions included with Turn Signal Relocation Kit 69857-07.

Install Docking Hardware Kit(s)

Without Other Detachable Accessories: Refer to instructions included with Docking Hardware Kit (53932-03).

With Other Detachable Accessories: Refer to instructions included with Docking Hardware Kits (53932-03 and 88256-07).

Install Rear Docking Adapter

NOTE

This procedure only applies to models without detachable accessories.

1. See Figure 1. Insert rear docking adapter (1) into holes in saddlebag bracket and hold in place.
2. Install rear docking adapter using screw (2) and nut (3). Tighten snugly.

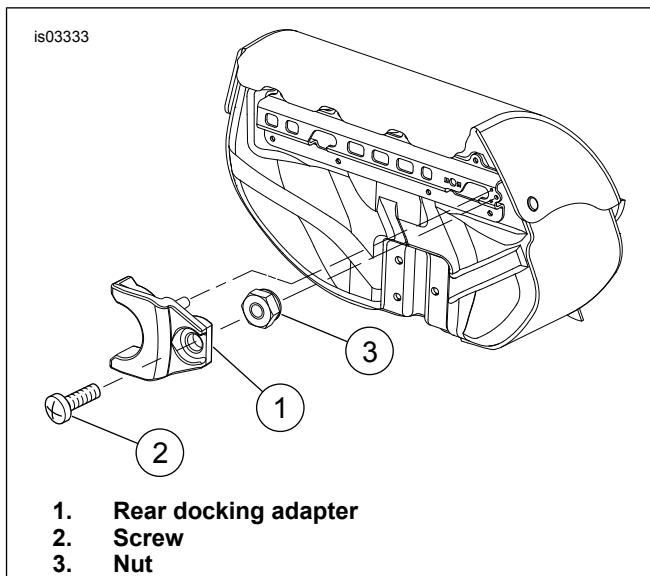


Figure 1. Install Rear Docking Adapter

Install Lower Support Arms on Saddlebags

1. See Figure 2. Apply Loctite 243 - Blue to threads of screw (4).
2. Loosely install lower support arm (1) on both saddlebags using three flat washers (2), split lockwashers (3) and screws (4). The lower support arm fits in slot on back of saddlebag. The hardware mounts the arm from inside the saddlebag.

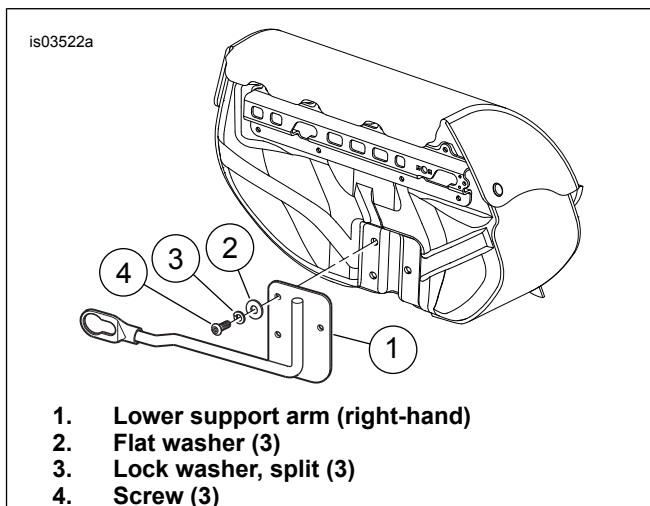


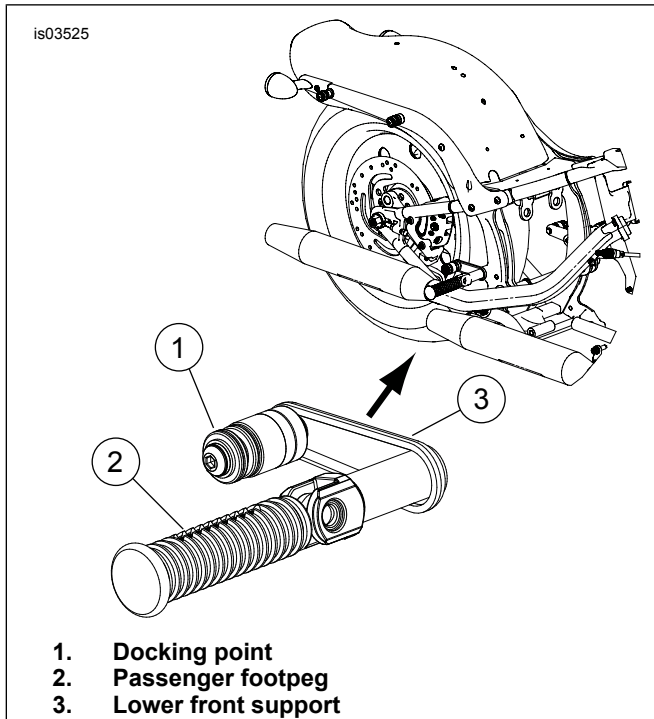
Figure 2. Install Lower Support Arm

Install Lower Front Docking Point

NOTE

See Figure 3. Install docking point components onto lower front support before installing lower front support onto vehicle. Make sure all spacers and mini docking points are aligned before continuing.

Installation of lower front docking point needs to be done one side at a time to prevent the Loctite from curing prematurely.



1. Docking point
2. Passenger footpeg
3. Lower front support

Figure 3. Lower Front Support and Docking Point

NOTE

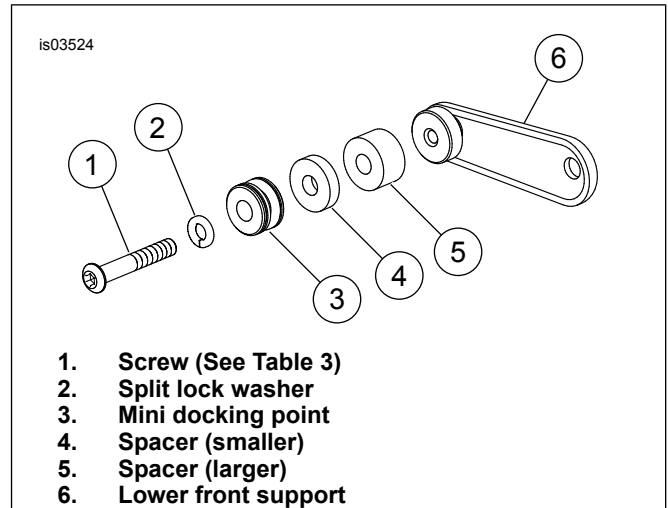
Table 2 provides a list of the lower front docking point screws for the different accessory combinations.

Table 2. Lower Front Docking Point Screws (5/16-18 x)

Accessory Configuration (Short Description)	Screw Length	Part Number
FL Outer (Right/Left Side)	57.2 mm (2.25 in)	4670
FL Inner (Right/Left Side)	44.4 mm (1.75 in)	4739A
FL Rigid (Right/Left Side)	44.4 mm (1.75 in)	4739A
FX Outer (Right/Left Side)	57.2 mm (2.25 in)	4670
FX Inner (Right/Left Side)	44.4 mm (1.75 in)	4739A
FX Rigid (Right/Left Side)	44.4 mm (1.75 in)	4739A
FXSTC Stock (Right/Left)	50.8 mm (2.00 in)	90563-94

NOTE

Figure 4 shows a typical lower front docking point configuration. Refer to Service Parts (Figure 7 and Figure 8) and Table 3 for the specific components for your accessory configuration.



1. Screw (See Table 3)
2. Split lock washer
3. Mini docking point
4. Spacer (smaller)
5. Spacer (larger)
6. Lower front support

Figure 4. Lower Front Docking Point (Typical)

2003-Later FLST/C and 2003-2005 FX Softail Models (Except FXSTD)

With Other Detachable Accessories (FL Outer):

NOTE

2008 and later models do not require the 9 mm (0.355 in) spacer on left side.

1. See Figure 7. Install split lockwasher (4), mini docking point (5), spacer (6) (9 mm (0.355 in) on left side only) and spacer (8) (14.2 mm (0.558 in)) onto screw (3).
2. Apply Loctite 243 - Blue to threads of screw (3).
3. While keeping spacer(s), docking point and lockwasher centered and aligned with each other, install screw into threaded portion of lower front support (9). Tighten screw to 16.3–24.4 N·m (12–18 ft-lbs).

Without Other Detachable Accessories (FL Inner):

NOTE

2008 and later models do not require the 9 mm (0.355 in) spacer on left side.

1. See Figure 7. Install split lockwasher (4), mini docking point (5) and spacer (6) (9 mm (0.355 in) on left side only) onto screw (3).
2. Apply Loctite 243 - Blue to threads of screw (3).
3. While keeping spacer(s), docking point and lockwasher centered and aligned with each other, install screw into threaded portion of lower front support (9). Tighten screw to 16.3–24.4 N·m (12–18 ft-lbs).

With Rigid-Mounted Accessories (FL Rigid):

NOTE

2008 and later models do not require the 9 mm (0.355 in) spacer on left side.

1. See Figure 7. Install split lockwasher (4), mini docking point (5), spacer (7) (3 mm (0.120 in)) and spacer (6) (9 mm (0.355 in)) on left side only) onto screw (3).
2. Apply Loctite 243 - Blue to threads of screw (3).
3. While keeping spacer(s), docking point, and lockwasher centered and aligned with each other, install screw into threaded portion of lower front support (9). Tighten screw to 16.3–24.4 N·m (12–18 ft-lbs).

2006-Later FX Softail Models (Except FXSTD)

With Other Detachable Accessories (FX Outer):

NOTE

2008 and later models do not require the 6.1 mm (0.241 in) or 4.9 mm (0.192 in) spacers.

1. See Figure 8. Install split lockwasher (4), mini docking point (5), spacer (6) (6.1 mm (0.241 in) on right side, 4.9 mm (0.192 in) on left side) and spacer (8) 14.2 mm (0.558 in) onto screw (3).
2. Apply Loctite 243 - Blue to threads of screw (3).
3. While keeping spacer(s), docking point, and lockwasher centered and aligned with each other, install screw into threaded portion of lower front support (9). Tighten screw to 16.3–24.4 N·m (12–18 ft-lbs).

Without Other Detachable Accessories (FX Inner):

NOTE

2008 and later models do not require the 6.1 mm (0.241 in) or 4.9 mm (0.192 in) spacers.

1. See Figure 8. Install split lockwasher (4), mini docking point (5) and spacer (6) (6.1 mm (0.241 in) on right side, 4.9 mm (0.192 in) on left side) onto screw (3).
2. Apply Loctite 243 - Blue to threads of screw (3).
3. While keeping spacer(s), docking point and lockwasher centered and aligned with each other, install screw into threaded portion of lower front support (9). Tighten screw to 16.3–24.4 N·m (12–18 ft-lbs).

With Rigid-Mounted Accessories (FX Rigid):

NOTE

2008 and later models do not require the 6.1 mm (0.241 in) or 4.9 mm (0.192 in) spacers.

1. See Figure 8. Install split lockwasher (4), mini docking point (5), spacer (7) (3 mm (0.120 in)) and spacer (6) (6.1 mm (0.241 in) on right side, 4.9 mm (0.192 in) on left side) onto screw (3).
2. Apply Loctite 243 - Blue to threads of screw (3).

3. While keeping spacer(s), docking point, and lockwasher centered and aligned with each other, install screw into threaded portion of lower front support (9). Tighten to 16.3–24.4 N·m (12–18 ft-lbs).

2007-Later FXSTC With Stock Upright

FXSTC Stock:

NOTE

2008 models do not require the 6.1 mm (0.241 in) or 4.9 mm (0.192 in) spacers.

1. See Figure 8. Install split lockwasher (4), mini docking point (5), spacer (6) (6.1 mm (0.241 in) on right side, 4.9 mm (0.192 in) on left side) and spacer (7) 7.5 mm (0.297 in)) onto screw (3).
2. Apply Loctite 243 - Blue to threads of screw (3).
3. While keeping spacer(s), docking point and lockwasher centered and aligned with each other, install screw into threaded portion of lower front support (9). Tighten screw to 16.3–24.4 N·m (12–18 ft-lbs).

Install Passenger Footpeg Components

1. See Figure 5. Remove clevis pin (1) and retainer ring (2) securing passenger footpeg (3) and spring washer (4) to footpeg support (5).

NOTE

On some models, the passenger footpeg is secured with screw, spring washer and locknut.

2. Remove screw (6) that fastens footpeg support to motorcycle frame, using an extended T-50 TORX[®] drive head.
3. Insert screw (6) through footpeg support (5) and through large hole in lower front support (7).
4. Install star washer (8) onto screw on frame side of lower front support (7), and apply Loctite 243 - Blue to screw threads.
5. Install screw (6) into hole in motorcycle frame, but do not tighten at this time.

NOTE

The detachable saddlebag must be installed immediately after completing the above task to prevent the Loctite from curing before the footpeg screw is tightened to the specified torque.

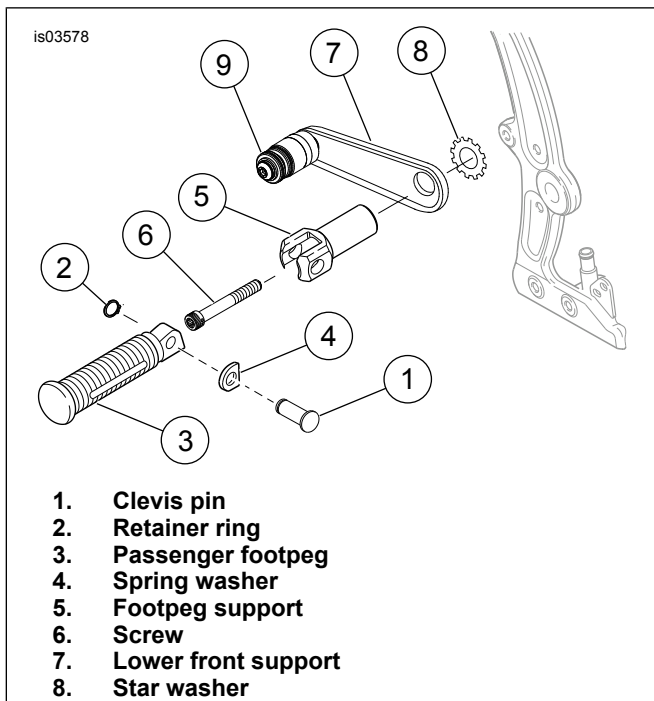


Figure 5. Install Passenger Footpeg

Saddlebag Installation

NOTE

Installation of saddlebag (including saddlebag adjustments) needs to be done one side at a time to prevent the Loctite from curing prematurely.

- See Figure 9. Open the saddlebag.
- Pull on knob (3) (located in upper rear corner inside saddlebag) and rotate it towards rear of saddlebag (clockwise for left-side saddlebag, counterclockwise for right-side saddlebag).
- Approach the motorcycle with the saddlebag tipped slightly forward and insert the large diameter of the keyhole end of the lower support arm (8, 9) over the lower front mini docking point.
 - The thickness of the end of the lower support arm should engage in the reduced diameter plastic groove of the mini docking point at the lower front docking point location.
 - FL Outer and FX Outer configurations:** See Table 2. Swing body of saddlebag down so the outer mini docking points, which are stacked on top of the standard docking points on fender support cover (strut cover), slide into slots of bracket on back of saddlebag.
 - FL Inner, FX Inner, FL Rigid, FX Rigid and FXSTC configurations:** See Table 2. Swing body of saddlebag down so the standard docking points on fender support cover (strut cover) slide into slots of bracket on back of saddlebag.
- Slide the saddlebag forward on the motorcycle making sure it is fully seated into all three docking points.

Adjust Lower Front Docking Point

NOTE

The lower front docking point may require some adjustment to obtain the alignment necessary to slide the saddlebag all the way forward.

- See Figure 9. With the saddlebag as far forward as possible, rotate the latch knob toward the front of the bag (counterclockwise for left side saddlebag, clockwise for right side saddlebag). If the bag is seated properly, the knob should pop back in. Look behind the bag and make sure that the latch is in the closed position.
- See Figure 7 or Figure 8. Rotate lower front support (9) (with spacer(s) and mini docking point installed) so the lower front mini docking point (5) is fully seated into the smaller diameter of saddlebag lower support arm keyhole slot.
 - Rotate footpeg support (A) so the footpeg slot angles up toward the rear at a 10-15 degree angle from vertical.
 - While holding lower front support (9) to prevent rotation, tighten screw to 47.5–61 N·m (35–45 ft-lbs) using an extended T-50 TORX drive head.
- If the lower front docking point is still not fully seated, adjust the saddlebag arm to make the final adjustments.
 - Move lower support arm fore/aft until docking point is fully seated.
 - Tighten three lower support arm screws (from inside the saddlebag) to 6.8–10.2 N·m (60–90 in-lbs).

Install Passenger Footpeg

See Figure 5. Install passenger footpeg on footpeg support using clevis pin (1), spring washer (4) and retainer ring (2).

NOTE

On some models, the passenger footpeg is secured with screw, spring washer and locknut. The spring washer goes between the jaws of the footpeg support along with the mounting end of the footpeg. Tighten locknut to 13.6–21.7 N·m (10–16 ft-lbs).

Install Reflectors

NOTE

Ambient temperature should be **at least** 16 °C (60 °F) for proper adhesion of the reflectors to the reflector mounts.

Do not remove the liner until ready to apply the reflector.

▲ WARNING

Federal Motor Vehicle Safety Standard (FMVSS) 108 requires motorcycles to be equipped with rear and side reflectors. Be sure rear and side reflectors are properly mounted. Poor visibility of rider to other motorists can result in death or serious injury. (00336b)

- See Figure 6. Position reflector mount (1) in center of saddlebag.

2. Mark holes on saddlebag with pen or other suitable tool.

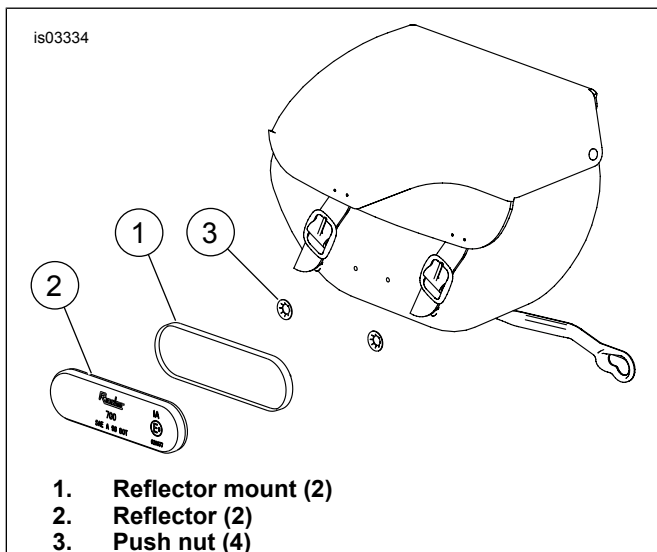


Figure 6. Install Reflectors

3. Clean the surface of the reflector mount (1) where reflector will be installed with soapy water or a mixture of 50-70% isopropyl alcohol and 30-50% distilled water. Allow to dry thoroughly.
4. Remove the liner from the adhesive backing of the reflector (2). Carefully position the reflector to the reflector mount, and press firmly into place. Hold the reflector in position with steady pressure for at least one minute.
5. Using a suitable tool, make two 3/16 in. holes in saddlebag at locations marked in Step 2.
6. Install reflector mount (1) on saddlebag using two push nuts (3). The push nuts are installed from inside the saddlebag.

NOTE

Allow **AT LEAST 24 hours** after applying the reflector before exposing the area to vigorous washing, strong water spray or extreme weather.

The adhesive bond will increase to maximum strength after about 72 hours at normal room temperature.

Install Opposite Lower Front Docking Point and Saddlebag

After completing the installation for one side of the motorcycle, repeat the same tasks to install the lower front docking point and saddlebag on the opposite side.

See Table 2, Figure 10, and Table 6. Pay close attention to the sizes of the screws and spacers used for the lower docking points.

Final Assembly

NOTE

Verify that the ignition/light key switch is in the **OFF** position **before** installing the main fuse/attaching the battery cables.

1. Verify that the ignition/key switch is turned to the OFF position. **Models with main fuse:** Refer to the service manual and follow the instructions given to install the main fuse. **Models with main circuit breaker:** Apply a light coat of Harley-Davidson electrical contact lubricant (H-D Part Number 99861-02), petroleum jelly or corrosion retardant material to the battery terminals. Refer to the service manual and follow the instructions given to attach the battery cables (positive cable first).

▲ WARNING

Connect positive (+) battery cable first. If positive (+) cable should contact ground with negative (-) cable connected, the resulting sparks can cause a battery explosion, which could result in death or serious injury. (00068a)

▲ WARNING

After installing seat, pull upward on seat to be sure it is locked in position. While riding, a loose seat can shift causing loss of control, which could result in death or serious injury. (00070b)

2. Refer to the service manual, and follow instructions to install the seat.

MAINTENANCE

Docking Point Screws

NOTICE

Failure to tighten hardware to the specified torque could result in damage to the installed accessory. (00508b)

After 500 miles of on road use with the saddlebags installed, it is necessary to check the torque on the docking point mounting screws. Check to make sure the proper torque is maintained and tighten screws if necessary.

- Upper docking point screws, 28.5–36.6 N·m (21–27 ft-lbs).
- Lower front docking point screws, 16.3–24.4 N·m (12–18 ft-lbs).
- Saddlebag lower support arm screws, 6.8–10.2 N·m (60–90 in-lbs).

Saddlebag Docking Points

NOTE

In time, the docking points may wear causing the saddlebag connections to become loose. The fit may be tightened using the following procedure:

1. Remove docking hardware (screws).
2. Clean threadlocker residue off of screw threads.
3. Apply Loctite 243 - Blue to last four threads of docking point screws.
4. Install screws loosely for now.
5. Rotate docking points clockwise approximately 45° from their previous position.
6. Tighten the docking hardware as follows.
 - 28.5–36.6 N·m (21–27 ft-lbs) for upper docking points.
 - 16.3–24.4 N·m (12–18 ft-lbs) for lower front docking points.

- Repeat as required, up to three adjustments. After the third adjustment, new docking points must be installed.

care kit. Additional jars are available from a Harley-Davidson dealer (H-D Part Number 98261-91V).

Saddlebag Care

Apply the Harley-Davidson Genuine Leather Dressing included with the saddlebag according to the instructions in the leather

Saddlebag Snaps

Periodically oil snaps using a small amount of motor oil or all-purpose household oil.

SERVICE PARTS

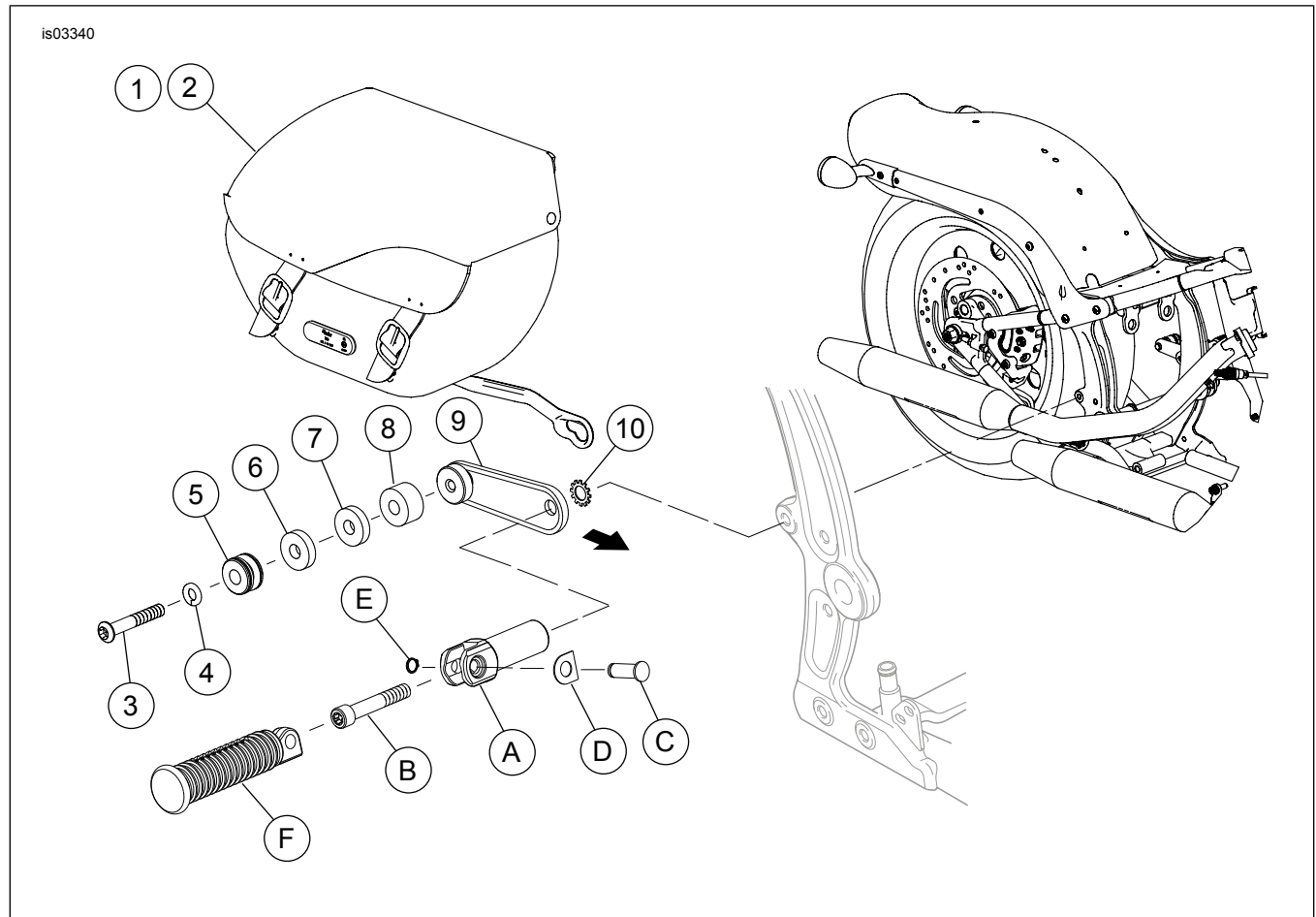


Figure 7. Service Parts: 2003-Later FLST/C and 2003-2005 FX Softail (Except FXSTD) Detachable Saddlebag Kit

Table 3. Service Parts: 2003-Later FLST/C and 2003-2005 FX Softail (Except FXSTD) Detachable Saddlebag Kit

Item	Description (Quantity)	Part Number	Item	Description (Quantity)	Part Number
1	Saddlebag assembly, right	88252-07	10	Washer, star	7145W
2	Saddlebag assembly, left	88253-07	Original equipment parts, not included in kit:		
3	Screw, button head	See Table 2	A	Support, footpeg	
4	Lockwasher, split	7041	B	Screw, Torx	
5	Docking point, mini	88229-07	C	Clevis pin	
6	Spacer, 0.355 in. (left side only) <i>Note: Not required on 2008 models.</i>	6465	D	Washer, spring	
7				Spacer, 0.120 in (FL Rigid only)	Not Sold Separately (Part of Docking Kit 88298-07)
8	Spacer, 0.558 in (FL Outer only)	Not Sold Separately (Part of Docking Hardware Kit 88256-07)	F	Footpeg, passenger	E Ring, re-tainer
9	Support lower front	88300-07			

SERVICE PARTS

is03340

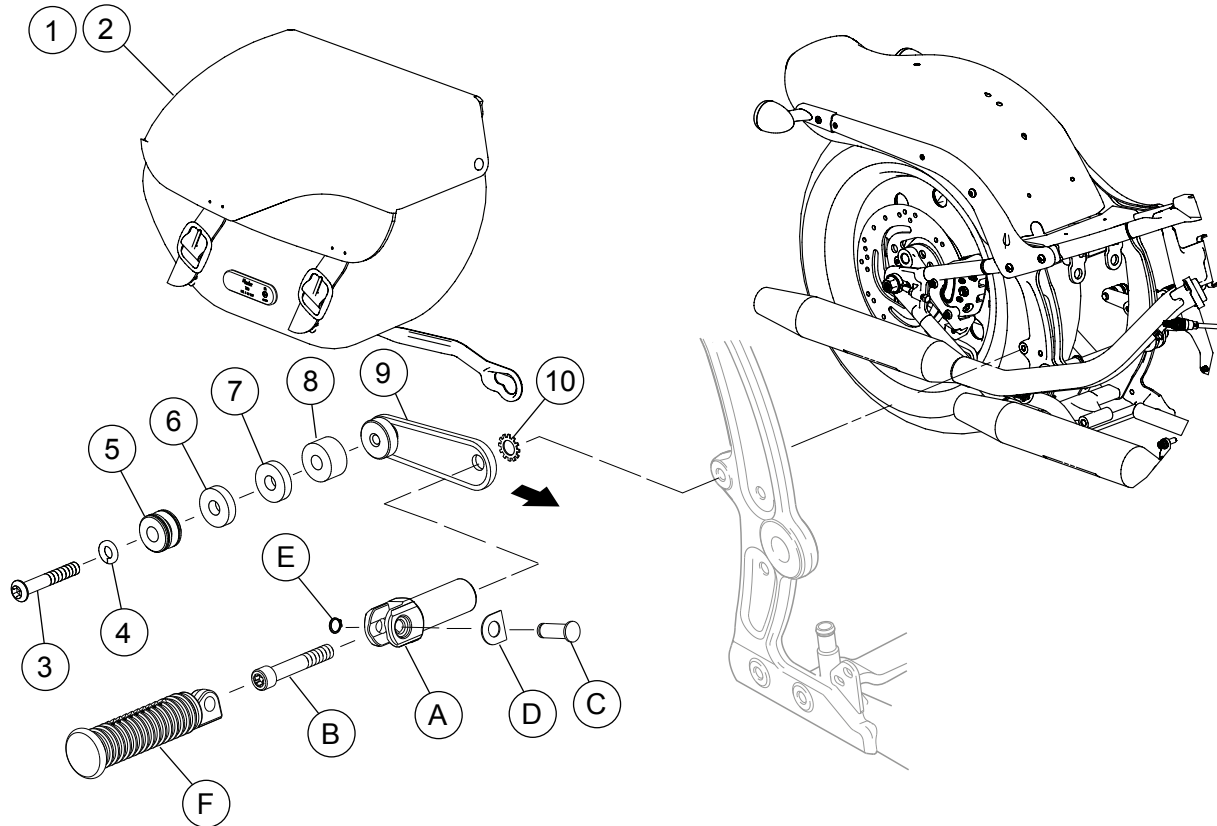


Figure 8. Service Parts: 2006-Later FX Softail (Except FXSTD) Detachable Saddlebag Kit

Table 4. Service Parts: 2006-Later FX Softail (Except FXSTD) Detachable Saddlebag Kit

Item	Description (Quantity)	Part Number	Item	Description (Quantity)	Part Number
1	Saddlebag assembly, right	88252-07	9	Support, lower front	88300-07
2	Saddlebag assembly, left	88253-07	10	Washer, star	7145W
3	Screw, button head	See Table 2	Original equipment parts, not included in kit:		
4	Lockwasher, split	7041	A	Support, footpeg	
5	Docking point, mini	88229-07	B	Screw, TORX	
6	Spacer, 0.192 in (left side) <i>Note: Not required on 2008 models.</i>	6571	C	Clevis pin	
	Spacer, 0.241 in (right side) <i>Note: Not required on 2008 models.</i>	6468	D	Washer, spring	
7	Spacer, 0.120 in (FX Rigid only)	Not Sold Separately (Part of Docking Kit 88298-07)	E	Retainer ring	
	Spacer, 0.297 in (FXSTC Stock only)	Not Sold Separately (Part of FXSTC Saddlebag Docking Kit 88297-07)	F	Footpeg, passenger	
8	Spacer, 0.558 in (FX Outer only)	Not Sold Separately (Part of Docking Hardware Kit 88256-07)			

SERVICE PARTS

Table 5. Service Parts: Softail Detachable Saddlebag Kits (All)

Item	Description (Quantity)	Part Number
1	Saddlebag assembly, right (includes Items 3-7)	88252-07
2	Saddlebag assembly, left (includes Items 3-7)	88253-07
3	Knob, latch (2)	See Service Kit
4	Spacer, sleeve (2)	See Service Kit
5	Spring, compression (2)	See Service Kit
6	Latch (2)	See Service Kit
7	Pin (2)	See Service Kit
8	Arm, lower support, right	See Service Kit
9	Arm, lower support, left (not shown)	See Service Kit
10	Screw, 5/16-18 x 7/8 in (3)	4359
11	Lockwasher, split 5/16 in (3)	7041
12	Washer, support arm (3)	6333
13	Adapter, rear docking (2)	88251-07
14	Screw, #10 x 5/8 in (2)	4620
15	Nut, Nylock #10 (2)	7624
16	Reflector (2)	59270-10
17	Mount, reflector (2)	Not Sold Separately
18	Push nut (4)	8126A
19	Clip, buckle, male end (4)	88295-07
20	Clip, buckle, female end (4)	Not Sold Separately
21	Upper docking point slots	Reference Only
22	Lower support arm keyhole slot	Reference Only
23	Set-screw, #10-24 x 1/4 in.	10200139
24	O-ring	11900007
25	Label, lock/unlock, left	Not Sold Separately
26	Label, lock/unlock, right	Not Sold Separately
Note: Rear docking adapter and mounting hardware (Items 13-15) are installed with FL Inner, FX Inner and FXSTC only.		
Service Kits:		Kit Number
Latch Spring Kit, includes Items 3-7 and 23-26.		88257-07B
Lower Support Arm Kit, Right, includes Items 8, 10-12 (used on 88237-07, see Table 1).		88258-07
Lower Support Arm Kit, Left includes Items 9-12 (used on 88237-07, see Table 1).		88259-07
Lower Support Arm Kit, Right, includes Items 8, 10-12 (used on 88238-07, see Table 1).		88260-07
Lower Support Arm Kit, Left, includes Items 9-12 (used on 88238-07, see Table 1).		88330-07
Reflector Kit, includes Items 16-18.		59480-04A

SERVICE PARTS

is03585b

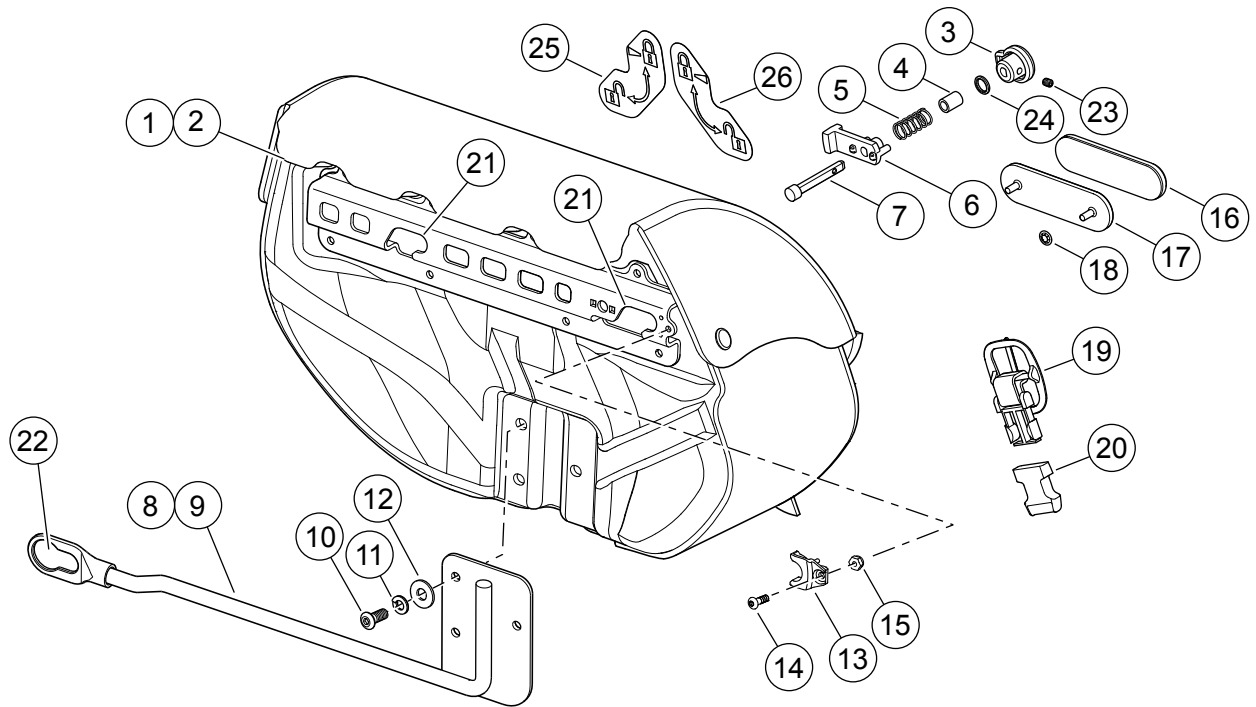


Figure 9. Service Parts: Softtail Detachable Saddlebag Kits (All)

is03579

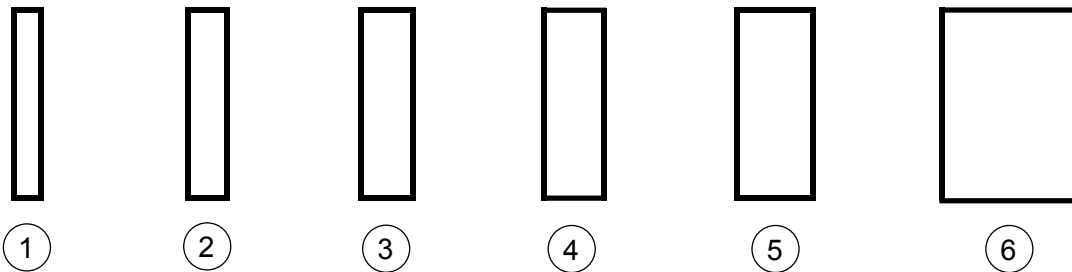


Figure 10. Docking Point Spacers (Edge View)

Table 6. Docking Point Spacers (Edge View)

Item	Part Number	Decimal Thickness (inch)	Fractional Thickness (inch)	Part of Kit Number
1	Not Sold Separately	0.120	1/8	88298-07
2	6571	0.192	3/16	88238-07
3	6468	0.241	1/4	88238-07
4	Not Sold Separately	0.297	5/16	88297-07
5	6465	0.355	3/8	88237-07
6	6472	0.558	9/16	88256-07