



INSTRUCTIONS

J05319

2014-06-30



H-D DETACHABLES FLD SIDEPLATES

GENERAL

Kit Number

52300070A

Models

For model fitment information, see the P&A Retail Catalog or the Parts and Accessories section of www.harley-davidson.com (English only).

NOTE

This kit is designed to be used ONLY with Genuine Harley-Davidson sissy bar uprights.

Installation Requirements

Loctite® 262 (red) (Part Number 94759-99) is required for the proper installation of this kit.

Separate purchase of additional parts or accessories may be required for proper installation of this H-D® Detachables™ Kit. See the P&A retail catalog or the Parts and Accessories section of www.harley-davidson.com (English only) for a list of required parts or accessories.

⚠ WARNING

Rider and passenger safety depend upon the correct installation of this kit. Use the appropriate service manual procedures. If the procedure is not within your capabilities or you do not have the correct tools, have a Harley-Davidson dealer perform the installation. Improper installation of this kit could result in death or serious injury. (00333b)

NOTE

This instruction sheet references service manual information. A service manual for your model motorcycle is required for this installation and is available from a Harley-Davidson Dealer.

⚠ WARNING

After installing sissy bar/sideplate assembly, pull upward to be sure it is locked in position. While riding, a loose sissy bar/sideplate assembly can shift causing loss of control, which could result in death or serious injury. (00388a)

Kit Contents

See Figure 4 and Table 1.

INSTALLATION

Sissy Bar Installation to Sideplates and Docking Points

1. See Figure 4 and Table 1. Insert the legs of the sissy bar upright (A) all the way into the channels (B) of the sideplates (1 and 2) as shown.
2. Apply a few drops of Loctite 262 - Red to the threads of the button head screws (4). Thread the screws into the holes in the sideplate channels, and tighten to 11–14 N·m (96–120 in-lbs).
3. See Figure 1. Place the left-side and right-side front sideplate notches (2) into the front docking points on the fender supports. See Figure 2 for views of correct and incorrect sideplate engagement.

NOTE

Failure to properly align the front docking points and sideplates may result in damage to the rear docking points.

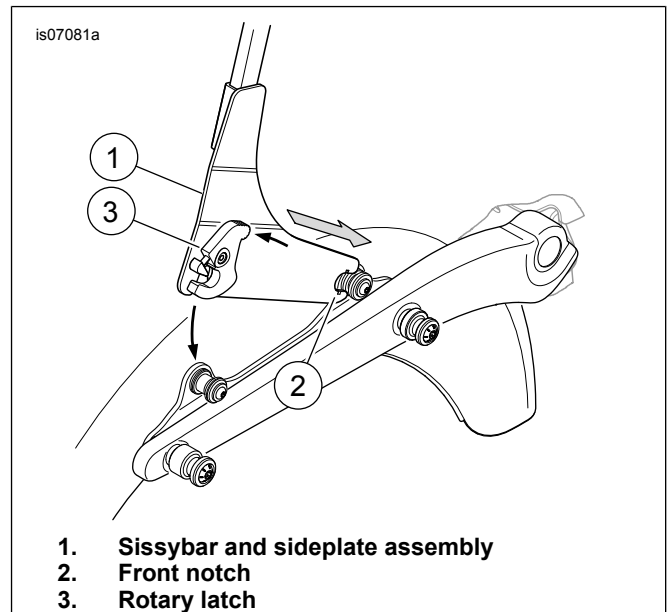


Figure 1. Installing Front Sideplate Notch to Docking Point

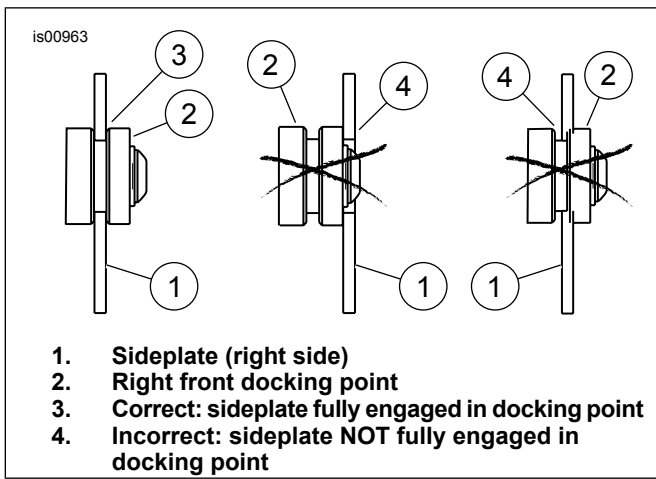


Figure 2. Sideplate Fit to Front Docking Points

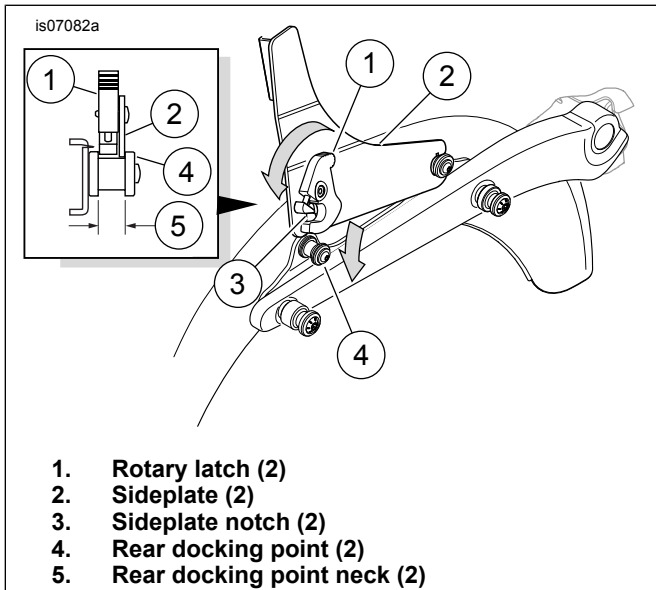


Figure 3. Lower Rear Notches Onto Rear Docking Points

4. See Figure 3. Position the rotary latches (1) over the rear docking points (4). Pull the rotary latches (1) back to their rearmost position as shown. Check to be sure the sideplate notches (3) and latches fit into the neck (5) of the rear docking points as shown. This may require some gentle squeezing or spreading of the sideplates (2).
5. Push the rear of the sideplates downward and close the rotary latches by pressing the latch levers as far forward as they will go (see Figure 4). A "CLICK" will be heard when the latches are in place. If the latches do not easily close, do not force. Check the sissy bar alignment again, as described in steps 3 and 4.
6. To remove the sissy bar and sideplate assembly, press the release button (1) on each side and pull the latch levers back. Carefully lift the rear of the sideplates up and pull the sissy bar assembly out of the front docking points.

SERVICE PARTS

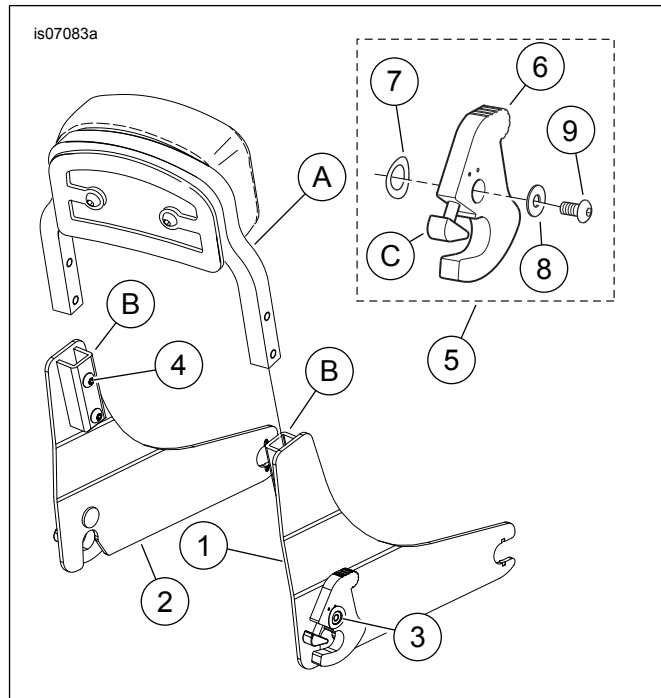


Figure 4. Service Parts: H-D Detachables FLD Sideplates

Table 1. Service Parts

Item	Description (Quantity)	Part Number
1	Sideplate, right	Not sold separately
2	Sideplate, left	Not sold separately
3	Pivot stud (2)	Not sold separately
4	Screw, button head (4)	94592-98
5	Rotary latch kit (2) (includes items 6-9)	50300108
6	• Rotary latch assembly	Not sold separately
7	• Wave washer	6828
8	• Flat washer, stainless steel	6827
9	• Screw, button head	2957
Items mentioned in text, but not included in kit.		
A	Sissy bar upright	
B	Channel in sideplate	
C	Rotary latch release button	