



INSTRUCTIONS

J04850

2010-07-01



FL ADJUSTABLE RIDER BACKREST PIVOT REPAIR KIT

GENERAL

Kit Number

52342-09

Models

This kit is designed to replace a backrest pivot assembly, if necessary, on any of the following Adjustable Rider Backrest kits: 52593-09A, 52596-09A, 54099-10

Kit Contents

See Figure 2 and Table 1.

⚠ WARNING

Rider and passenger safety depend upon the correct installation of this kit. Use the appropriate service manual procedures. If the procedure is not within your capabilities or you do not have the correct tools, have a Harley-Davidson dealer perform the installation. Improper installation of this kit could result in death or serious injury. (00333b)

NOTE

This instruction sheet references service manual information. A service manual for your model motorcycle is required for this installation and is available from a Harley-Davidson dealer.

Removal

NOTE

When performing the following procedures, be careful not to scratch painted surfaces with metal tabs on seat.

1. Remove the backrest, seat and grabstrap (if equipped) according to service manual instructions. Save the hardware for installation.

NOTE

Recline the backrest all the way for easier disassembly and assembly.

Remove the backrest bracket assembly for easier replacement of the backrest pivot. Use the appropriate instruction sheet for procedure.

2. See Figure 1. Remove the nut (3). Save for installation.
3. Note the spring orientation and remove the bolt (4) and washers (2). Save for installation.
4. Remove the backrest pivot (1).

INSTALLATION

1. See Figure 1. Install the new backrest pivot (1) from the kit.

2. Install the bolt (4) through the backrest bracket and the backrest pivot, making sure the spring is installed correctly and the two washers (2) are inserted between the backrest bracket and the backrest pivot.
3. Install the nut (3). Tighten until threads of the bolt are exposed.
4. See Figure 2. Push the release lever (3) and verify that the pivot rotates freely.

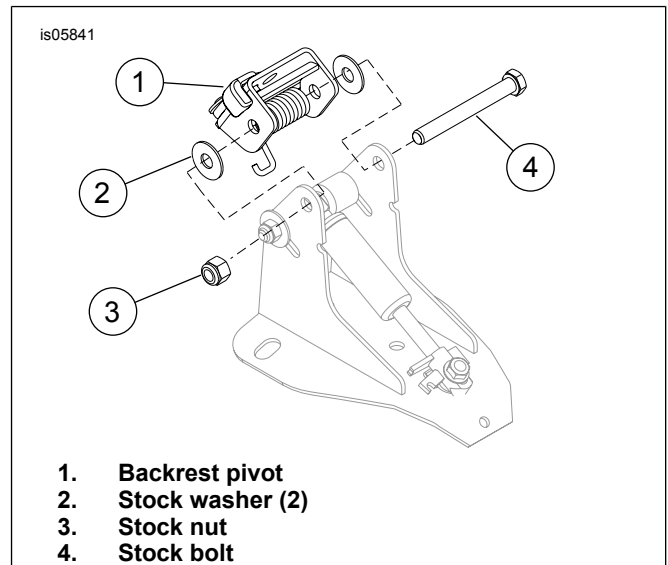


Figure 1. Install Backrest Pivot

5. If the backrest bracket was removed, attach the cable release to the cable release end of the gas spring. Carefully secure the cable to the cable release end of the gas spring with the cable strap, and install the backrest bracket assembly on the vehicle, using the appropriate kit installation instruction sheet.

⚠ WARNING

After installing seat, pull upward on seat to be sure it is locked in position. While riding, a loose seat can shift causing loss of control, which could result in death or serious injury. (00070b)

⚠ WARNING

After installing backrest, pull upward to be sure it is locked in position. While riding, a loose backrest can shift causing loss of control, which could result in death or serious injury. (00386a)

6. Install the seat, backrest and grabstrap, if equipped. See the service manual.



SERVICE PARTS

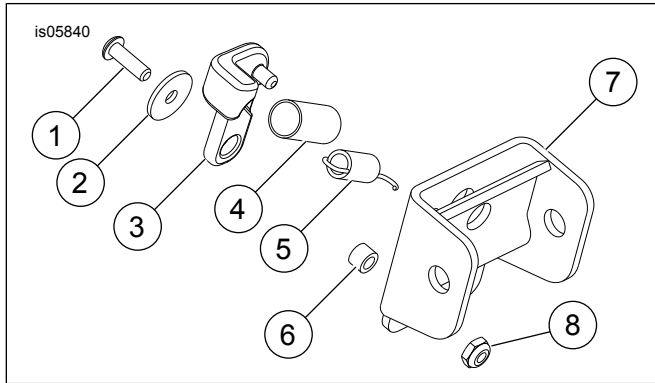


Figure 2. Service Parts: Pivot Repair Kit

Table 1. Service Parts

Item	Description (Quantity)	Part Number
1	Screw, #10-32	3151
2	Washer	6831
3	Lever, release	Not Sold Separately
4	Tube, spring cover	Not Sold Separately
5	Spring	Not Sold Separately
6	Bushing	Not Sold Separately
7	Bracket	Not Sold Separately
8	Locknut	7626W