



INSTRUCTIONS

J05652

2012-11-05



AIR WING BACKREST PAD KIT

GENERAL

Kit Number

52300302

Models

For model fitment information, see the P&A retail catalog or the Parts and Accessories section of www.harley-davidson.com (English only).

This backrest pad is designed to be used with Air Wing Detachable Uprights (Kit No. 52300146 or 52300147).

Kit Contents

See Figure 1 and Table 1.

INSTALLATION

1. See Figure 1. Remove the two screws (C) holding the chrome filler plate (B) or optional center light to the sissy bar upright (A).
2. Position the backrest pad (1) against the upright. Indentations in the back surface of the pad will aid in proper alignment to the upright tubes.

NOTE

To avoid misalignment and cross threading of screws, start all three screws into the backrest before tightening any.

3. Install the 1/4-20 screw (2) through the upper hole in the upright and into the upper hole in the backrest pad, but do not tighten.
4. Slide a washer (3) over the threads of the two #10 screws. Install the screws through the upright cross bar (D) and into the lower holes in the backrest pad, but do not tighten.
5. With the backrest aligned squarely on the upright, alternately tighten the three screws to 0.79–1.13 N·m (7–10 in-lbs).
6. Install the chrome filler plate (B) to the sissy bar upright (A) with the two screws (C) removed earlier. Tighten the screws securely. **Models with optional center light:** Install the light to the sissy bar upright (A) per the instructions in the light kit.

SERVICE PARTS

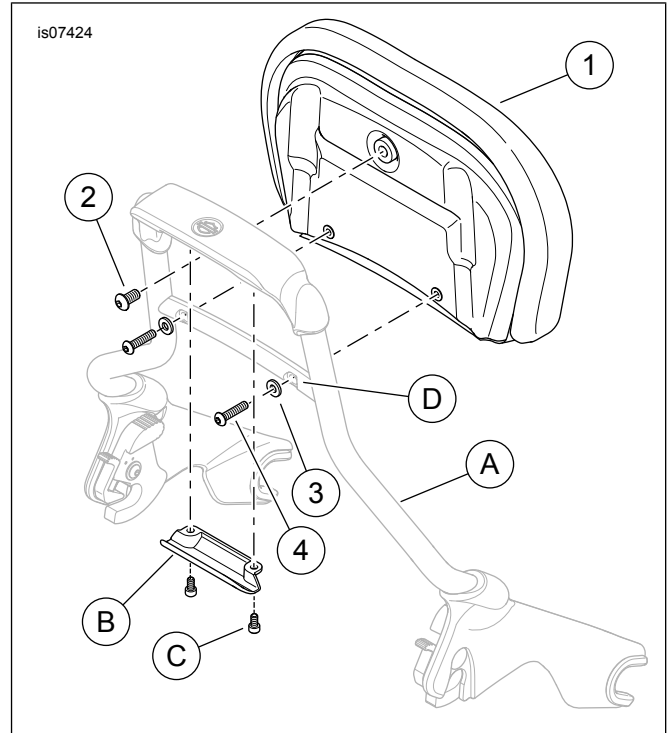


Figure 1. Service Parts, Air Wing Backrest Pad Kit

Table 1. Service Parts

Item	Description (Quantity)	Part Number
1	Backrest pad, Air Wing	Not sold separately
2	Screw, button head, 1/4-20 x 12.7 mm (1/2 in) long	10500038
3	Washer, narrow, #10 (2)	10300053
4	Screw, button head (2), #10-24 x 22.2 mm (7/8 in) long	10200230
Items mentioned in text, but not included in kit.		
A	Sissy bar upright, Air Wing	
B	Chrome filler plate or optional light	
C	Retaining screw (2)	
D	Cross bar	

