



# INSTRUCTIONS

J05244

2010-06-22



## ELECTRONIC INDUCTION MODULE ASSEMBLY KIT

### GENERAL

#### Kit Number

27200002, 27200003

#### Additional Parts Required

##### ▲ WARNING

Rider and passenger safety depend upon the correct installation of this kit. Use the appropriate service manual procedures. If the procedure is not within your capabilities or you do not have the correct tools, have a Harley-Davidson dealer perform the installation. Improper installation of this kit could result in death or serious injury. (00333b)

##### NOTE

*This instruction sheet references service manual information. A service manual for your model motorcycle is required for this installation and is available from a Harley-Davidson Dealer.*

#### Kit Contents

See Figure 1 and Table 1.

### REMOVE

1. Remove main fuse.
2. Remove fuel tank using service manual instructions.

##### NOTE

*See Figure 1, Item 1. Drive-by-wire Touring and Softail CVO models: The throttle control actuator (1) is part of the induction module and is not sold separately. Damage or failure requires complete replacement of the induction module. Also note that tampering or removing the TCA cover voids warranty.*

3. Remove INDUCTION MODULE. Follow procedures using service manual instructions. See the Service Parts Table for the items to be removed. These parts will be saved and reused on the new induction module.

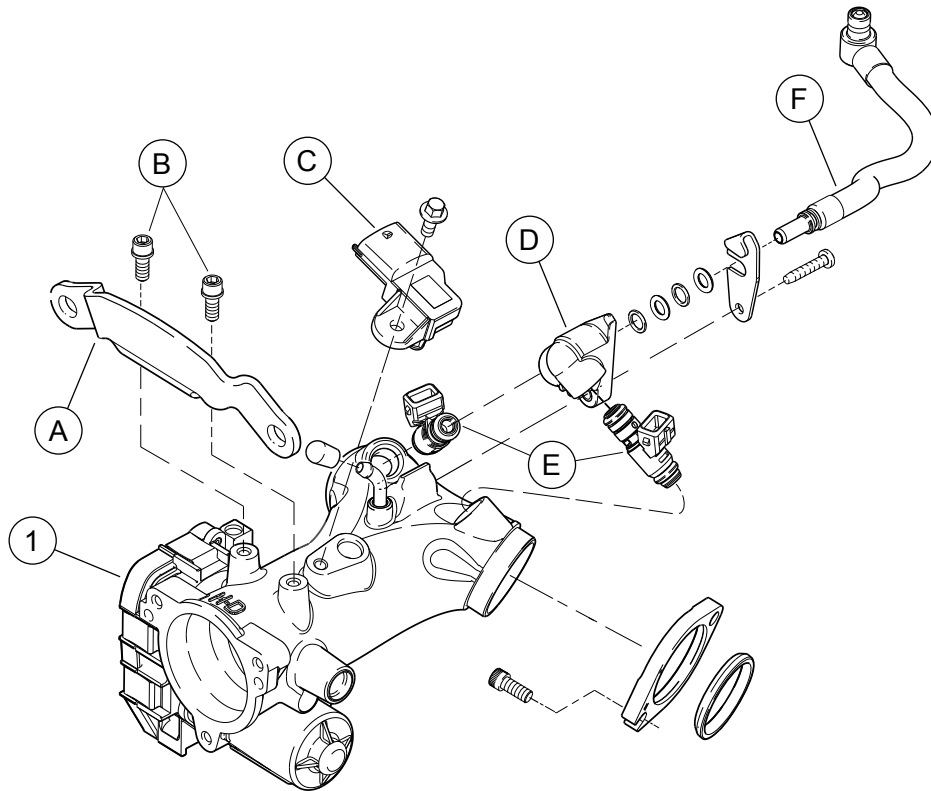
### INSTALL

1. Install INDUCTION MODULE. Follow procedures using service manual instructions. See the Service Parts Table for the parts to be reinstalled.
2. Install fuel tank using service manual instructions
3. Install main fuse.



# SERVICE PARTS

is06640



**Figure 1. Service Parts: Electronic Induction Module**

**Table 1. Service Parts Table**

Kit	Item	Description (Quantity)	Part Number
Kit 27200002 Electronic Induction Module Assembly	1	Induction module, finished, machined	27710-11
Kit 27200003 Electronic Induction Module Assembly	1	Induction module, finished, machined	27710-08B
<b>Service kit items common to both kits:</b>			
	1	Screw, hex, flange lock (1)	1088M
	2	O-ring, metric injector (4)	27632-01
	3	O-ring, fuel tube (2)	27633-01
	4	Washer, fuel tube (2)	27634-01
	5	Bracket, tube (1)	27722-08
	6	Screw, button, TORX®/lock (1)	2743
<b>Parts to be reused:</b>			
	A	Bracket, induction module (1)	27712-08
	B	Screw (2)	4705
	C	T-MAP sensor (1)	32319-07
	D	Fuel rail (1)	27721-08
	E	Fuel injector (2)	27609-01B
	F	Fuel line (1)	62905-08A