



INSTRUCTIONS

J05500

2012-01-12



FOOTBOARD HEEL GUARD

GENERAL

Kit Number

50500225

Models

For model fitment information, see the P&A Retail Catalog or the Parts and Accessories section of www.harley-davidson.com (English only).

Kit Contents

See Figure 2 and Table 1.

INSTALLATION

1. Remove the rubber insert from right footboard. Save for later installation.
2. Remove right side OE footboard.
3. See Figure 1. Fit heel guard to foot board use the screw (7) and tab (8) to align the footboard as pictured.
4. Use the fastener tab (5) as a template to mark the drill hole location. Remove footboard and drill a 0.281 (9/32) diameter hole in footboard base.
5. Install Heel Guard to footboard using supplied hardware.
6. The rear tab should rest against the rear footboard support and fastened to the support using hardware previously removed.
7. Install rubber footboard pad.

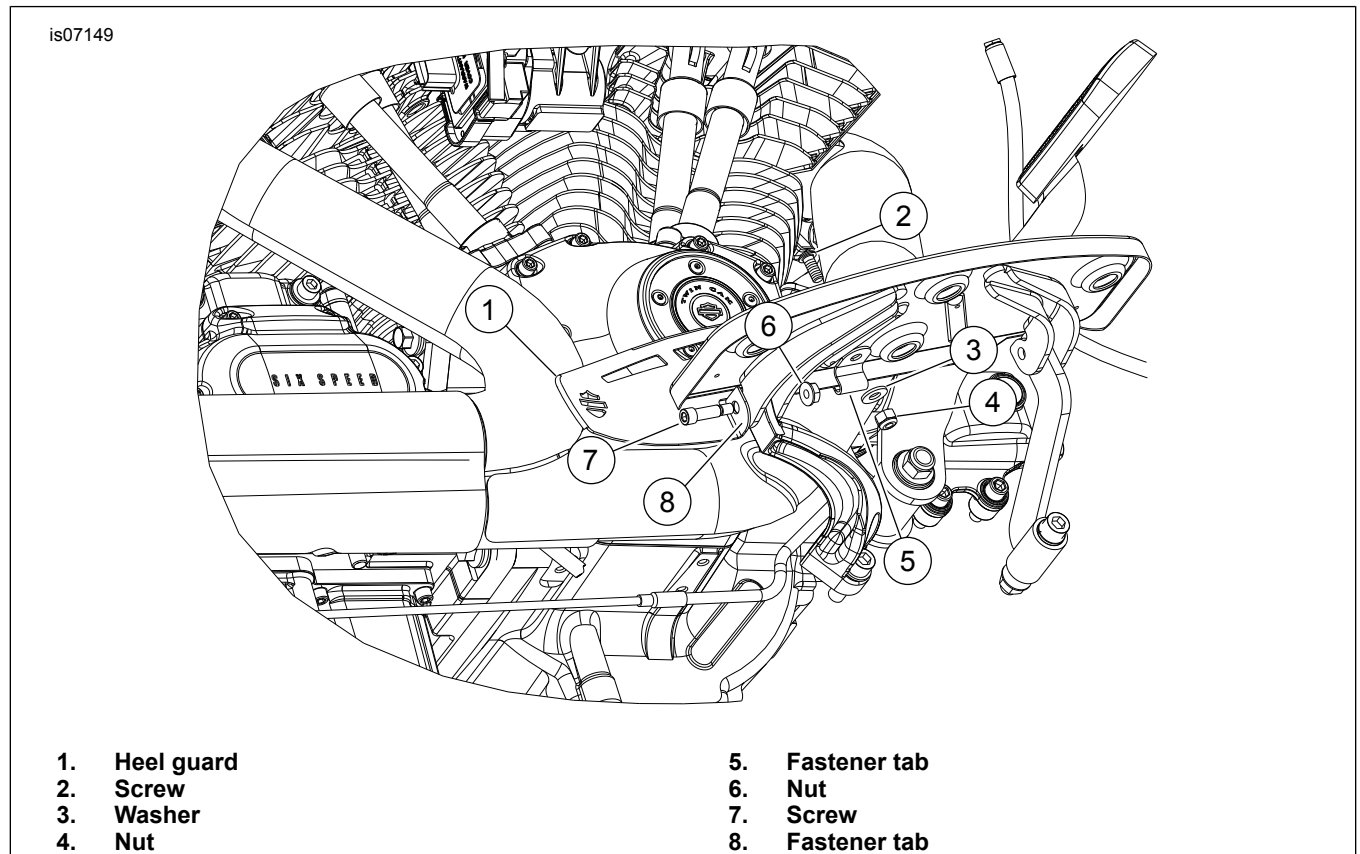


Figure 1. Installing Heel Guard to Foot Rest

SERVICE PARTS

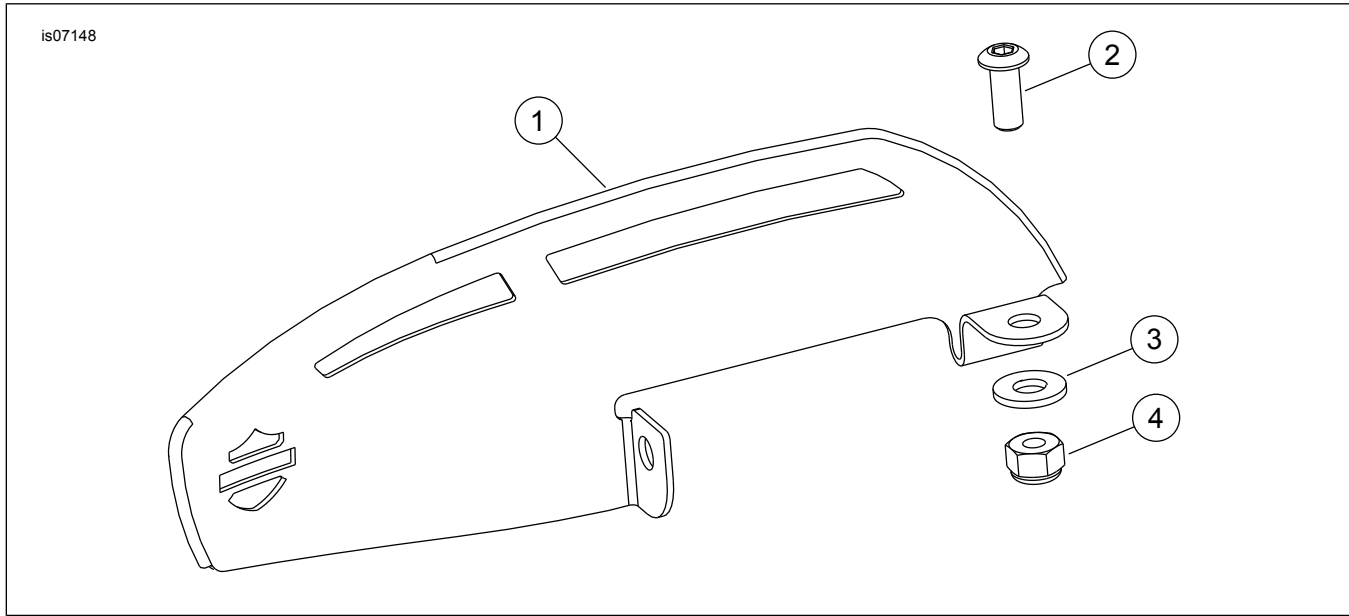


Figure 2. Service Parts: Footboard Heel Guard

Table 1. Service Parts Table

Item	Description (Quantity)	Part Number
1	Heel Guard	Not sold separately
2	Hex socket button head screw	924
3	Plain washer, type 3	6703
4	Lock nut, nylon insert	7686