



INSTRUCTIONS

J05815

2021-12-10



H-D DETACHABLE TOURING TWO-UP TOUR-PAK RACK

GENERAL

Kit Number

53000221, 53000459

Models

For model fitment information, see the P&A retail catalog or the Parts and Accessories section of www.harley-davidson.com (English only).

Installation Requirements

Separate purchase of additional parts or accessories may be required for proper installation of this H-D® Detachables™ Kit. See the P&A retail catalog or the Parts and Accessories section of www.harley-davidson.com (English only) for a list of required parts or accessories for this model.

▲ WARNING

Rider and passenger safety depend upon the correct installation of this kit. Use the appropriate service manual procedures. If the procedure is not within your capabilities or you do not have the correct tools, have a Harley-Davidson dealer perform the installation. Improper installation of this kit could result in death or serious injury. (00333b)

Kit Contents

See Figure 1 and Table 1.

REMOVE

Tour-Pak and Rack

1. With ignition turned off, disconnect any harness and wiring connected to Tour-Pak.
2. Press release button on each latch.
3. Pull latch away from docking point.
4. Lift rear of Tour-Pak rack up.
5. Pull Tour-Pak and rack out of front docking points.

INSTALL

Tour-Pak Rack

1. Install 4 point docking kit according to instructions included in that kit.
2. Figure 1 Install Tour-Pak® rack (1) to mounting studs (A) of Tour-Pak (D).
3. Secure with washers (3) and nuts (2).
4. Mounting holes of the Tour-Pak rack are slotted. Adjust position of Tour-Pak (D) on Tour-Pak rack (1).
5. Tighten nuts (2).
Torque: 6.8–8.1 N·m (60–72 in-lbs)

Tour-Pak and Rack

1. See Figure 1. Place front Tour-Pak rack notches, with bushings in place onto front docking points (B).
 - a. Make sure notch bushings (4) seat fully into front docking points.
2. Position detachable latches (6) over rear docking points (C).
 - a. Verify rack (1) sides and latches locate into rear docking points.
3. Push down rear of rack.
4. Push latch lever forward until it clicks into place.
5. If latch does not close easily, do not force. Check rack alignment.
6. Connect all Tour-Pak harnesses and wiring.
7. After installing Tour-Pak rack, verify that Tour-Pak and rack are secure.
8. Front and rear docking points must be fully engaged.

SERVICE PARTS

is07585

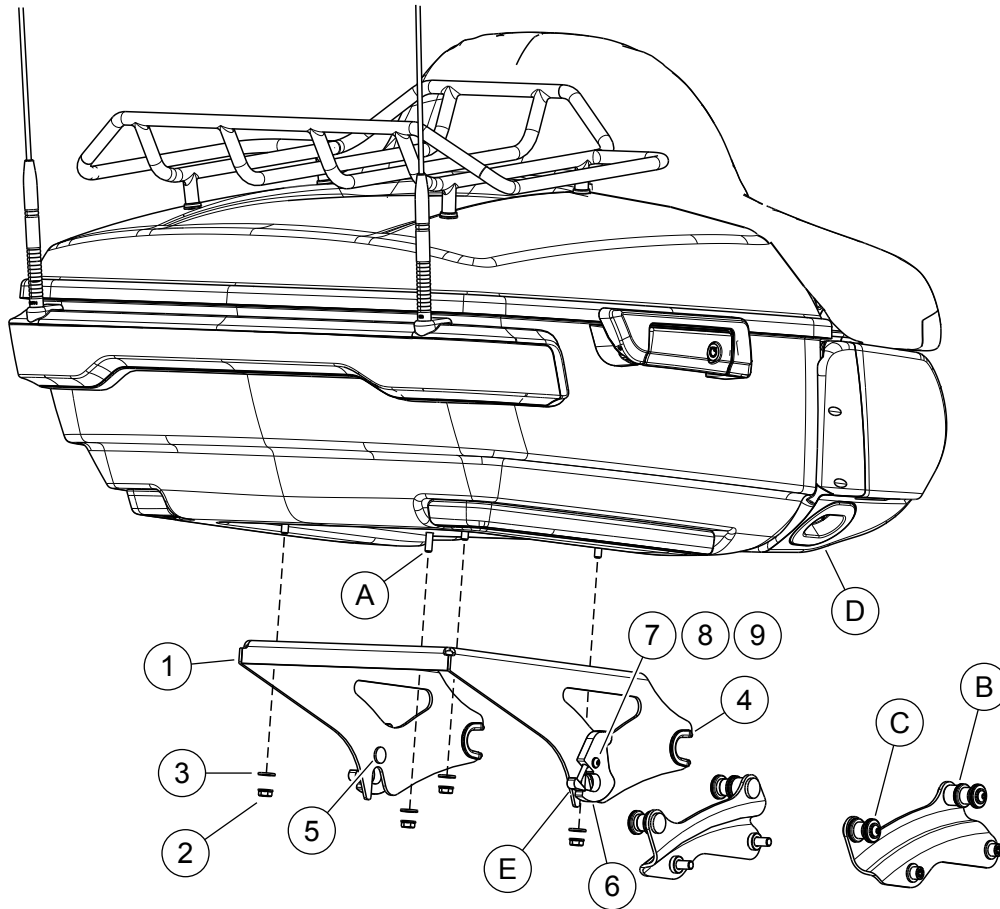


Figure 1. Service Parts: Detachable Two-Up Tour-Pak Rack

Table 1. Service Parts Table

Item	Description (Quantity)	Part Number
1	Two-up Tour-Pak rack	Not Sold Separately
2	Nut, flange locking (4)	7716
3	Washer (4)	6703
4	Bushing, docking point (2)	52682-09
5	Splined stud (2)	Not Sold Separately
6	Detachable latch kit (includes items 7 through 9) (2)	50300108
7	• Spring washer	6828
8	• Flatwasher	6827
9	• Flatwasher	2957
Items mentioned in text, but not included in kit:		
A	Mounting stud	
B	Front docking point	
C	Rear docking point	
D	Tour-Pak	
E	Release button	