



# INSTRUCTIONS

J05589

2012-02-15



## SOFT LOWER KIT

### GENERAL

#### Kit Numbers

57100210, 57100211, 57100212

#### Models

For model fitment information, see the P&A Retail Catalog or the Parts and Accessories section of [www.harley-davidson.com](http://www.harley-davidson.com) (English only).

#### Additional Parts Required

##### ⚠ WARNING

Rider and passenger safety depend upon the correct installation of this kit. Use the appropriate service manual procedures. If the procedure is not within your capabilities or you do not have the correct tools, have a Harley-Davidson dealer perform the installation. Improper installation of this kit could result in death or serious injury. (00333b)

##### NOTE

- All models require a model specific engine guard.
- Soft Lowers are not compatible with Mustache or Nostalgic style engine guards.
- This instruction sheet references Service Manual information. A Service Manual for your model motorcycle is required for this installation and is available from a Harley-Davidson Dealer.

#### Kit Contents

Table 1. Kit Contents

Description (Quantity)	Part Number
Soft lower, right side (1)	Not sold separately
Soft lower, left side (1)	Not sold separately
Amber reflectors - kit 57100210 only (2)	59256-84A

### INSTALLATION

1. See Figure 1. Locate soft lower (2) for left side. Bar and Shield should face forward and opening in soft lower should be on right side.
2. Slip soft lower on left side of engine guard.
3. Zipper (4) on the outer edge of the soft lower allows the soft lower to fit over highway footrest (3).

##### NOTE

Position strap to provide clearance to hot engine components.

4. Place the wide attaching strap around the frame downtube, do not put strap over clutch cable.

5. Slip buckle (1) on attaching strap onto mating buckle halve attached to back side of soft lower. Latch will snap into locked position when buckle is properly closed.
6. Adjust the fit by lifting the hook and loop attached strap (on rear of the soft lower) and changing length as required.
7. Repeat procedure for right side of vehicle.
8. If soft lowers cover amber reflectors mounted on frame down tubes, install reflectors included in kit.
  - a. See Figure 2. Clean areas on both sides of fender (1) where amber reflectors are to be mounted.
  - b. Remove backing paper from rear of reflector and place reflectors in position (2).

##### ⚠ WARNING

Federal Motor Vehicle Safety Standard (FMVSS) 108 requires motorcycles to be equipped with rear and side reflectors. Be sure rear and side reflectors are properly mounted. Poor visibility of rider to other motorists can result in death or serious injury. (00336b)

##### NOTE

To remove soft lowers, press latch with thumb and forefinger and gently pull buckle apart. Slide soft lower off engine guard.

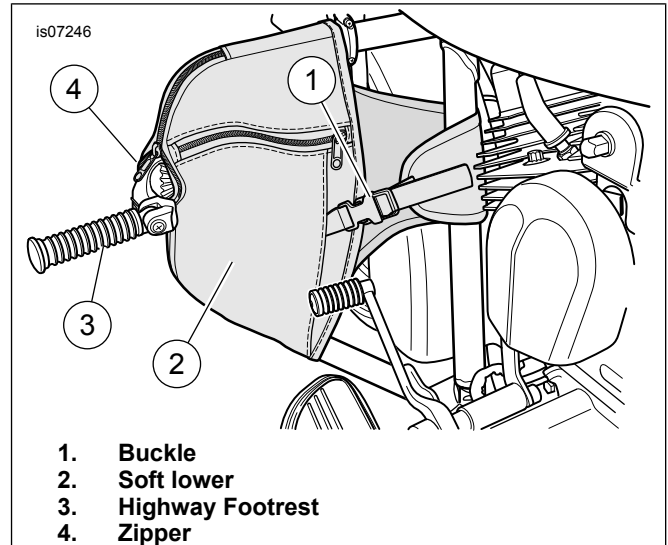
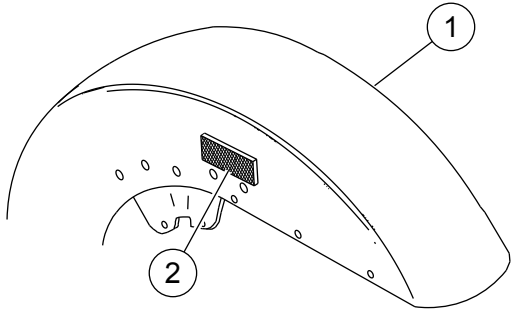


Figure 1. Soft Lower





- 1. Fender
- 2. Amber reflector location

**Figure 2. Amber Reflectors**