



INSTRUCTIONS

J05820

2014-03-20



TRIKE CHROME REAR GUARD KIT

GENERAL

Kit Number

49000069

Models

For model fitment information, see the P&A Retail Catalog or the Parts and Accessories section of www.harley-davidson.com (English only).

Tools and Supplies Required

Separate purchase of LOCTITE® 243 Threadlocker and Sealant (blue) (H-D Part Number 99642-97) is required for the proper installation of this kit.

The help of an assistant may be necessary when installing this kit.

Kit Contents

See Figure 1 and Table 1.

INSTALLATION

1. Set the vehicle parking brake, open the trunk door and remove the trunk liners.
 2. See Figure 1. Locate four screws with washers (A) in the floor of the trunk compartment that hold the body to the rear frame. Leaving the washer in place, remove one of the screws. Save screw for next step, then discard.
 3. See the inset in Figure 1. Apply LOCTITE 243 (blue) to long screws (1).
 - a. Mark the length (B) of the original screw (C) onto new long screw (1).
 - b. Apply LOCTITE 243 (blue) (D) to 10 mm (3/8 in) of the screw threads on the head side of the mark.
- NOTE*
Install all four long screws (1) before tightening any.
4. Install each long screw (1) through the washer (A) and trunk floor. Tighten to 24.4 N·m (18 ft-lbs).
- NOTE*
Orient mounting brackets as shown in Figure 1.
5. Install mounting brackets (2) onto the underside of the frame with locknuts (6) and washers (3). Tighten only enough so the bracket lightly contacts the frame.
 6. Apply LOCTITE 243 (blue) to the threads of short screws (4).
- NOTE*
Rear guard assembly installs outboard of brackets (2).
7. Lift the rear guard (7) into place. Secure with short screws (4) and washers (3). Tighten to 24.4 N·m (18 ft-lbs).
 8. Align the rear guard evenly to the contour of the lower body for best appearance and to provide clearance between the rail and vehicle body.
 9. With an assistant holding the screw heads inside the trunk, tighten the four locknuts (6) to 24.4 N·m (18 ft-lbs).
 10. Install trunk liners.



SERVICE PARTS

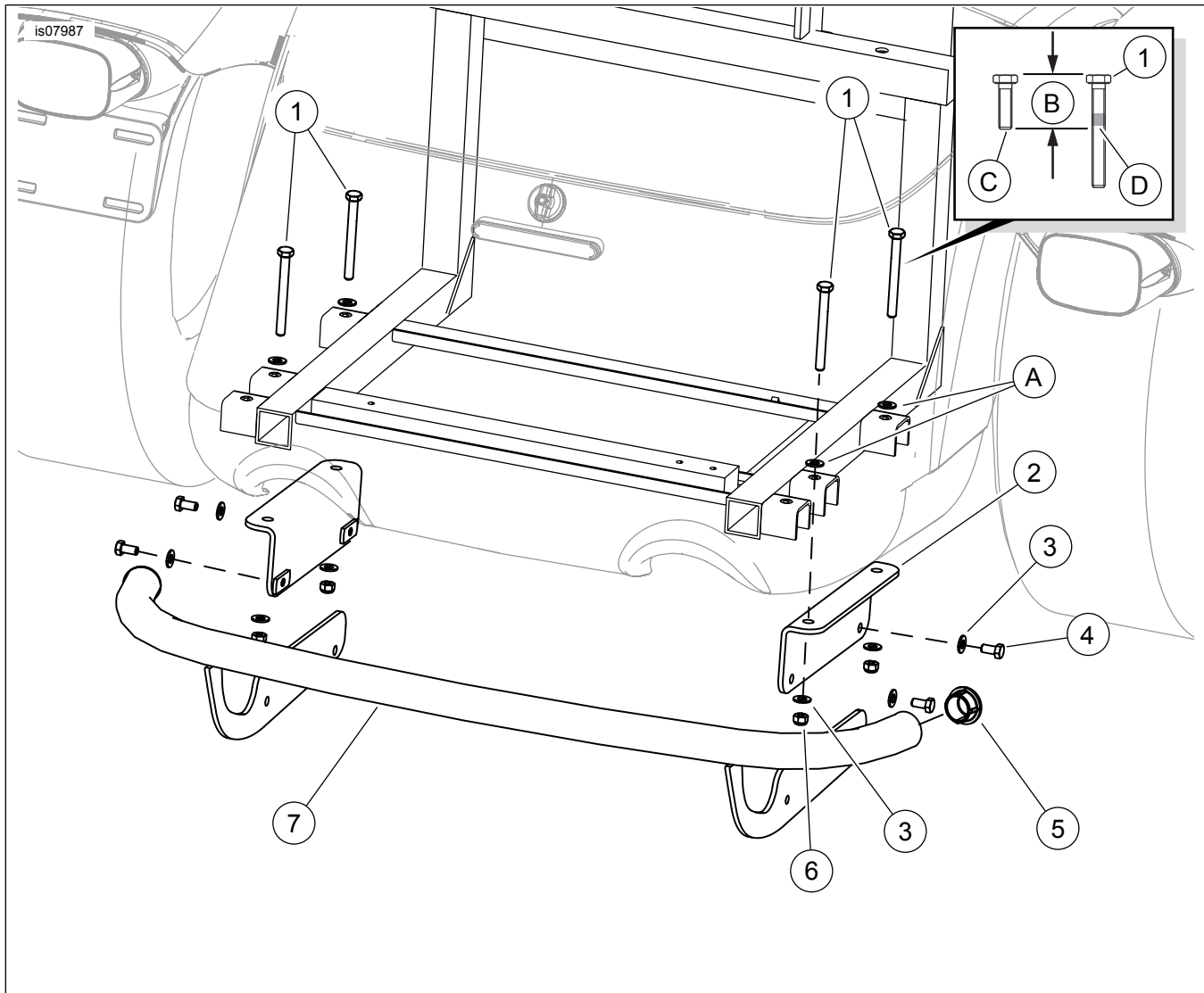


Figure 1. Service Parts: Trike Chrome Rear Guard Kit

Table 1. Service Parts

Item	Description (Quantity)	Part Number
1	Screw, long (4)	10500002
2	Bracket (2)	Not sold
3	Washer (8)	6702
4	Screw, short (4)	2882W
5	Plug (2 installed)	49000075
6	Locknut (4)	7739
7	Rear guard assembly	Not sold
Items mentioned in text, but not included in kit:		
A	Original equipment washer (4)	
B	Length of original equipment screw	
C	Original equipment screw	
D	Apply Loctite 243 (blue) to new screw	