



INSTRUCTIONS

J05510

2018-09-24



LICENSE PLATE RELOCATION KIT

GENERAL

Kit Number

67900130

Models

For model fitment information, see the P&A Retail Catalog or the Parts and Accessories section of www.harley-davidson.com (English only).

▲ WARNING

Rider and passenger safety depend upon the correct installation of this kit. Use the appropriate service manual procedures. If the procedure is not within your capabilities or you do not have the correct tools, have a Harley-Davidson dealer perform the installation. Improper installation of this kit could result in death or serious injury. (00333b)

NOTE

This instruction sheet references service manual information. A service manual for your model motorcycle is required for this installation and is available from a Harley-Davidson Dealer.

This kit is required to complete the installation of a Saddlebag Kit or Docking Hardware Kit on specific model motorcycles. See the P&A Retail Catalog or the Parts and Accessories section of www.harley-davidson.com (English only) for model fitment information and the correct Saddlebag or Docking Hardware Kit part numbers.

Kit Contents

See Figure 4 and Table 1.

REMOVAL

NOTE

Before removing turn signal wires, carefully note wire routing and connector locations. In particular, pay close attention to the locations of cable straps which may need to be replaced.

1. Remove main fuse.
2. Refer to the owner's manual to remove seat.
3. See Figure 2. Disconnect turn signal and license plate illuminator wiring from the rear lighting harness (12) located underneath the seat.
4. Remove left hand turn signal assembly (11)
5. Remove side mount license plate assembly (10) and discard.

6. Remove right hand turn signal assembly (11).
7. Remove fender mounting screws (2).
8. Remove fender mounting brackets (7). Remove plastic wire channels (9) and save.
9. Remove rear reflector (15) from the rear edge of fender.
10. Remove plastic cap (14) from rear hole in the fender.

NOTE

Note the wire colors and cavity locations before removing the terminals from the socket housings.

11. See Figure 1. Remove the black (10), violet (11) and blue (12) wires and socket terminals from the STT socket housings (13). Set the STT lamps and socket housings aside for later installation.
12. See Figure 4. Get three **new** wires, one black (10), one violet (9) and one blue (8), from the kit.
13. Insert the tool between the outer edge of the rubber gasket (4) and the inside of the housing. Gently pry up the reflector (5) until free.



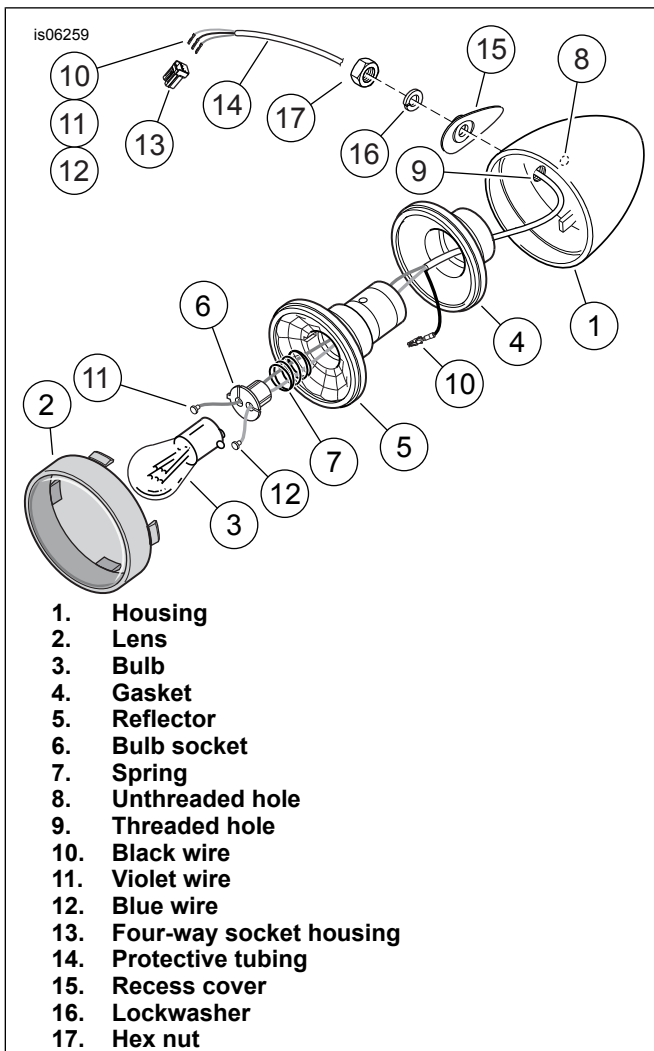


Figure 1. Stop/Tail/Turn Signal Lamp

14. Remove the ground terminal and black wire (10) from the back of the reflector.

NOTE

Note the cavity location and color of each wire in the reflector bulb socket (6) before removing. The violet wire should be closest to the locating tab on the bulb socket. New wires from the kit must be installed in the same cavities.

15. Note the location and color of the two wires in the reflector bulb socket. Slide the bulb socket from the reflector. Remove the wires and button terminals from the bulb socket. Guide the protective tubing (14) with all three wires out of the non-threaded hole (8) in the lamp housing, and discard.

16. Repeat steps 8 through 11 for the opposite side STT lamp.

17. Insert the terminal of the **new** black wire (10) into the cavity in the rear of the reflector (5) until it clicks into place. Thread the blue wire (12) and violet wire (11) through the center of the reflector (5), and the spring (7), and insert the button terminals into the correct slots and cavities in the reflector bulb socket (6).

18. Assemble the lamp as follows:

- a. Insert the spring and bulb socket back into the reflector, aligning the tab on the socket with the slot in the reflector.
- b. Seat the reflector assembly in the rubber gasket, aligning the tab on the reflector with the slot in the gasket.
- c. Install the reflector assembly, aligning the tab on the reflector with the slot inside the lamp and leaving about 25-50 mm (1-2 in) of wire inside the lamp housing. Carefully pull the individual wires at the front opening of the STT relocation weldment to remove excess wire from inside the tube.
- d. Using the thumbs of both hands, apply even pressure around the outer edge of the reflector assembly until fully seated.
- e. Liberally apply electrical contact lubricant (H-D Part No. 99861-02 or equivalent) to the contacts in the reflector socket and at the bottom of the bulb. Push in the bulb and rotate clockwise to install.
- f. Install the lens in the lamp and gently apply thumb pressure until it snaps into place. Rotate the lens to position the slot at the bottom of the lamp.

19. Repeat steps 13 through 17 for the opposite side STT lamp.

20. See Figure 4. Get the protective tubing (12) from the kit, and cut into two equal-length pieces.

NOTE

If necessary, apply a light coat of liquid soap, window cleaner or all-purpose lubricant to the inside and outside of the protective tubing.

21. Slide protective tubing over the three turn signal wires.

22. Refer to the notes made during the removal steps, the wiring diagram, and AMP ELECTRICAL CONNECTORS section in the service manual. Crimp the socket terminals to each turn signal wire. Install the socket connectors into the correct cavities of the socket housings.

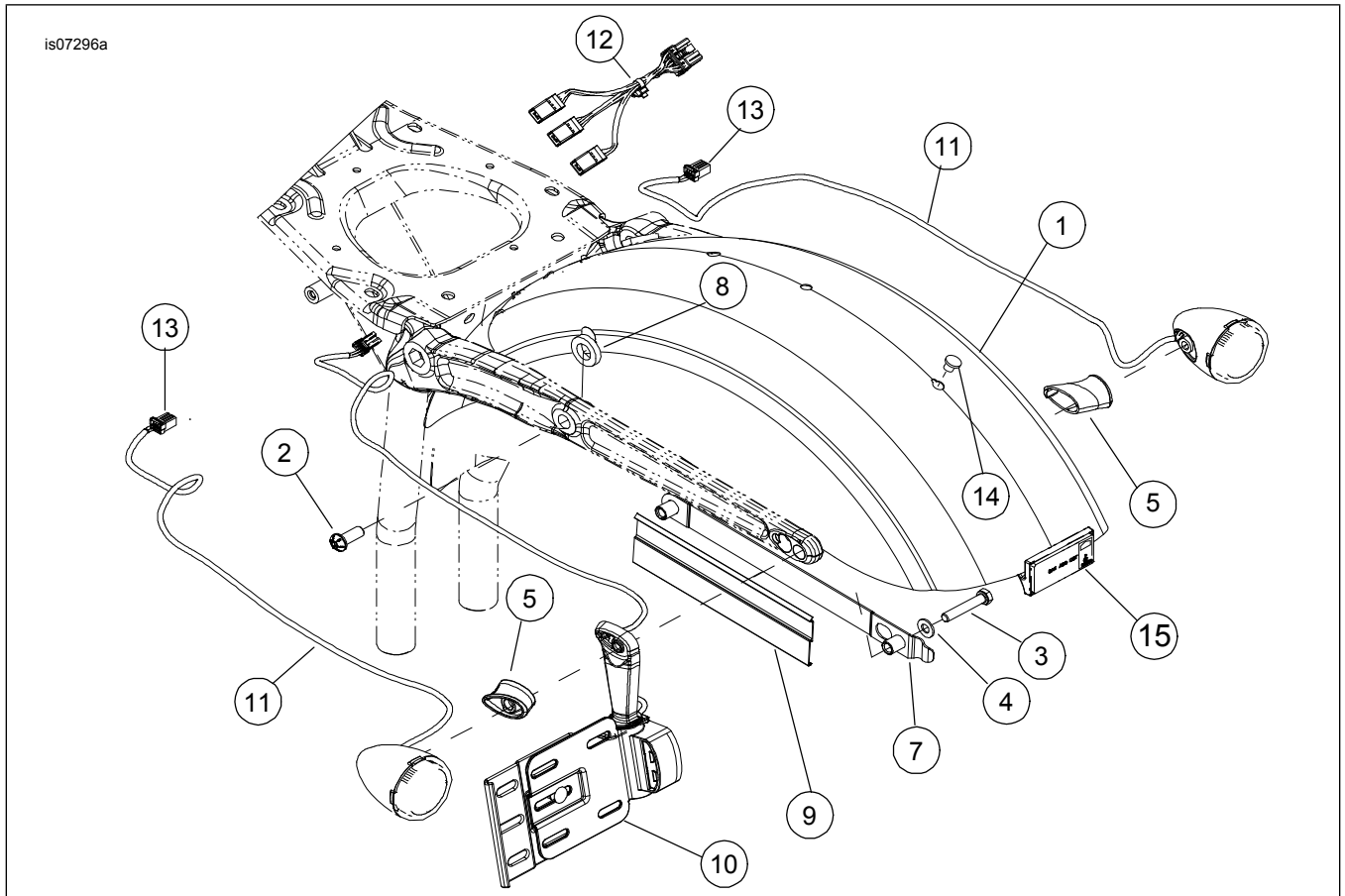


Figure 2. Remove Existing Side Mount License Plate Assembly

INSTALLATION

1. See Figure 4. Refer to instruction sheets for the accessories being installed with this kit (i.e. saddlebags, uprights, or turn signal relocation kits). The license plate relocation kit must be installed along with these accessories.
2. For installation with saddlebags use fender mounting brackets (Part Number 57300019). For installation with detachable accessories but no saddlebags use fender mounting brackets (Part Number 57300020). Discard any unused fender mounting brackets from this kit or other accessory kits being installed.
3. Snap the plastic wiring channels (A) saved earlier, onto the new fender mounting brackets (2).
4. Place the center mount license plate module (3) underneath the fender and secure it with screw (6).
5. If installed with two-up seat, use plastic washer (12) between seat mounting tab and fender.
6. Fender mounting bracket is installed over the side hole in the license plate module (3) and secured with hardware from the saddlebag, upright or turn signal relocation kit. Repeat for the opposite side.
7. Complete the installation of the other accessories following the instruction sheets provided with those kits.
8. Remove adhesive backing from reflector (5). Place reflector on reflector bracket (4).
9. Snap reflector bracket (4) to license plate module.
10. Route license plate illuminator wire through the wire channel (A) on the right side fender mounting bracket. Connect socket connector from the illuminator wiring with the mating pin connector harness (18) on the vehicle.
11. Refer to the instruction sheet for the accessory being installed for turn signal wire routing instructions. Route the wiring through the wire channels. When using fender mounting brackets 57300020 the turn signal wiring must pass through slot in the mounting bracket before routing through the plastic wiring channels. See Figure 3. Connect the socket housings on the turn signal wiring with the mating pin connector on the rear lighting harness (F).

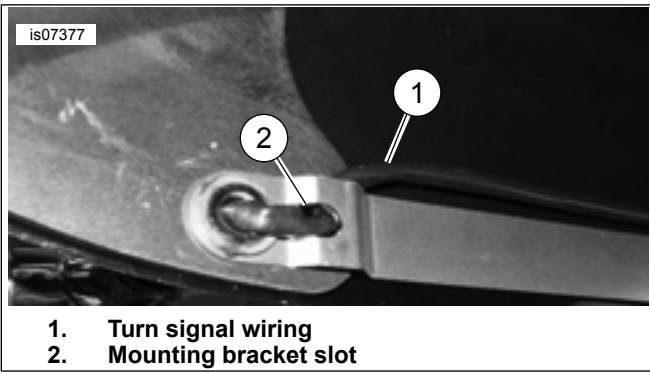


Figure 3. Wire Routing

- 12. Install seat.
- 13. Install main fuse.

SERVICE PARTS

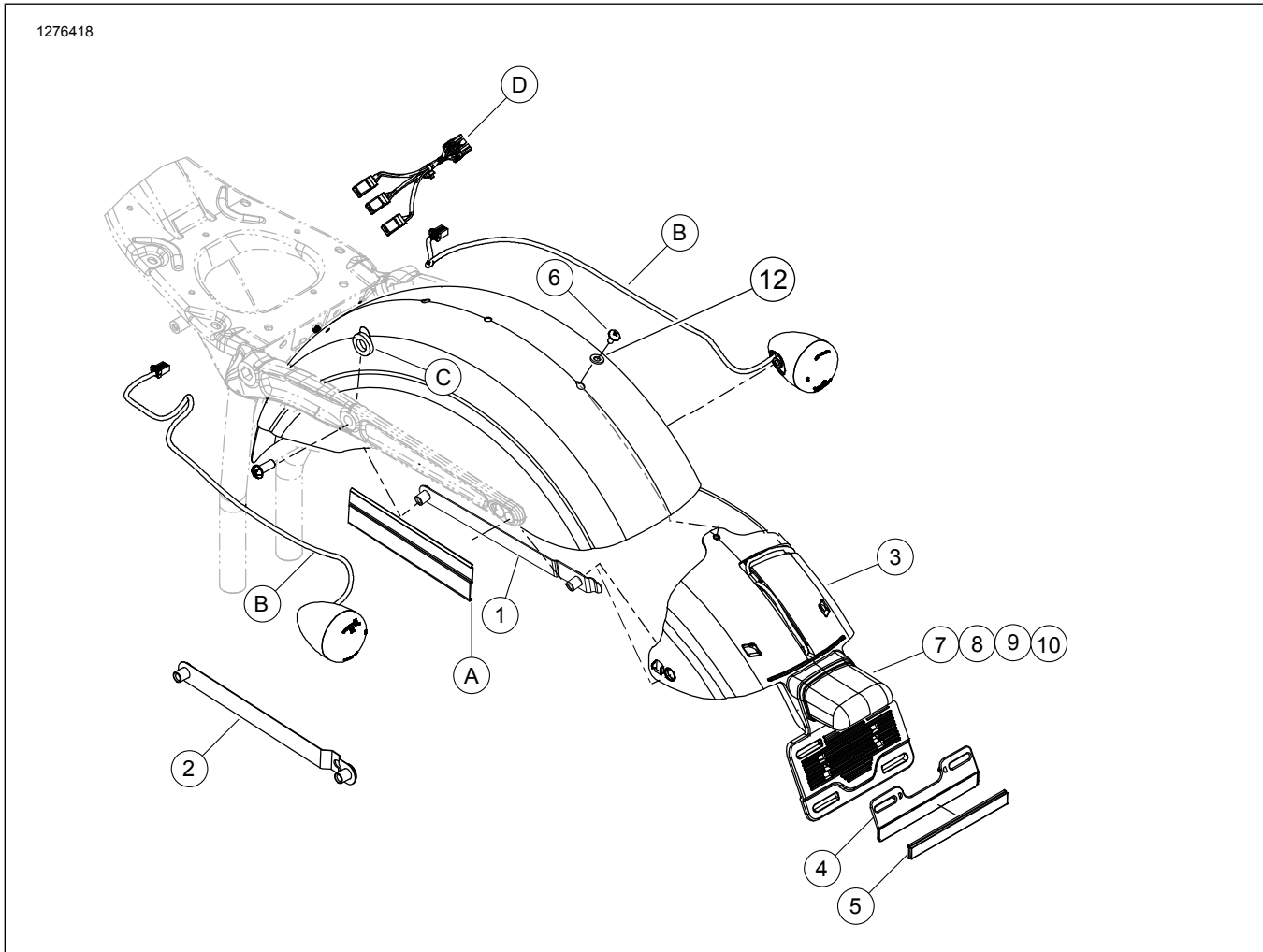


Figure 4. Service Parts: License Plate Relocation Kit

Table 1. Service Parts Table

Item	Description (Quantity)	Part Number
1	Bracket, rear fender mount (2)	57300019
2	Bracket, rear fender mount (2)	57300020
3	License plate module	67900125
4	Bracket, license plate reflector	60907-09
5	Reflector, red	59512-06B
6	Button head Phillip Sems, SST	3085
7	License plate illuminator	73504-11
8	Socket housing	72914-01BK
9	Terminal pin (2)	72991-01

Table 1. Service Parts Table

Item	Description (Quantity)	Part Number
10	Screw, self tapping (2)	4091
11	Wire harness (not shown)	70726-10
12	Washer, nylon	7487
Items mentioned in text, but not included in kit:		
A	Wire channel (2)	
B	Directional lamp, rear (2)	
C	Spacer	
D	Harness, rear lighting	