



INSTRUCTIONS

J05591

2013-10-15



TWO-UP LUGGAGE RACK, GLOSS BLACK AND CHROME

GENERAL

Kit Number

50300071, 50300091

Models

For model fitment information, see the P&A Retail Catalog or the Parts and Accessories section of www.harley-davidson.com (English only).

Kit Contents

See Figure 3 and Table 1.

INSTALLATION

1. See Figure 1. While standing behind the motorcycle, place the left-side and right-side front rack notches (2) into the front docking points (4) on the fender supports (3). See Figure 2 for views of correct and incorrect rack engagement.

NOTE

Failure to properly align the front docking points and rack may result in damage to the rear docking points.

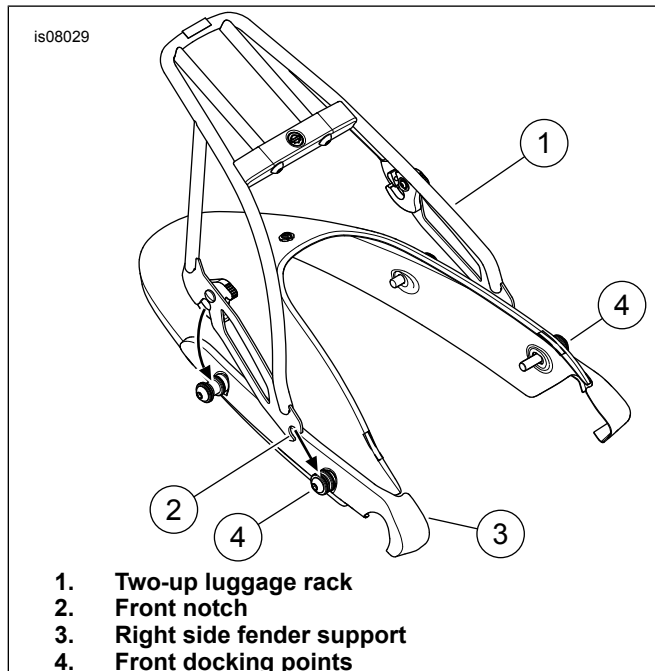


Figure 1. Place Front Notches into Front Docking Points

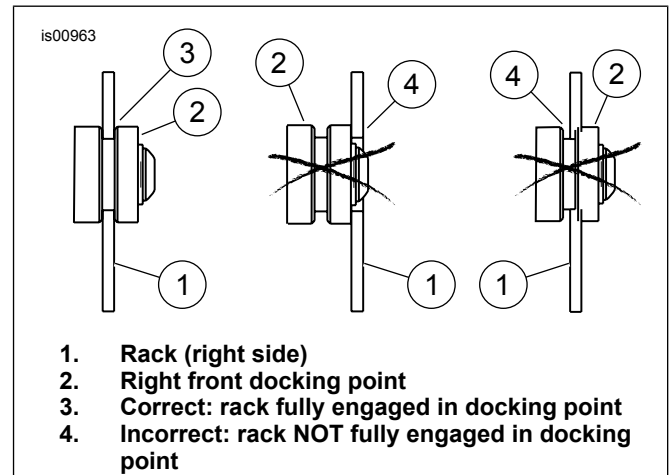


Figure 2. Rack Fit to Front Docking Points

2. Position the rotary latches over the rear docking points. Pull the rotary latches back to their rearmost position. Check to be sure the rack notches and latches fit into the neck of the rear docking points. This may require some gentle squeezing or spreading of the rack.
3. Push the rear of the rack downward and close the rotary latches by pressing the latch levers as far forward as possible. A "CLICK" will be heard when the latches are in place. If the latches do not easily close, do not force.
4. To remove the rack, press to release the rotary latches on each side and pull the latch levers back. Carefully lift the rear of the rack up and pull the rack out of the front docking points.

Service Parts

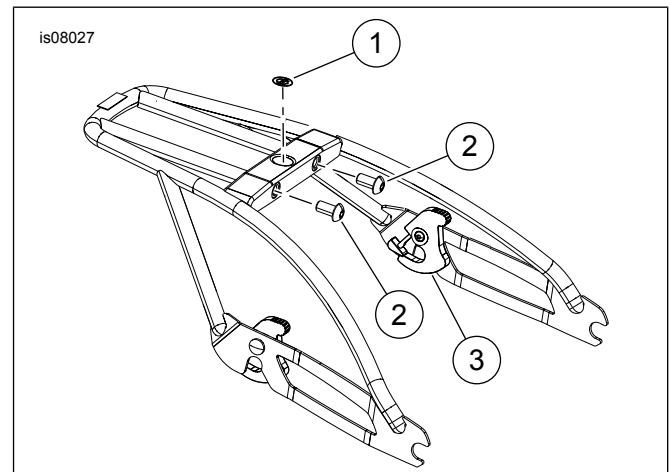


Figure 3. Service Parts: Two-Up Luggage Rack



Table 1. Service Parts

Item	Description (Quantity)	Part Number
1	Logo, bar and shield (chrome)	14448-94
	Logo, bar and shield (black)	14750-01
2	Screw (2)	10200206
3	Rotary latch	Not Sold Separately