



# INSTRUCTIONS

J05355

2011-04-15



## CHROME ROTARY LATCH KIT

### GENERAL

#### Kit Numbers

12600036

#### Models

For model fitment information, see the P&A Retail Catalog or the Parts and Accessories section of [www.harley-davidson.com](http://www.harley-davidson.com) (English only).

#### Additional Parts Required

Separate purchase of LOCTITE® 243 Threadlocker and Sealant - Blue (Part No. 99642-97) or equivalent is required for installation of this kit.

Separate purchase and installation of additional parts or accessories may be required for proper installation of this kit on your model motorcycle. See the P&A Retail Catalog or the Parts and Accessories section of [www.harley-davidson.com](http://www.harley-davidson.com) (English only) for a list of required parts or accessories for your model.

#### Kit Contents

See Figure 2 and Table 1.

### REMOVAL

1. Make note of the mounting configuration of the latches before removal.

#### NOTE

*Detachable styles may vary from those shown in the illustration.*

2. Remove the detachable accessory.
3. See Figure 1. Remove the latch assembly and note number of flat washers (2 and 5).

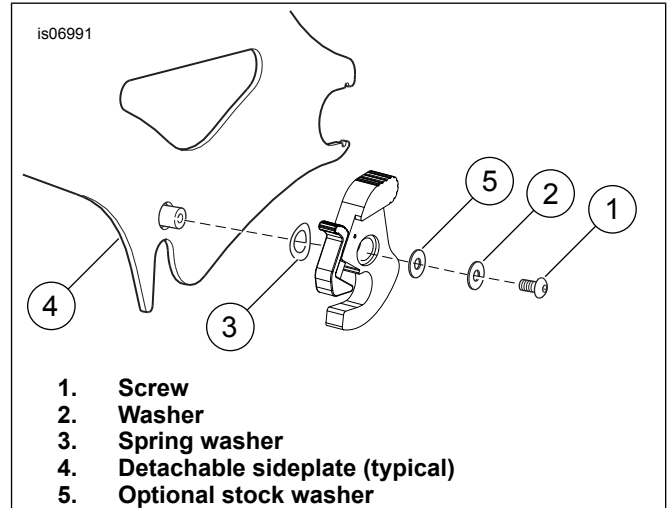


Figure 1. Remove Latch

### INSTALLATION

1. See Figure 2. Install spring washer (4) on mounting hub with the concave side facing away from the hub.
2. Install the latch (1) on the mounting hub in the same configuration as the removed latch.
3. Apply Loctite 243 Threadlocker and Sealant - Blue to threads of screw (3) and install screw and washer (2) and washer (5 - if supplied with stock latch).
4. Tighten screw to 3.4–4.5 N·m (30–40 in-lbs).

### SERVICE PARTS

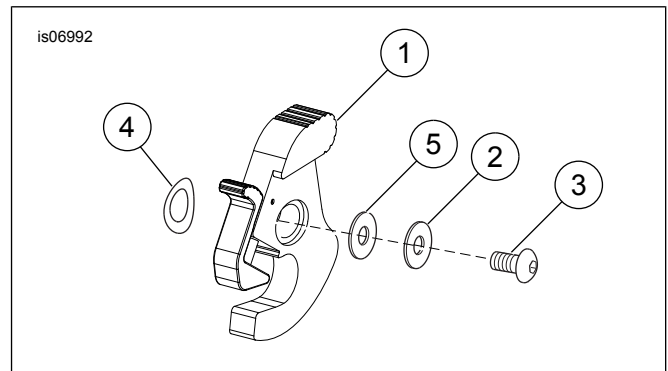


Figure 2. Service Parts: Rotary Latch Kit

**Table 1. Service Parts: Detachables Latch Kit**

<b>Item</b>	<b>Description (Quantity)</b>	<b>Part Number</b>
1	Latch, rotary chrome, left Latch, rotary chrome, right (not shown)	Not Sold Separately
2	Flat washer	Not Sold Separately
3	Screw	Not Sold Separately
4	Spring washer	Not Sold Separately
5	Flat washer (only required if stock latch included two flat washers)	6912