



INSTRUCTIONS

J05748

2013-02-22



PREMIUM TOUR-PAK BOTTOM LINER KITS

GENERAL

Kit Number

53000322, 53000323

Models

For model fitment information, see the P&A retail catalog or the Parts and Accessories section of www.harley-davidson.com (English only).

Table 1. Kit Usage

Kits	Usage
53000322	For Chopped Tour-Pak
53000323	For King Tour-Pak

These liners are not compatible with Tour-Pak® bottom floor- or wall-mounted accessories **except** the BOOM! Audio Bass Booster Tour-Pak Port Kit (Part No. 76000013).

Kit Contents

This kit consists of a Tour-Pak bottom liner and these instructions. There are no service parts available for this kit.

INSTALLATION

1. Open the Tour-Pak lid and remove all items from the Tour-Pak base.
2. **Models with rubber mat:** Remove the mat. **Models with molded liner:** Open the map pocket and remove the acorn nuts with flat washers. Remove the map pocket and liner.

NOTE

For a vehicle equipped with a BOOM! Audio Bass Booster Tour-Pak Port Kit: Use a sharp hobby knife to cut out the two perforated circles (1) at the front corners of the **new** liner (see Figure 1).

3. **ALL applications:** Remove the cover tether from the Tour-Pak bottom. Place the liner into the Tour-Pak. Install the cover tether through the hole (2) in the front of the liner. Tighten the screws to 2.8–4 N·m (25–35 in-lbs).

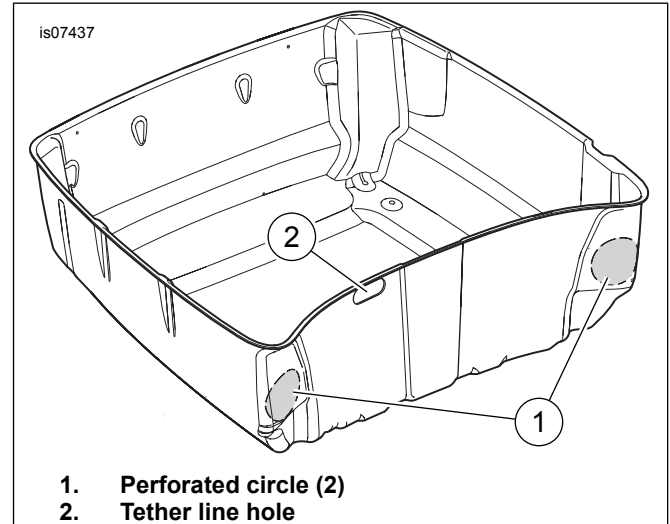


Figure 1. Tour-Pak Bottom Liner (King Shown)