



INSTRUCTIONS

J05443

2012-07-03



FLTR OVAL LED HEADLAMP KITS

GENERAL

It is **strongly advised** that this kit be installed by an authorized Harley-Davidson dealer.

Kit Numbers

67700109, 67700112

Models

For model fitment information, see the P&A retail catalog or the Parts and Accessories section of www.harley-davidson.com (English only).

Installation Requirements

⚠ WARNING

Rider and passenger safety depend upon the correct installation of this kit. Use the appropriate service manual procedures. If the procedure is not within your capabilities or you do not have the correct tools, have a Harley-Davidson dealer perform the installation. Improper installation of this kit could result in death or serious injury. (00333b)

NOTE

This instruction sheet refers to service manual information. A service manual for this year/model motorcycle is required for this installation and is available from a Harley-Davidson dealer.

Kit Contents

See Figure 2 and Table 1.

PREPARATION

NOTE

For vehicles equipped with security siren: Verify that the Hands-Free Fob is present. Turn the ignition key switch to IGNITION.

⚠ WARNING

To prevent accidental vehicle start-up, which could cause death or serious injury, remove main fuse before proceeding. (00251b)

1. See the service manual and remove the main fuse.

INSTALLATION

1. Remove the windshield per service manual instructions. Set the windshield aside in a protected location.

NOTE

Cover the front fender with H-D Service Covers or clean shop towels to prevent scratching the finish.

2. **2010 and later models:2009 and earlier models:**

- a. Remove the outer fairing per service manual instructions. Lay the fairing, front face down, on a protected work surface.
- b. See the service manual to remove the headlamp assembly.
- c. Remove the outer fairing per service manual instructions. Set the fairing, bottom side down, on a protected work surface.
- d. See the service manual to remove the headlamp assembly. Use of the original equipment (OE) clear headlamp cover is not permitted over LED headlamps. It will not be reinstalled, and can be recycled or properly disposed of.

NOTE

- Ambient temperature should be **at least** 16 °C (60 °F) for proper adhesion of the lamp support bracket to the fairing.
- Allow **AT LEAST 24 hours** after applying the bracket before exposing the area to extreme weather.
- The adhesive bond will increase to maximum strength after about 72 hours at normal room temperature.

3. See Figure 2. Get the lamp support bracket (16) from the kit. Test-fit the bracket to the back side of the outer fairing, between the headlamp openings as shown in Figure 1 before installation. Do not remove the liners until ready to apply the bracket.



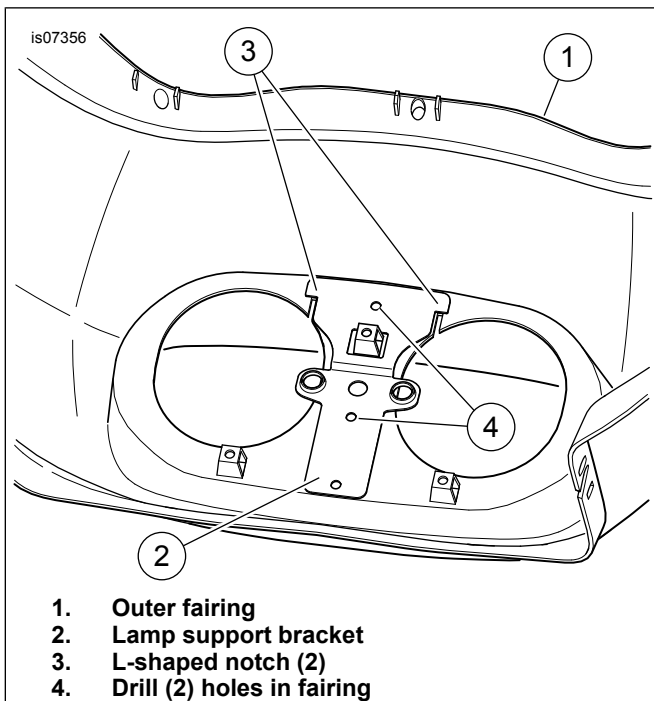


Figure 1. Install Lamp Support Bracket

4. Clean the bracket mounting area on the fairing (1) with a 50-50 mixture of isopropyl alcohol and distilled water. Allow to dry thoroughly.
5. Remove the liners from the adhesive backing of the lamp support bracket (2). Carefully position the bracket to the back side of the outer fairing, aligning the edges of the L-shaped notches (3) with the edges of the slots in the fairing. Press the bracket firmly into place. Hold the bracket in position with steady pressure for about one minute.
6. Using the bracket holes (4) as a guide, drill two 6.8 mm (17/64 in) to 7 mm (9/32 in) diameter holes in the fairing.
7. On the front side of the fairing, chamfer the newly drilled holes to clean up any burrs.
8. See Figure 2.
 - a. Get the front support plate (17) and two lock nuts (18) from the kit.
 - b. Align the cutout in the support plate with the pocket in the fairing.
 - c. Insert the studs of the support plate through the fairing and support bracket.
 - d. Fasten the support plate to the fairing with the lock nuts, and tighten to 8.1–10.8 N·m (6–8 ft-lbs).
9. Remove the thread protector cap (13) from the upper adjusting screw (8).

10. Install the dual headlamp assembly into the outer fairing.
 - a. Align the adjusting screws (7 and 8) with the holes at the base of the three pockets (A) in the dual headlamp bezel (6). Start the screw threads into the holes.
 - b. Align the three headlamp mounting clips (11) with the sides of the pockets. Align the two bushings (3) with the holes in the LED lamp support bracket (16).
 - c. Make sure the wings of the headlamp clips are fully engaged and sprung out in the rectangular holes in the fairing. Make sure no flash is present along the edges preventing full engagement.
 - d. The O-rings (12) should be seated squarely between the headlamp clips and the base of the pockets (A).
11. Install the thread protector cap (13) over the threads of the upper adjusting screw (8).

12. Plug the adapter harness (20) into the receptacles on the back of each headlamp.

13. Use the two cable straps (22) to install the heat shield (21) over the section of vehicle harness that will be directly behind the left-side headlamp.

14. There is an orange/white wire and a black wire (both labeled [29B]) on the main vehicle harness. Each has a spade receptacle connector on the end. **On U.S. versions**, the wires are taped back, unused. **For all other applications**, the wires were connected to the position lamp, removed earlier with the OE headlamp assembly. **In either case**, leave the orange/white wire free, and tape back the black wire.

NOTE

Cover the front fender with H-D Service Covers or clean shop towels to prevent scratching the finish.

15. Bring the outer fairing to the vehicle. Plug the adapter harness (20) orange/white wire into the orange/white wire on the vehicle harness, and mate the two sets of H4 headlamp connectors.

16. Install the outer fairing to the vehicle per service manual instructions. Verify full engagement between the outer fairing and the hooks on the radio bracket.

17. Install the windshield per service manual instructions.

RETURN TO SERVICE

NOTE

*To prevent possible damage to the sound system, verify that the ignition key switch is in the OFF position **before** installing the main fuse.*

1. See the service manual and install the main fuse.
2. Turn the ignition key switch to IGN, but do not start the motorcycle. The headlamps should illuminate. Check both high and low beam operation.
3. Check headlamp alignment per service manual instructions.

SERVICE PARTS

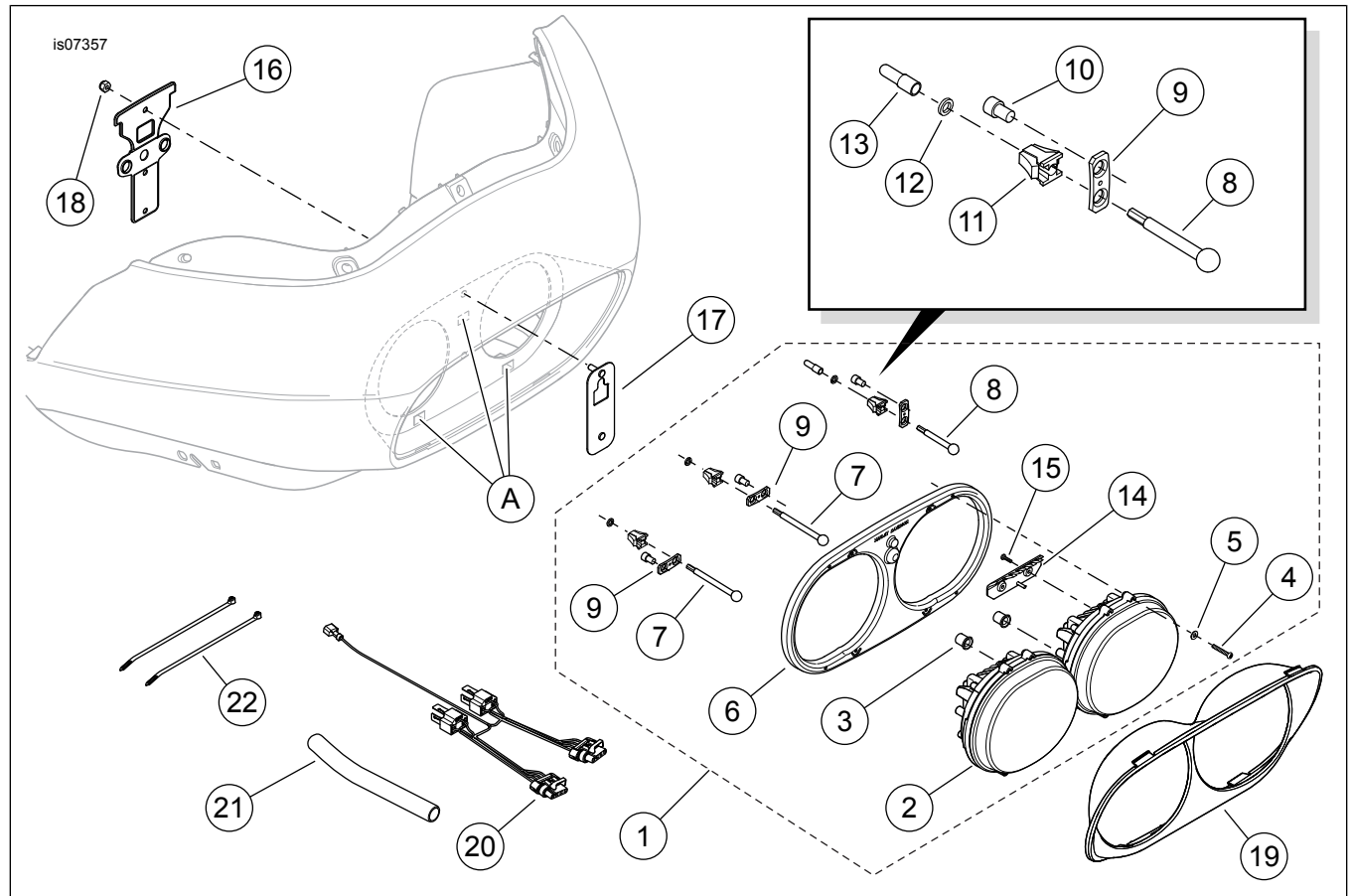


Figure 2. Service Parts, FLTR Oval LED Headlamp Kits

SERVICE PARTS

Table 1. Service Parts

Kit	Item	Description (Quantity)	Part Number
Kit 67700109 Headlamp Kit (Chrome)	1	Dual headlamp assembly (Chrome): includes Items 2-15	Not sold separately
	2	• Headlamp, oval, LED (Chrome) (2)	67700110
Kit 67700112 Headlamp Kit (Chrome/Black)	1	Dual headlamp assembly (Chrome/Black): includes Items 2-15	Not sold separately
	2	• Headlamp, oval, LED (Chrome/Black) (2)	67700111

Table 1. Service Parts

Kit	Item	Description (Quantity)	Part Number	
Items common to BOTH kits	3	• Bushing, headlamp (2)	11000077	
	4	• Screw, Phillips pan head, #6 x 25.4 mm (1.0 in) long (8)	3165	
	5	• Flat washer, black nylon (8)	Not sold separately	
	6	• Bezel, dual headlamp	67959-10	
	7	• Adjusting screw, ball type, 88 mm (3.5 in) long (2)	67980-98A	
	8	• Adjusting screw, ball type, 65 mm (2.6 in) long	67980-10	
	9	• Mounting plate, plated (3)	Not sold separately	
	10	• Screw, mounting plate (3)	Not sold separately	
	11	• Headlamp mounting clip, nylon (3)	67981-98A	
	12	• O-ring, bumper (special) (3)	Not sold separately	
	13	• Cap, thread protector	89582-04	
	14	• Bumper, wire protection	Not sold separately	
	15	• Screw, #6, Type 25 thread cutting (2)	Not sold separately	
	16	Support bracket (hanger), LED lamp	Not sold separately	
	17	Support plate, front	Not sold separately	
	18	Hex nut, Nylok, 1/4-20 (2)	7686	
	19	Bezel, headlamp trim	61400180	
	20	Jumper harness	Not sold separately	
	21	Wrap, heat shielding	Not sold separately	
	22	Cable strap (2)	10006	
	Items mentioned in text, but not included in kit:			
		A	Pocket in dual headlamp bezel (3)	