



INSTRUCTIONS

J05847

2013-06-01



TOUR-PAK RACK LIGHT KIT

GENERAL

Kit Number

68000112, 68000113

Models

For model fitment information, see the P&A Retail Catalog or the Parts and Accessories section of www.harley-davidson.com (English only).

Additional Parts Required

Separate purchase and installation of additional parts or accessories may be required for proper installation of this kit on your model motorcycle. See the P&A Retail Catalog or the Parts and Accessories section of www.harley-davidson.com (English only) for a list of required parts or accessories for your model.

⚠ WARNING

Rider and passenger safety depend upon the correct installation of this kit. Use the appropriate service manual procedures. If the procedure is not within your capabilities or you do not have the correct tools, have a Harley-Davidson dealer perform the installation. Improper installation of this kit could result in death or serious injury. (00333b)

NOTE

This instruction sheet references service manual information. A service manual for your model motorcycle is required for this installation and is available from a Harley-Davidson dealer.

Kit Contents

See Figure 3 and Table 1.

INSTALLATION

1. Remove all contents from Tour-Pak®.

NOTE

Remove Tour-Pak rack for easier installation. Follow instructions in service manual.

2. See Figure 1. Remove rubber plug (1) from bottom rear rail on left side of rack.
3. Use line wire feeder in kit to thread through left rear rack foot (2) and out through the back opening of rail.
4. Attach light harness wires to line wire feeder loop.
5. Carefully pull line wire feeder and light harness wires through rack mounting foot.

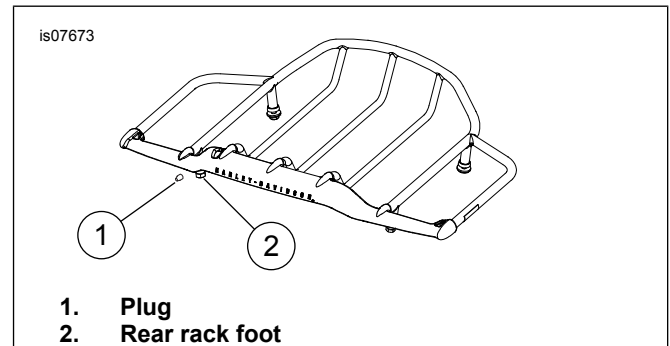


Figure 1. Rack Plug and Foot

6. See Figure 3 and Table 1. Apply foam pads (5) to top surface of light.
7. Secure light (1) to rack with socket head screws (4) and washers (6).
8. Position rack/light assembly to Tour-Pak lid and route wires through lid, washer and hollow mounting bolt.
9. Attach rack/light assembly to Tour-Pak using instructions and hardware provided with rack except for use of hollow bolt from previous step.
10. Remove Tour-Pak liner following directions in service manual.
11. Thread wires through black vinyl conduit.
12. See Figure 2. Connect light assembly connector to rear lighting connector (1).
13. Remove grommet (2) from Tour-Pak.
14. Route Y-harness wires through hole in Tour-Pack.
15. Install new grommet around all wires and install in Tour-Pak.



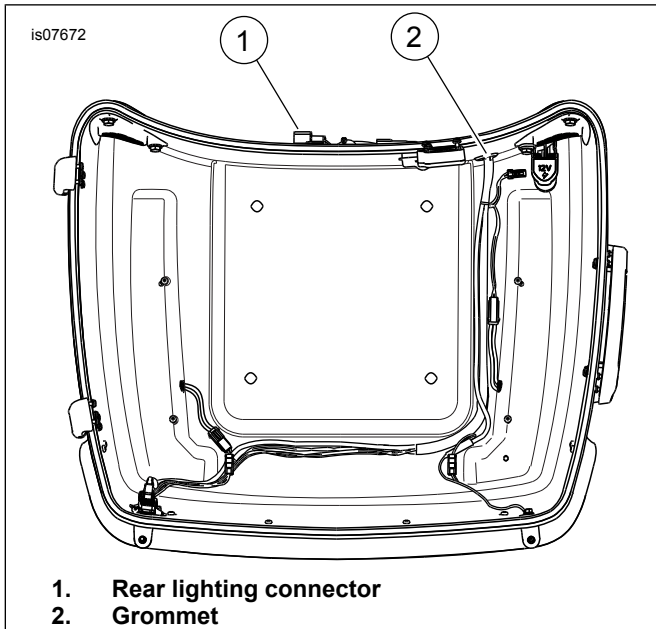


Figure 2. Tour-Pak Lighting Connector

16. See Figure 3. Refer to the Service Manual electrical appendix to install terminal pins (8) to rack light wires and install terminals to three pin housing (7) as follows:

- #1 cavity = blue lead
- #2 cavity = red with yellow lead
- #3 cavity = black lead

NOTE

To prevent corrosion, fill the cavities of the connectors with dielectric grease (included in kit) prior to making connections.

As an additional precaution against moisture seepage into the Tour-Pak, apply silicone sealant (not included in kit) to the entrance of the light harness wire tunnel.

17. Replace Tour-Pak liner following directions in service manual.

18. Check operation of Tour-Pak tail and stop light functions before operating motorcycle.

SERVICE PARTS

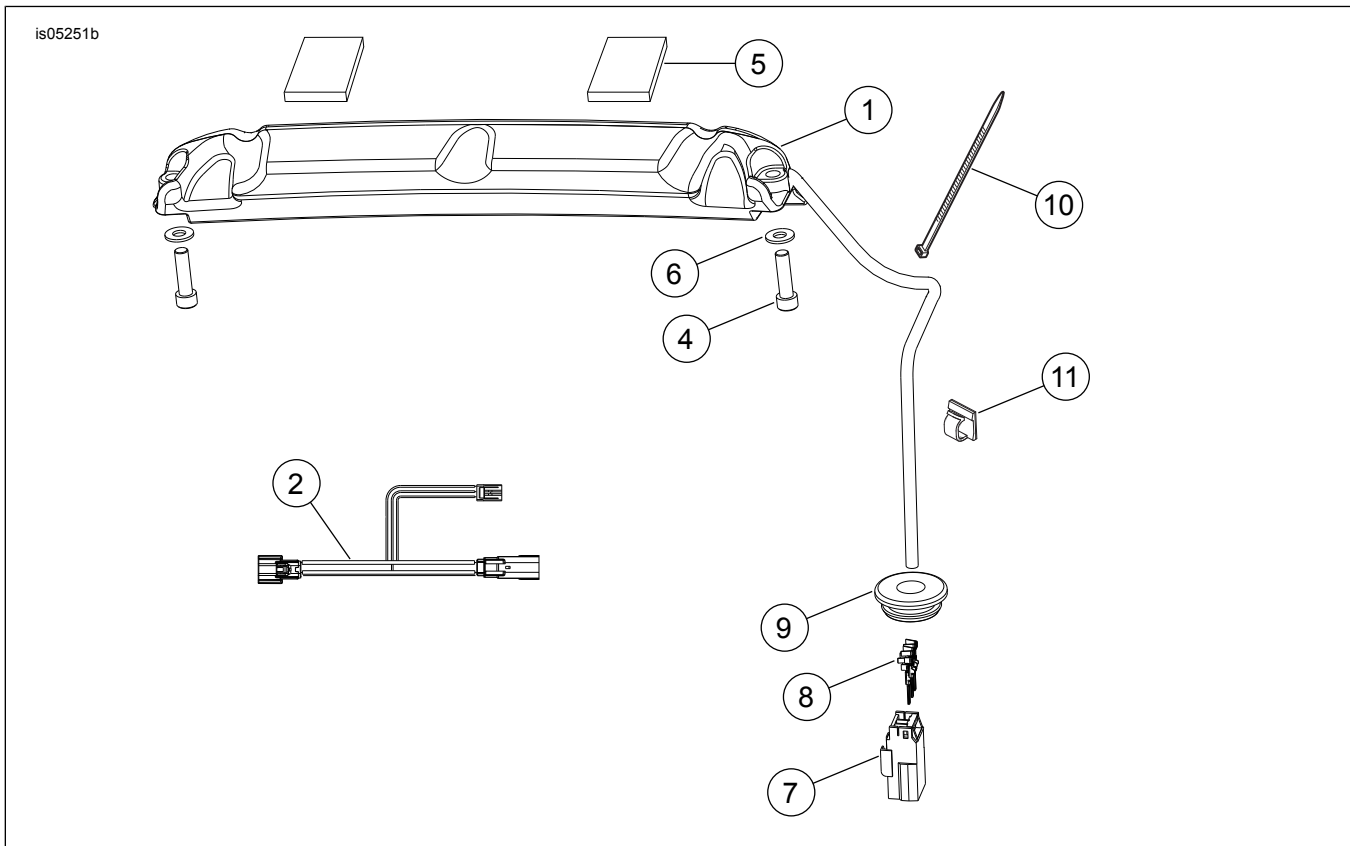


Figure 3. Service Parts: Tour-Pak Rack Light Kit

Table 1. Service Parts Table

Item	Description (Quantity)	Part Number
1	LED light assembly	Not Sold Separately
2	Auxiliary wiring harness	Not Sold Separately
3	Dielectric grease (not shown)	Not Sold Separately
4	Socket head screw, 8-32, stainless steel (2)	Not Sold Separately
5	Pad (2)	Not Sold Separately

Table 1. Service Parts Table

Item	Description (Quantity)	Part Number
6	Flat washer, 0.172 x 0.375 x 0.035, stainless steel (2)	Not Sold Separately
7	Pin housing, 3 place	73103-96BK
8	Pin terminal, 16-20 AWG (3)	73190-96
9	Grommet	10100055
10	Cable strap (4)	10006
11	Clip, adhesive backed (4)	10102
12	Conduit, 42 inches long (not shown)	Not Sold Separately
13	Wire guide, nylon monofilament (not shown)	Not Sold Separately