



# INSTRUCTIONS

J05851

2013-06-07



## LIGHTED MIRROR KITS

### GENERAL

#### Kit Number

56000080, 56000081

#### Models

For model fitment information, see the P&A Retail Catalog or the Parts and Accessories section of [www.harley-davidson.com](http://www.harley-davidson.com) (English only).

#### NOTE

*The mirrors in this kit are not intended to replace the stock turn signals. Mirror turn signals will not function properly without the stock turn signals installed.*

#### Additional Parts Required

#### ⚠ WARNING

**Rider and passenger safety depend upon the correct installation of this kit. Use the appropriate service manual procedures. If the procedure is not within your capabilities or you do not have the correct tools, have a Harley-Davidson dealer perform the installation. Improper installation of this kit could result in death or serious injury. (00333b)**

#### NOTE

*This instruction sheet references service manual information. A service manual for your model motorcycle is required for this installation and is available from a Harley-Davidson dealer.*

#### NOTICE

**It is possible to overload the vehicle's charging system by adding too many electrical accessories. If the combined electrical accessories operating at any one time consume more electrical current than the vehicle's charging system can produce, the electrical consumption can discharge the battery and cause damage to the vehicle's electrical system. (00211d)**

#### Kit Contents

See Figure 5 and Table 2.

#### ⚠ WARNING

**When installing any electrical accessory, be certain not to exceed the maximum amperage rating of the fuse or circuit breaker protecting the affected circuit being modified. Exceeding the maximum amperage can lead to electrical failures, which could result in death or serious injury. (00310a)**

#### NOTE

*This kit requires up to 500 mA of additional current from the electrical system.*

### REMOVAL

#### ⚠ WARNING

**To prevent accidental vehicle start-up, which could cause death or serious injury, remove main fuse before proceeding. (00251b)**

- See the service manual. Remove the following:
  - Left side saddlebag.
  - Left side cover.
  - Main fuse.
  - Outer fairing.
- See Figure 1. Remove acorn nut (1), star washer (2) and existing mirror (3) from clutch hand control assembly. Discard star washer and mirror but save acorn nut.
- See Figure 2. Repeat previous step for the front brake hand control assembly. Discard star washer and mirror but save acorn nut.
- See the service manual. Remove front turn signal/auxiliary lamp assemblies and disconnect the turn signal connectors.

### INSTALLATION

- See Figure 1. Install new mirror stem (1) through clutch hand control assembly.
- Install stock washer (2) or flat washer from kit (3) on top of hand control assembly (if needed) to stabilize mirror stem.
- Slide mirror power lead wire (gray) through ground wire ring terminal (5) (flat side up), then install ring terminal on mirror stem.
- Slide mirror power lead wire (gray) through wire guard (6), then install wire guard on mirror stem.
- Install flat washer (3) from kit on mirror stem.

#### NOTE

*Be sure wire exiting mirror stem is positioned in wire guard so it does not get crushed by hardware.*

- Install acorn nut (4) on mirror stem (1). Tighten to 10.8–16.3 N·m (8–12 ft-lbs). Do not over-tighten.
- See Figure 2. Repeat installation steps for front brake hand control assembly.



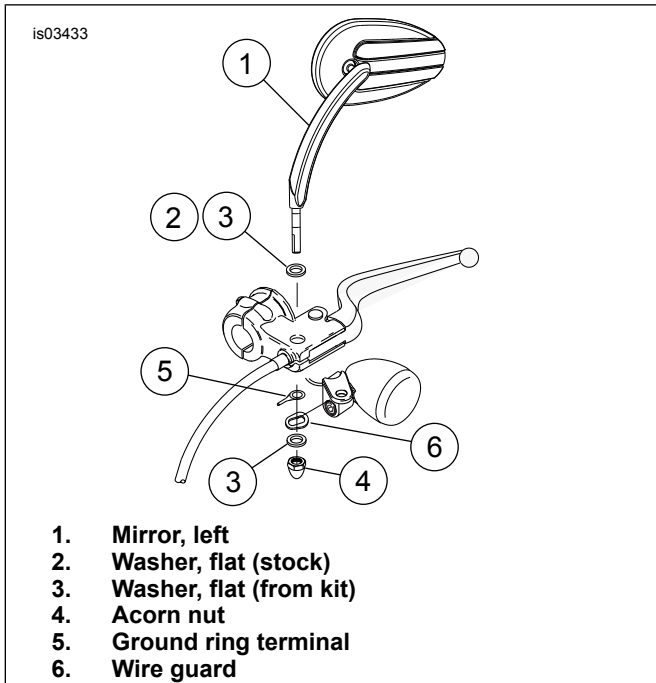


Figure 1. Install Left Lighted Mirror

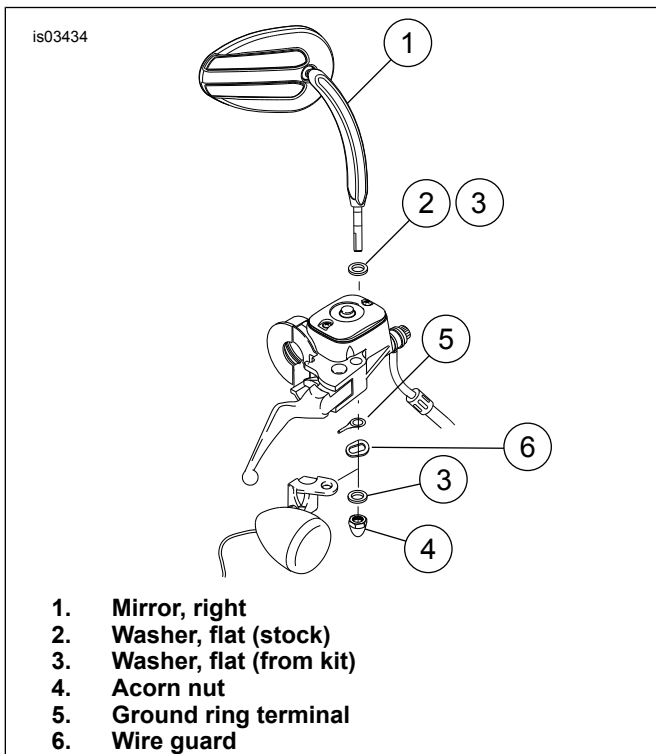


Figure 2. Install Right Lighted Mirror

8.

## Connect Mirrors to Y-Harness

1. See the service manual connector appendix. Assemble Y-harness.
  - a. See Figure 5. Get the jumper wire (15), pin housing (8), socket housing (9) and dielectric grease (13).

- b. Coat the pin and terminal sockets with dielectric grease.
- c. See Figure 3 and Table 1. See the service manual connector appendix and install the pin and socket terminations for the Y-harness into the connector housing cavities 1, 2 and 3.
- d. Coat the pin and terminal sockets of the jumper wire (2) with dielectric grease.
- e. Install the jumper wire into cavity 4 of the socket connector housing (3) and the pin connector housing (4).

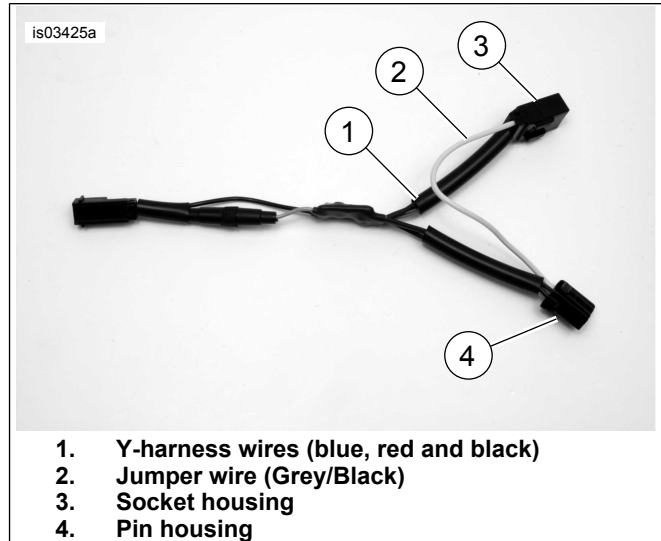
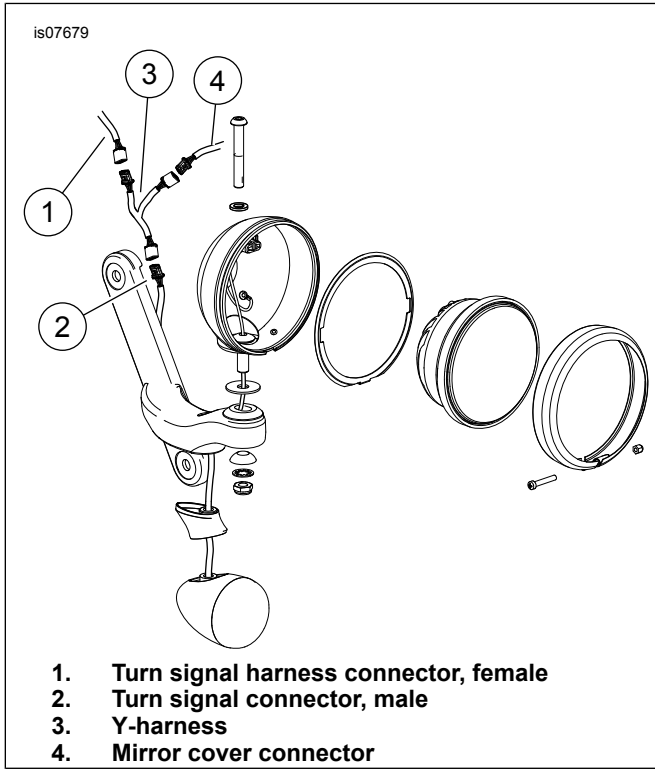


Figure 3. Y-Harness with Jumper Wire Installed

2. Route the wires of the mirror down to the turn signal connector. Secure the mirror wire with cable straps.
3. See the service manual. Install socket terminals ( Figure 5, item 4) onto the mirror wires.
4. See the service manual connector appendix. Install socket housing ( Figure 5, item 7) to mirror wires.
  - a. Coat the socket terminals with dielectric grease.
  - b. See Table 1. See the service manual connector appendix and install the mirror wire socket terminals into the connector housing cavities.
5. See Figure 4. Install the Y-harness (3) to the turn signal harness connector.
6. Connect the mirror connector to the Y-harness (3).
7. See the service manual. Connect the turn signal connector (2) to the Y-harness, then install turn signal bracket assembly.
8. Repeat the procedure for the opposite side mirror cover.

**Table 1. Wire Color and Cavity Locations**

Turn Signal and Mirror Connectors				
Cavity	1	2	3	4
4-Place Connector Housings	Blue	Red	Blk	Grey/Blk



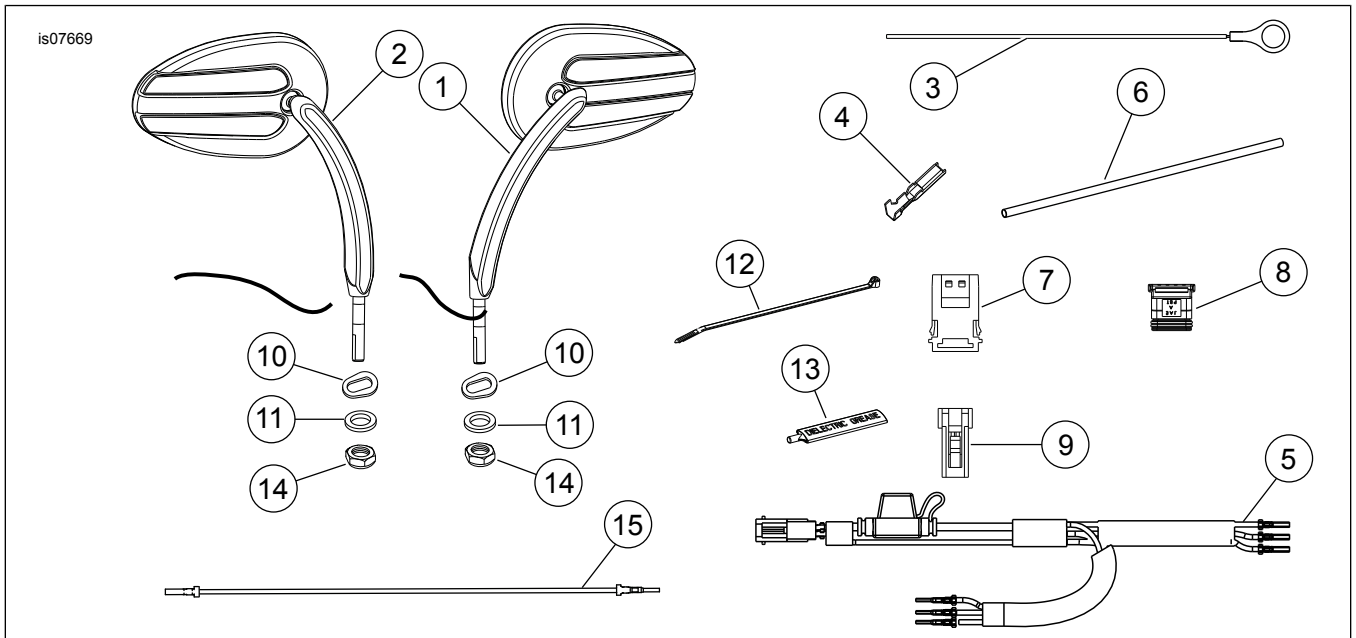
1. Turn signal harness connector, female
2. Turn signal connector, male
3. Y-harness
4. Mirror cover connector

**Figure 4. Auxiliary/Fog Lamp Assembly**

## Final Assembly

1. Follow instructions in the service manual for the following procedures:
  - a. Outer fairing
  - b. Main fuse.
  - c. Left side cover.
  - d. Left saddlebag.

## SERVICE PARTS



**Figure 5. Service Parts: Lighted Mirrors**

**Table 2. Service Parts: Lighted Mirrors**

Item	Description (Quantity)	Part Number
1	Lighted mirror, left (with gray lead wire), chrome	92055-07
2	Lighted mirror, right (with gray lead wire), chrome	92056-07

**Table 2. Service Parts: Lighted Mirrors**

<b>Item</b>	<b>Description (Quantity)</b>	<b>Part Number</b>
3	Ground wire (2)	Not Sold Separately
4	Terminal, socket (6)	72560-07
5	Y-Harness assembly (2) (includes fuse holder and fuse)	69200811
	Fuse, 2 amp blade (2) (not shown)	54305-98
6	Conduit, black (2)	Not Sold Separately
7	Socket housing, 4-way (2)	72907-11
8	Socket housing, 4-way (2)	72908-11
9	Socket housing, 4-way (2)	73152-96BK
10	Wire guard (2)	72561-07
11	Washer, flat (4)	6771A
12	Cable strap (10)	10006
13	Dielectric grease, 4-6 gram packet	Not Sold Separately
14	Locknut, nylon insert 5/16-24 (2) - Sportster, FXSTS, FLSTS models only	7727
15	Jumper wire assembly (2)	56913-06