



INSTRUCTIONS

J05759

2016-08-22



FAIRING MOUNT MIRRORS

GENERAL

Kit Number

56000076, 56000077

Models

For model fitment information, see the P&A retail catalog or the Parts and Accessories section of www.harley-davidson.com (English only).

Installation Requirements

⚠ WARNING

Rider and passenger safety depend upon the correct installation of this kit. Use the appropriate service manual procedures. If the procedure is not within your capabilities or you do not have the correct tools, have a Harley-Davidson dealer perform the installation. Improper installation of this kit could result in death or serious injury. (00333b)

For model fitment information, see the P&A retail catalog or the Parts and Accessories section of www.harley-davidson.com (English only).

Kit Contents

See Figure 2 and Table 1.

INSTALLATION

Installing Mirrors

⚠ WARNING

To prevent accidental vehicle start-up, which could cause death or serious injury, remove main fuse before proceeding. (00251b)

1. See the service manual. Remove the main fuse.

NOTE

Do not leave windshield in place with outer fairing removed. Windshield could fall and be damaged.

2. See the service manual. Remove the outer fairing and windshield.
3. Drill mirror mounting holes.
 - a. See Figure 1. Locate drill points (1 and 2).
 - b. Cover the finished surface opposite of the drill points with masking tape to prevent damage to painted surfaces.

- c. Drill a 1/8 in (3 mm) pilot hole in the center of each drill point (1 and 2).
- d. Drill a 29/64 in (11.5 mm) hole at drill point (1) with a twist drill bit.
- e. Drill a 9/32 in (7.25 mm) hole at drill point (2) with a twist drill bit.
- f. Remove tape.
- g. Repeat for opposite side.

NOTE

Mirror assemblies and backing plates are marked with an R or L to indicate the left and right side assemblies.

The flange nut is a self locking nut and must not be tightened more than 30 in-lbs (3.4 Nm).

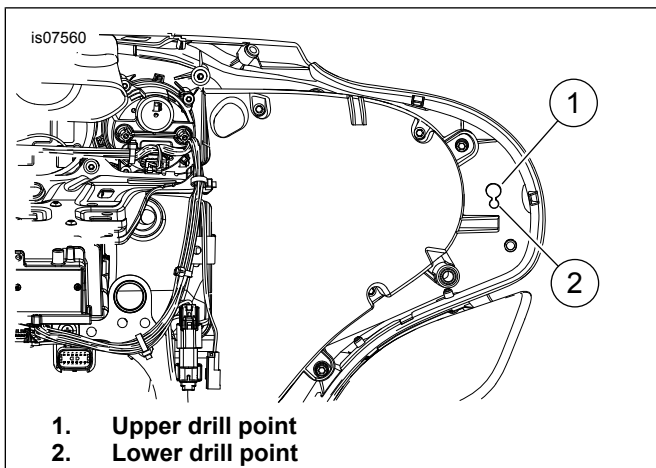
4. See Figure 2. Install mirror assembly (1).
 - a. With the locating pin (A) of the mirror assembly (1) inserting into the lower hole, install the mirror assembly.
 - b. Install backing plate over mirror assembly, so that the locating pin is secured in the small hole of the backing plate.
 - c. Install flange nut (3). Tighten to 2.3–3.4 N·m (20–30 in-lbs).
 - d. Repeat for opposite side.
5. See the service manual. Install the outer fairing and windshield.

NOTE

Remove safety decal from mirror before operating vehicle.

6. See the service manual. Install the main fuse.





1. Upper drill point
2. Lower drill point

Figure 1. Drill Points (Left Side Shown)

SERVICE PARTS

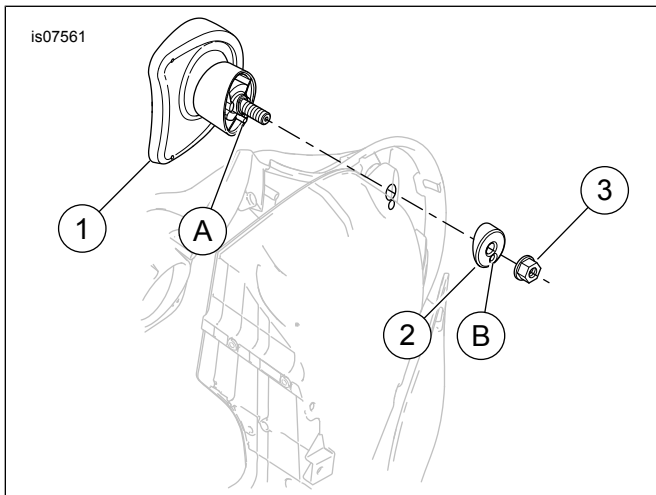


Figure 2. Service Parts: Fairing Mount Mirrors

Table 1. Service Parts

Item	Description (Quantity)	Part Number
1	Mirror assembly, left	56000011
	Mirror assembly, left, chrome	Not sold separately
	Mirror assembly, right (not shown)	56000012
	Mirror assembly, right, chrome (not shown)	Not sold separately
2	Backing plate, left	56000015
	Backing plate, right (not shown)	56000016
3	Flange nut	7687
Items mentioned in text.		
A	Locating pin	
B	Small hole	