



INSTRUCTIONS

J05608

2012-07-12



CHROME BATTERY AND ELECTRICAL CADDY COVER

GENERAL

Kit Number

61300186

Models

For model fitment information, see the P&A Retail Catalog or the Parts and Accessories section of www.harley-davidson.com (English only).

Additional Parts Required

Separate purchase and installation of additional parts or accessories may be required for proper installation of this kit on your model motorcycle. See the P&A Retail Catalog or the Parts and Accessories section of www.harley-davidson.com (English only) for a list of required parts or accessories for your model.

⚠ WARNING

Rider and passenger safety depend upon the correct installation of this kit. Use the appropriate service manual procedures. If the procedure is not within your capabilities or you do not have the correct tools, have a Harley-Davidson dealer perform the installation. Improper installation of this kit could result in death or serious injury. (00333b)

NOTE

This instruction sheet references service manual information. A service manual for your model motorcycle is required for this installation and is available from a Harley-Davidson Dealer.

Kit Contents

See Figure 5

REMOVE

1. See Figure 3. Remove button-head screw (A) that attaches battery cover (B) to battery tray (C).
2. See Figure 1. Remove battery cover by lifting it over the two tabs on the battery tray.

NOTE

The original equipment battery cover trim has four pinch tabs on the reverse side that attach it to the battery cover.

3. See Figure 2. Remove original equipment battery cover trim from battery cover by pushing the four pinch tabs out of the battery cover using a pliers or suitable tool.
4. When the trim is attached with tape you will need to remove it with heat.

INSTALLATION

1. See Figure 3. Place new battery cover (2) Figure 5 over the two tabs on battery tray (C) and attach it to battery tray with button-head screw (A). Tighten screw to 20-40 **in-lbs** (2.3-4.6 Nm).
2. See Figure 3. Obtain battery cover trim (D). If OE was retained with tabs, snap onto battery cover. If trim was retained with tape remove tape from trim and continue to step 3.
3. Using a 50/50 isopropyl alcohol/water solution, thoroughly clean the surface of the chrome trim and the battery cover where the chrome trim will be installed. Let it dry completely.

NOTE

Test the trim mount fit prior to removing the adhesive backing from the chrome battery cover trim.

4. See Figure 5. Retrieve the tape (items (3 and 4) from kit, remove adhesive liner from one side of tape and attach to trim piece. Remove adhesive liner from one side of tape and proceed to step 5.

NOTE

The ideal temperature should be at least 60°F (16°C) for proper adhesion of the chrome trim on the battery cover.

5. Center and install chrome trim onto the battery cover. Apply firm pressure for one minute using a cloth to prevent scratching the battery cover and battery trim.
6. Let the adhesive cure for 24 hours at no less than 60°F (16°C).

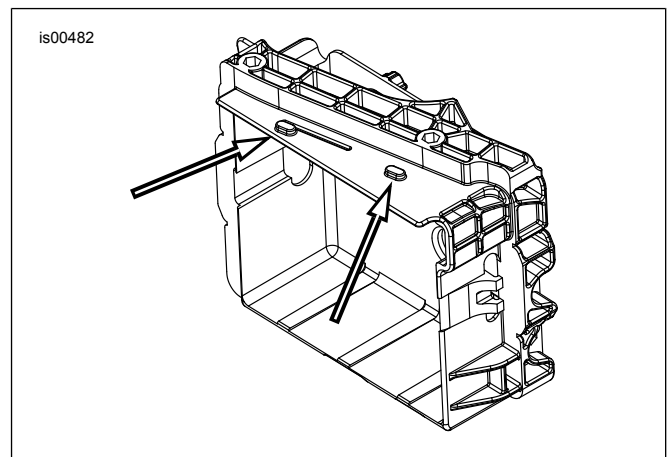


Figure 1. Position of Tabs on Battery Tray



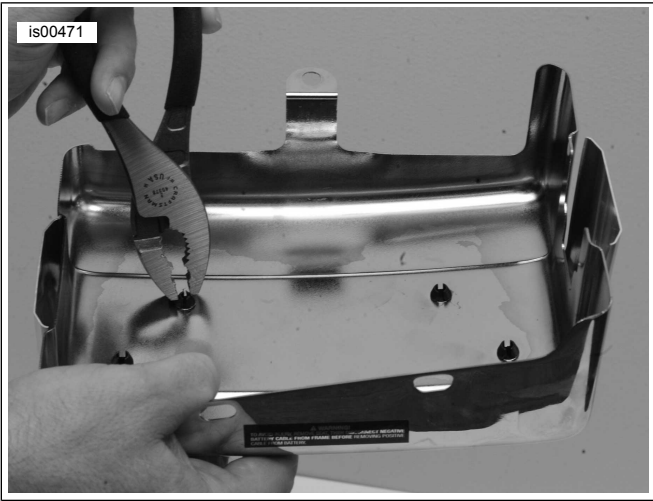


Figure 2. Push pinch tabs out of battery cover.

INSTALLATION

1. See Figure 4. Remove the existing caddy cover. Pull top of cover off retention bumps and then down to release from tab at bottom.
2. Install new cover item 1, Figure 5, by inserting bottom tab of electrical caddy into cover and push cover onto caddy.

SERVICE PARTS

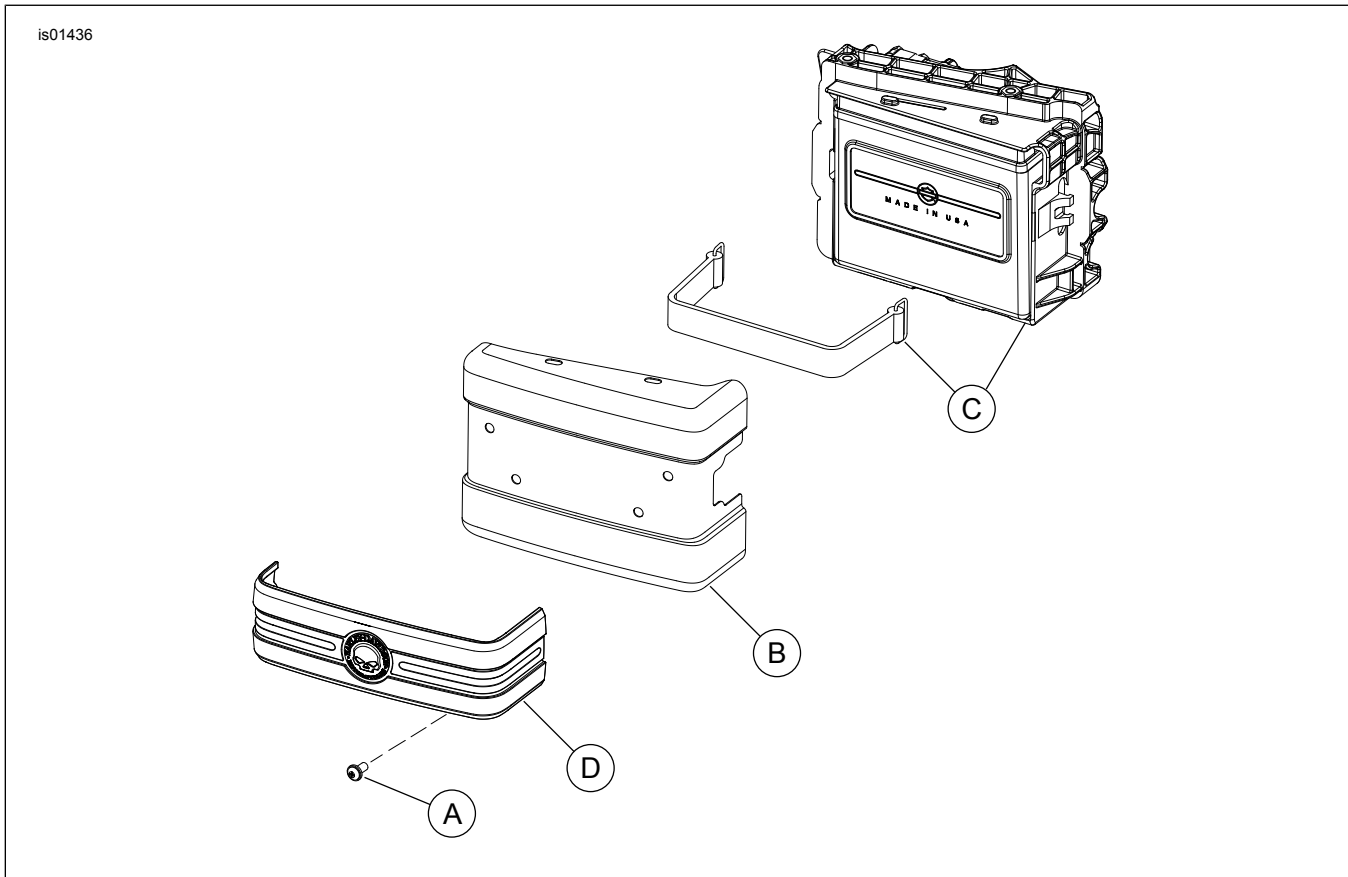


Figure 3. Service Parts: Original Equipment Battery Cover Trim

Table 1. Service Parts: Original Equipment Battery Cover Trim

Item	Description (Quantity)
Original equipment parts, not included in kit:	
A	Button-head screw
B	Battery cover
C	Battery cover tray, battery, and strap
D	Chrome battery cover trim (Skull logo shown)

is07394

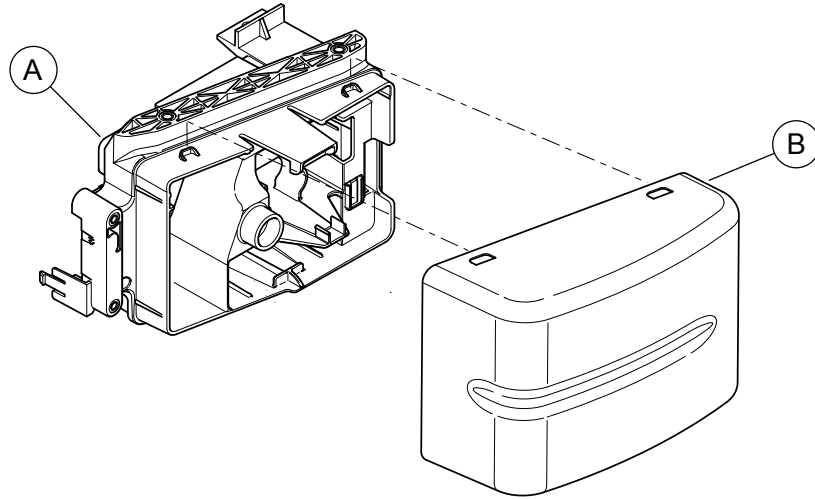


Figure 4. Service Parts: Electrical Caddy and Caddy Cover

Table 2. Service Parts: Electrical Caddy and Caddy Cover

Item	Description (Quantity)
Original equipment parts, not included in kit:	
A	Electrical caddy
B	Caddy cover

is07396b

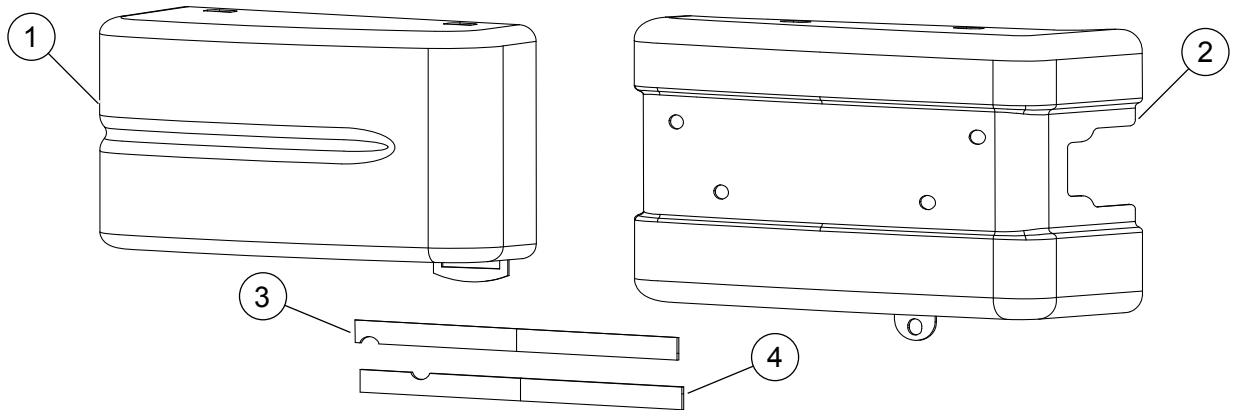


Figure 5. Electrical Caddy and Caddy Cover

Table 3. Service Parts Table

Item	Description (Quantity)	Part Number
1	Cover assembly, electrical caddy	69200101
2	Battery cover	66375-06
3	Battery cover trim, lower tape	Not Sold Separately
4	Battery cover trim, upper tape	Not Sold Separately