



INSTRUCTIONS

J06288

2016-11-09



MILWAUKEE-EIGHT SCREAMIN' EAGLE VENTILATOR AIR CLEANER KIT

GENERAL

Kit Numbers

29400298, 29400299

Models

For model fitment information, see the P&A retail catalog or the Parts and Accessories section of www.harley-davidson.com (English only).

Installation Requirements

Proper installation of this kit requires ECM calibration. Contact a Harley-Davidson dealer for details.

This kit requires the separate purchase of Air Cleaner/Degreaser (99883-88T) which is available from a Harley-Davidson dealer.

This kit requires the separate purchase of LOCTITE 243 MEDIUM STRENGTH THREADLOCKER AND SEALANT (BLUE) (99642-97)

⚠ WARNING

Rider and passenger safety depend upon the correct installation of this kit. Use the appropriate service manual procedures. If the procedure is not within your capabilities or you do not have the correct tools, have a Harley-Davidson dealer perform the installation. Improper installation of this kit could result in death or serious injury. (00333b)

NOTE

This instruction sheet references service manual information. A service manual for your model motorcycle is required for this installation. One is available from a Harley-Davidson dealer.

Kit Contents

See Figure 2 and Table 1.

NOTE

This Screamin' Eagle Ventilator Elite Performance Air Cleaner is intended for high performance applications only. This engine-related performance part is legal for sale or use in California on pollution controlled motor vehicles. Engine-related performance parts are intended FOR THE EXPERIENCED RIDER ONLY.

REMOVAL

⚠ WARNING

To prevent accidental vehicle start-up, which could cause death or serious injury, remove main fuse before proceeding. (00251b)

1. Remove main fuse. See the service manual.
2. See the service manual. Remove the Original Equipment (OE) air cleaner.
3. See the service manual. Remove fuel tank.
4. See Figure 1. Remove and discard the induction module support bracket.

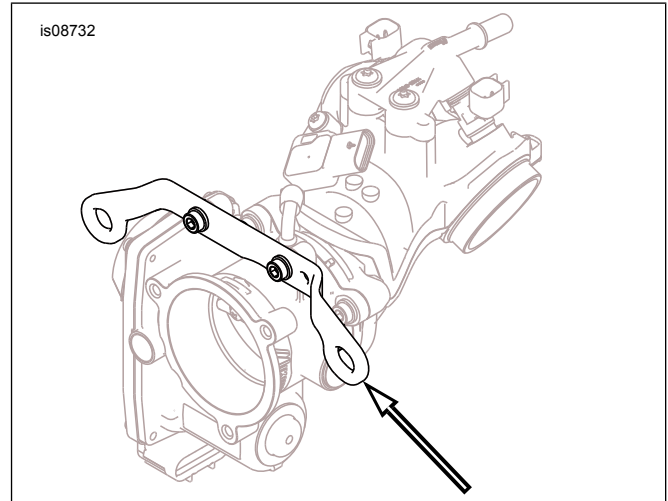


Figure 1. Remove Induction Module Support Bracket

INSTALLATION

Air Cleaner Installation

⚠ WARNING

Use only supplied air cleaner cover. Use of another air cleaner cover could cause element failure and detachment of the air cleaner cover, which could distract the rider and result in death or serious injury. (00596b)

NOTE

When servicing the air cleaner, apply LOCTITE 243 MEDIUM STRENGTH THREADLOCKER AND SEALANT (BLUE) (99642-97) to the threads of all fasteners.



1. See Figure 2. Peel the protective strip off the gasket (3) and place the adhesive side onto the backplate (2). Align to the equally spaced screw holes, and position the gasket carefully before firmly pressing the gasket into place.
2. Insert OE breather screws (A) through the backplate.
3. Apply threadlocker to the breather screw threads and the mating tapped holes in the cylinder head.
Consumable: LOCTITE 243 MEDIUM STRENGTH THREADLOCKER AND SEALANT (BLUE) (99642-97)
4. Install breather screws into the cylinder head, but do not tighten.
5. Install air cleaner screws (4) all the way through the backplate (2) until the screw threads are captured in the induction module. Do not completely tighten at this time.
6. Alternately secure the two breather screws. Tighten.
Torque: 29.8–32.5 N·m (22–24 ft-lbs)
7. Secure three air cleaner screws (4). Tighten.
Torque: 6.2–6.8 N·m (55–60 in-lbs)
8. See service manual. Install fuel tank.

Air Cleaner Element and Cover Installation

NOTE

Whenever the air cleaner cover is installed, apply LOCTITE 243 MEDIUM STRENGTH THREADLOCKER AND SEALANT (BLUE) (99642-97) to the air cleaner cover screws (5).

1. See Figure 2. Install breather tubes (10 and 11) to breather screw nipple and ribs in the backplate.
2. Install air filter element (6) and cover (7) to backplate using button hex cap screws (5). Tighten.
Torque: 6.2–6.8 N·m (55–60 in-lbs)
3. Install air cleaner medallion (8) using BHCS screws (9). Tighten.
Torque: 3.1–3.6 N·m (27–32 in-lbs)

NOTE

Install the rain sock over the air filter element in wet or rainy conditions to prevent water intrusion.

- **If parked**, water could enter the engine.
- **If moving**, enough water could be sucked in to cause engine misfiring.

Slip the rain sock (10) over the air filter element under these circumstances.

Final Assembly

1. See the service manual. Install main fuse.

ECM Recalibration

NOTICE

You must recalibrate the ECM when installing this kit. Failure to properly recalibrate the ECM can result in severe engine damage. (00399b)

MAINTENANCE

Air Cleaner Element Maintenance

NOTE

When servicing the air cleaner, apply LOCTITE 243 MEDIUM STRENGTH THREADLOCKER AND SEALANT (BLUE) (99642-97) to the threads of all fasteners.

1. Remove the air cleaner cover center screw.
2. Tap the element to dislodge any loose dirt. Gently brush with a soft bristle brush.
3. Spray air filter cleaner liberally onto the cotton filter media. Let soak for ten minutes OR roll and soak the cotton filter media in a shallow pan of air filter cleaner. Remove immediately, and let soak for ten minutes.
4. Rinse off the filter media (flowing from the **clean** side to the dirty side), with low-pressure tap water.
5. After rinsing, shake off all excess water, and let the filter media air dry. DO NOT use compressed air or a heat gun to speed drying.
6. After the filter media is **completely** dry. EITHER spray air filter oil along each pleat, once only, holding the spray nozzle approximately 8 cm (3 in) away from the media, OR carefully use a squeeze bottle to deposit oil along each pleat, once only. **Let the oil absorb into the filter media for 20 minutes before proceeding.** After 20 minutes, inspect the filter media. Carefully apply oil to any remaining visible white spots on the filter media. Allow to absorb.

Service Parts

is08731b

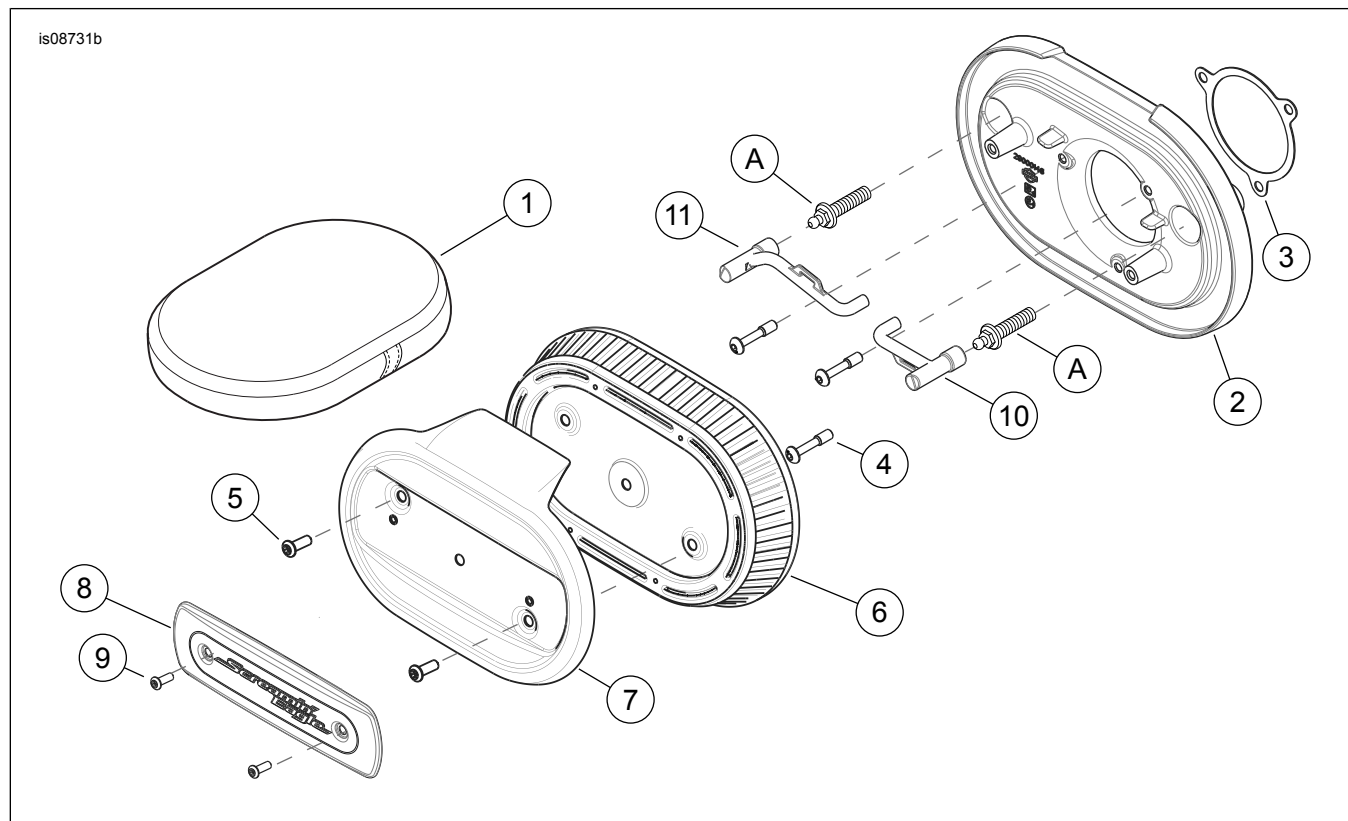


Figure 2. Service Parts: Milwaukee-Eight Screamin' Eagle Ventilator Air Cleaner Kit

Table 1. Service Parts Table

Item	Description (Quantity)	Part Number
1	Rain sock	61300721
2	Backplate assembly, black (Kit 29400298)	29000148
	Backplate assembly, chrome (Kit 29400299)	29000198
3	Gasket, throttle body	29000149
4	Screw, hex socket button head cap (3)	869
5	Screw, hex socket button head, 1/4-20 x 3/4 long (bright finish) (2)	923
6	Element, air filter	29400293
7	Cover, air cleaner, chrome (kit 29400299)	61300750
	Cover, air cleaner, black (kit 29400298)	61300751
8	Medallion, air cleaner	14100871
9	Screw, button head, hex socket, #10-24 x 3/8 inch long (stainless steel) (2)	3048
10	Breather tube, front	29400336
11	Breather tube, rear	29400337
Item mentioned in text, but not included in kit:		
A	OE breather screw (2)	