



INSTRUCTIONS

J06031

2014-10-22



INNER FAIRING TRIM KIT

GENERAL

Kit Number

61400296

Models

For model fitment information, see the P&A Retail Catalog or the Parts and Accessories section of www.harley-davidson.com (English only).

Kit Contents

See Figure 2 and Table 1.

INSTALLATION

NOTE

- Ambient temperature should be between 21 °C (70 °F) and 38 °C (100 °F) for proper adhesion. Do not apply below 10 °C (50 °F).
- Parts cannot be repositioned after initial adhesive installation.
- Allow AT LEAST 24 hours after application before exposing the area to vigorous washing, strong water spray or extreme weather.
- The adhesive bond will increase to maximum strength after about 72 hours at normal room temperature.
- Do not clean with denatured alcohol, mineral spirits or other solvents. Damage to components may occur.

1. Using a 50:50 isopropyl alcohol/water solution, thoroughly clean trim mounting surfaces. Allow to dry completely.
2. Install radio bezel (4)
 - a. With the adhesive backing still in place, test fit the radio bezel to mounting location.
 - b. Remove the adhesive backing. Install the radio bezel to the inner fairing.
 - c. Press surface of bezel firmly to make sure that there is good adhesion.
3. Install speedo/tach trim (1)
 - a. With the adhesive backing still in place, test fit the speedo/tach trim to mounting location.
 - b. Remove the adhesive backing. Install the speedo/tach trim to the speedo/tach.
 - c. Press surface of trim firmly to make sure that there is good adhesion.

4. Install gauge bezels (3, 5). Start with left gauge bezel (marked with embossed "L").
 - a. With the adhesive backing still in place, fit the bezel to the gauge opening. Rotate the bezel until it seats in the fairing.
 - b. Place a reference mark on the bezel and on the fairing.
 - c. Remove the adhesive backing from gauge bezel.
 - d. Align the reference marks and install gauge bezel to mounting location.
 - e. Press surface of bezels firmly to make sure that there is good adhesion.
 - f. Repeat for right side bezel.

NOTE

Do not damage speaker when inserting right angle tool.

5. Install speaker trim (2, 6).
 - a. See Figure 1. Carefully insert a right angle tool (3) through a hole in the left grille next to one retainer (1).
 - b. Pull to release retainer.
 - c. Repeat with remaining retainer.
 - d. Remove speaker grille.
 - e. With the adhesive backing still in place, test fit left speaker trim to speaker grille.
 - f. Remove the adhesive backing from speaker trim.
 - g. Install speaker trim to speaker grille.
 - h. Press surface of trim firmly to make sure that there is good adhesion.
 - i. Verify that rubber gasket is in place on perimeter of grille.
 - j. Engage tab (2) into grille opening.
 - k. Engage retainers (1) in slots.
 - l. Push on grille in retainer areas until an audible click is heard.
 - m. Repeat for right side speaker trim.

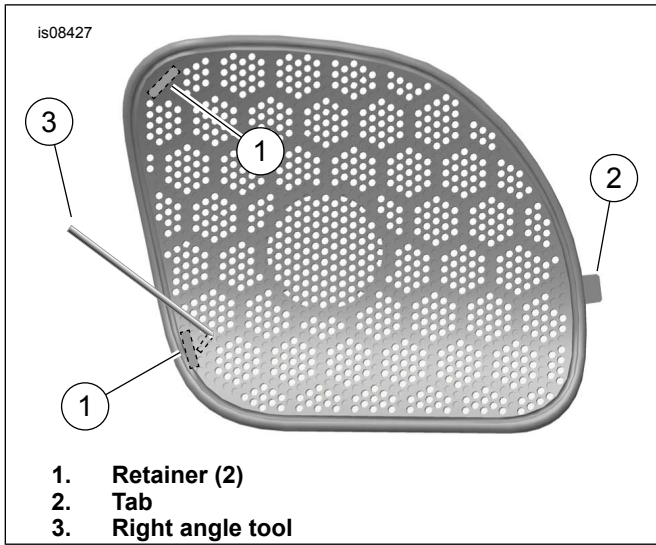


Figure 1. Remove Speaker Grille

SERVICE PARTS

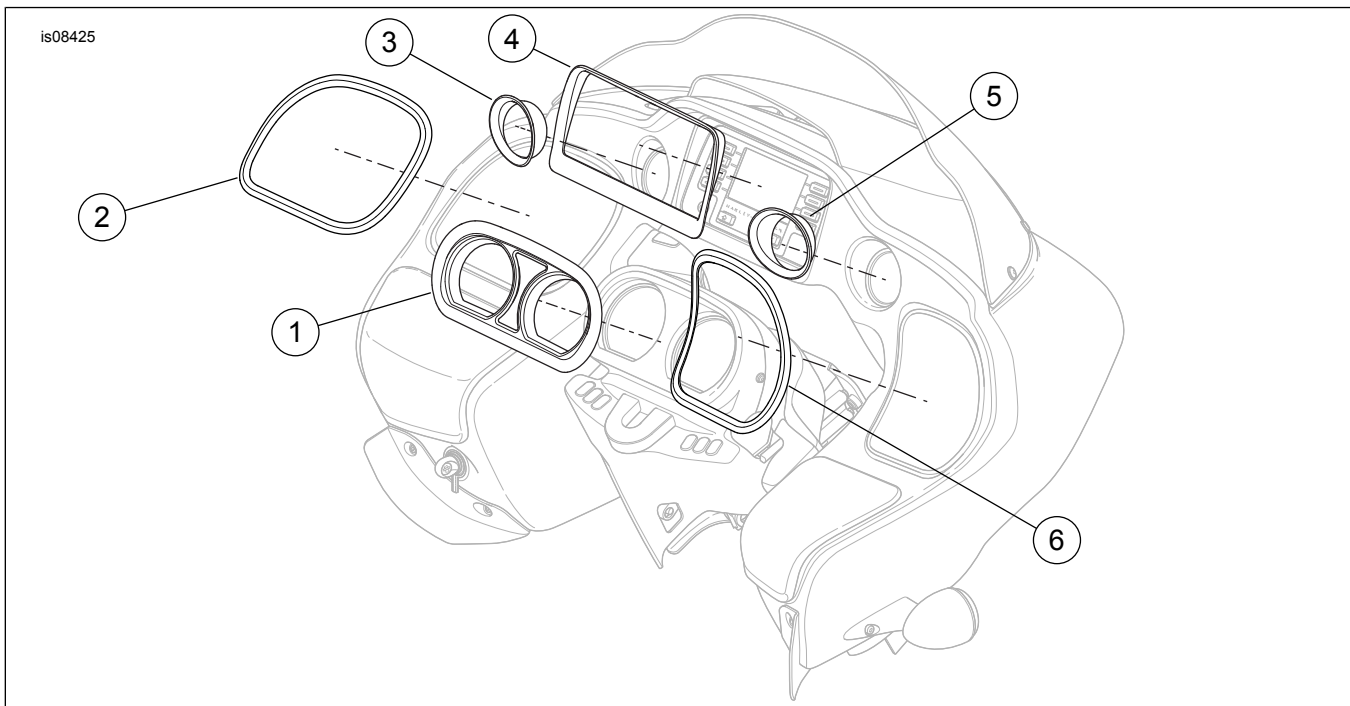


Figure 2. Service Parts

Table 1. Service Parts

Item	Description (Quantity)	Part Number
1	Speedo/Tach Trim	Available within kit 61400299
2	Speaker grill, left	Available within kit 61400297
3	Gauge bezel, left	Available within kit 61400299
4	Radio bezel	61400298
5	Gauge bezel, right	Available within kit 61400299
6	Speaker grill, right	Available within kit 61400297