



INSTRUCTIONS

J06318

2022-05-26



H-D SMART SECURITY SYSTEM

GENERAL

Kit Number

41000460, 41000461

Models

For model fitment information, see the P&A retail catalog or the Parts and Accessories section of www.harley-davidson.com (English only).

NOTE

Always disarm the vehicle by turning the IGN ON with the fob present before removing or disconnecting the battery. This prevents the siren (if installed) from activating.

The security system functionality is provided by a Security Control Module (SCM). The SCM will disable the starter and ignition system. Additional functions include the ability to alternately flash the left and right turn signals and sound a siren (if equipped) if a theft attempt is detected.

⚠ WARNING

Rider and passenger safety depend upon the correct installation of this kit. Use the appropriate service manual procedures. If the procedure is not within your capabilities or you do not have the correct tools, have a Harley-Davidson dealer perform the installation. Improper installation of this kit could result in death or serious injury. (00333b)

NOTE

This instruction sheet refers to service manual information. A service manual for this year/model motorcycle is required for this installation and is available from a Harley-Davidson dealer.

Installation Requirements

Proper installation of this kit requires the use of the following tool: DIGITAL TECHNICIAN II (PART NUMBER: HD-48650)

Kit Contents

⚠ WARNING



Contains button or coin cell battery. Hazardous if swallowed, can result in death or serious injury. (13807a)

See Figure 2 and Table 1.

PREPARATION

⚠ WARNING

To prevent accidental vehicle start-up, which could cause death or serious injury, remove main fuse before proceeding. (00251b)

1. Remove main fuse. See service manual.
2. Remove seat. See service manual.

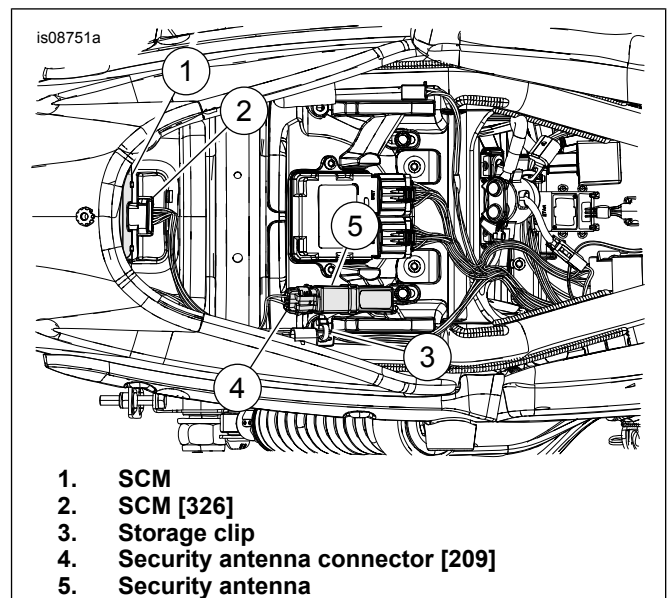


Figure 1. Under Seat

3. See Figure 1. Install SCM (1) and connect the connector (2).
4. Locate security antenna storage clip (3) and remove security antenna connector.
5. Connect security antenna connector (4) to security antenna (5) and install antenna.
6. Install seat. After installing seat, pull up on the seat to verify that it is secure. See service manual.
7. Install main fuse. See service manual.
8. Using Digital Technician II (DT II), program SCM.

SERVICE PARTS

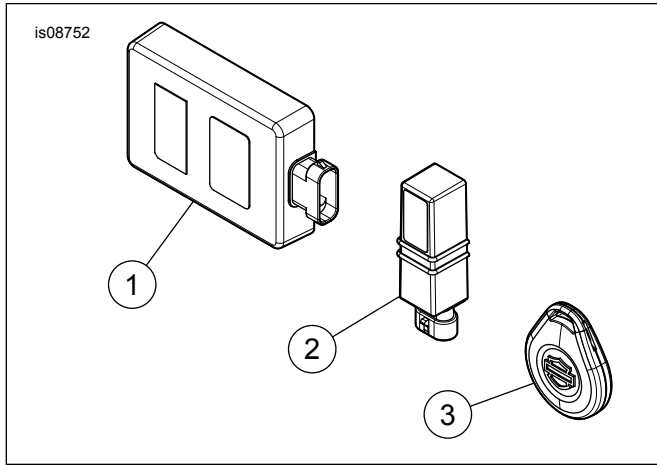


Figure 2. Service Parts

Table 1. Service Parts

Item	Description (Quantity)	Part Number
1	SCM (Non-HDI) (1)	41000344
	SCM (HDI) (1)	41000374
2	Security system antenna (1)	41000372
3	Security fob (Non-HDI)(1)	90300117
	Security fob (HDI)(1)	60300119