



# INSTRUCTIONS

J05864

2013-06-24



## SPEAKER ENCLOSURE KIT

### GENERAL

#### Kit Number

76000505

#### Models

For model fitment information, see the P&A retail catalog or the Parts and Accessories section of [www.harley-davidson.com](http://www.harley-davidson.com) (English only).

#### Additional Parts Required

##### NOTE

A speaker software flash must be performed on the radio installed on the motorcycle **at the dealer** before the speakers will function.

Separate purchase of a King Tour-Pak<sup>®</sup> is required for this installation. See a Harley-Davidson dealer for availability of color-matched Tour-Paks and additional items that may be required when mounting the Tour-Pak to your vehicle.

Separate purchase of rear speakers is required for installation of this kit. See a Harley-Davidson dealer for additional information.

##### ⚠ WARNING

**Rider and passenger safety depend upon the correct installation of this kit. Use the appropriate service manual procedures. If the procedure is not within your capabilities or you do not have the correct tools, have a Harley-Davidson dealer perform the installation. Improper installation of this kit could result in death or serious injury. (00333b)**

##### NOTE

*This instruction sheet references service manual information. A service manual for your model motorcycle is required for this installation and is available from a Harley-Davidson dealer.*

#### Kit Contents

See Figure 3 and Table 1.

#### REMOVAL

##### ⚠ WARNING

**To prevent accidental vehicle start-up, which could cause death or serious injury, remove main fuse before proceeding. (00251b)**

##### ⚠ WARNING

**To prevent spray of fuel, purge system of high-pressure fuel before supply line is disconnected. Gasoline is extremely flammable and highly explosive, which could result in death or serious injury. (00275a)**

##### ⚠ WARNING

**Gasoline can drain from the fuel line when disconnected from fuel tank. Gasoline is extremely flammable and highly explosive, which could result in death or serious injury. Wipe up spilled fuel immediately and dispose of rags in a suitable manner. (00260a)**

1. See the service manual and follow the instructions to remove:
  - a. Main fuse
  - b. Tour-Pak
  - c. Seat
  - d. Outer fairing and fuel tank (depending on radio, amplifier and speaker configuration)

##### NOTE

*Depending on radio, amplifier and speaker configuration, wiring may already be in place and routed under the fuel tank.*

#### INSTALLATION

1. See Figure 1. Apply masking tape to the speaker mounting areas (1).
2. Align the speaker enclosure with the Tour-Pak so the upper edge is below the lip of the Tour-Pak and the outer edge is aligned with the Tour-Pak.
3. Use a grease pen to mark the speaker pod holes onto the masking tape.
4. Repeat Steps 3 and 4 for other speaker enclosure.
5. Check measurements of hole markings against approximate dimensions in Figure 2. Verify that 2.5 inch (63.5 mm) hole will not break through the outboard corner of Tour-Pak. Adjust hole markings if necessary.
6. Drill a small pilot hole in each of the hole locations.
7. Cut large hole with a 2.5 in (63.5 mm) hole saw.
8. Drill 5/16 in diameter holes for screws.



9. See Figure 3. Install six jack nuts (6) into speaker enclosures.

10. Install gaskets (12) on speaker enclosures and insert brackets (13, 14).

**NOTE**

If screws (5) do not have a lockpatch, apply **LOCTITE® 243 THREADLOCKER AND SEALANT - BLUE** to threads.

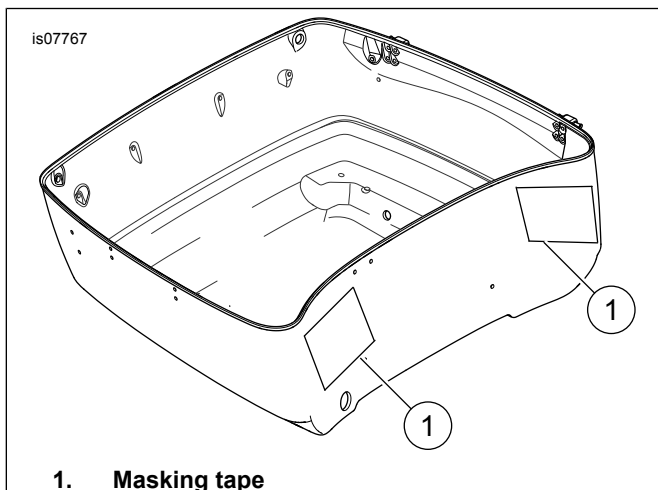
11. Install screws and washers (5, 7) from inside Tour-Pak into jack nuts. Tighten screws to 2.26–2.82 N·m (20–25 in-lbs).

12. Install grommets (8).

13. Install Tour-Pak following instructions in service manual.

14. Insert spade terminal ends of harness (2) into bottom of speaker enclosure:

- LBE and LBE/BK wires to left speaker enclosure
- LBE/O and LBE/GY wires to the right speaker enclosure



1. Masking tape

Figure 1. Speaker Enclosure Mounting Locations

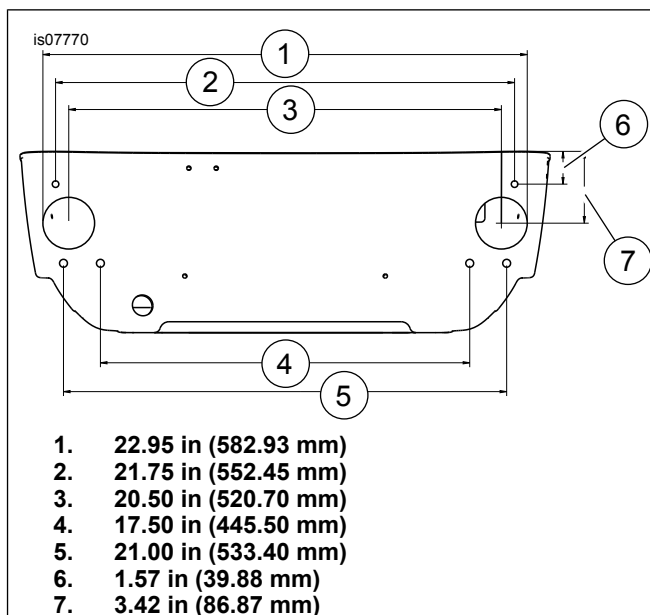


Figure 2. Hole Location Reference Dimensions (Approximate)

15. Route 4-way Molex end under seat. Connect as follows:

- **Vehicles with Speaker Expansion Kit:** Connect the 4-way Molex of harness (2) to connector [297] of the speaker expansion kit harness.
- **Vehicles with Radio, No Amplifier:** Connect harness (10) to connector [162] on top of radio.
- **Vehicles with Fairing Amp Only:** If not installed with fairing amplifier, connect harness (10) to connector [313] of fairing amplifier harness on top of radio. Connect pin side to socket side of harness (2). If harness (10) has been installed previously, discard harness (10) from this kit.

**FINAL ASSEMBLY**

**⚠ WARNING**

Be sure that steering is smooth and free without interference. Interference with steering could result in loss of vehicle control and death or serious injury. (00371a)

- Be sure wires do not pull tight when handlebars are turned fully to the left or right fork stops.

1. Secure harness with cable straps (11).
2. Install well nuts (1).
3. Connect spade terminals to speakers (purchased separately).
4. Install speakers and grilles with screws (9). Tighten screws to 1.35–2.03 N·m (12–18 in-lbs).

**⚠ WARNING**

After installing seat, pull upward on seat to be sure it is locked in position. While riding, a loose seat can shift causing loss of control, which could result in death or serious injury. (00070b)

5. See service manual and install the following:

- a. Seat
- b. Outer fairing (if removed)
- c. Fuel tank (if removed)
- d. Main fuse

6. Perform software update.

## SERVICE PARTS

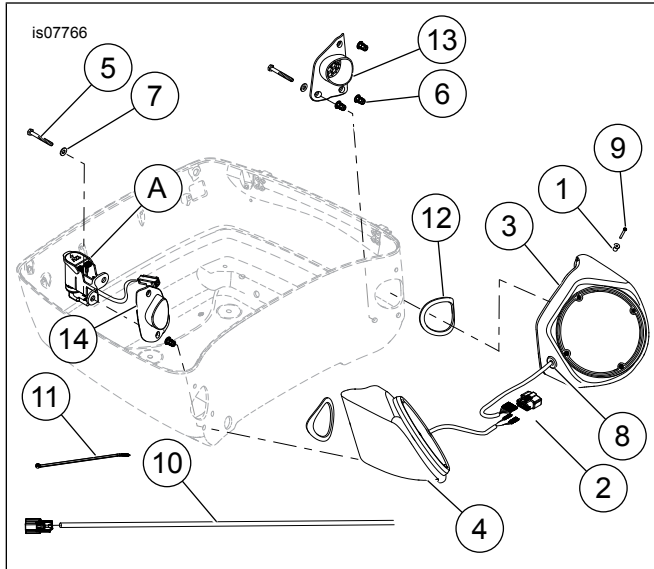


Figure 3. Service Parts: Speaker Enclosure Kit

Table 1. Service Parts

Item	Description (Quantity)	Part Number
1	Well nut (8)	5210
2	Speaker harness	Not Sold Separately
3	Speaker enclosure, left	Not Sold Separately
4	Speaker enclosure, right	Not Sold Separately
5	Screw (6)	3910
6	Jack nut (6)	5211
7	Washer	6703
8	Grommet (2)	11486
9	Screw (8)	10200105
10	Jumper harness	Not Sold Separately
11	Cable strap (6)	10006
12	Gasket (2)	76000174
13	Mounting bracket, left	Not Sold Separately
14	Mounting bracket, right	Not Sold Separately
Items shown but not included in kit:		
A	Power outlet (optional)	