



INSTRUCTIONS

J06341

2016-08-22



CHROME BRAKE AND CLUTCH MASTER CYLINDER/RESERVOIR KIT

GENERAL

Kit Numbers

41700463

Models

For model fitment information, see the P&A Retail Catalog or the Parts and Accessories section of www.harley-davidson.com (English only).

Additional Parts Required

⚠ WARNING

When any hydraulic brake component, line or connection is loosened or replaced on an ABS motorcycle, Digital Technician II must be used during the brake bleeding procedure to verify all air is removed from the system. Failure to properly bleed the brake system could adversely affect braking, which could result in death or serious injury. (00585c)

⚠ WARNING

Rider and passenger safety depend upon the correct installation of this kit. Use the appropriate service manual procedures. If the procedure is not within your capabilities or you do not have the correct tools, have a Harley-Davidson dealer perform the installation. Improper installation of this kit could result in death or serious injury. (00333b)

NOTE

This instruction sheet references service manual information. A service manual for your model motorcycle is required for this installation and is available from a Harley-Davidson dealer.

⚠ WARNING

Brakes are a critical safety component. Contact a Harley-Davidson dealer for brake repair or replacement. Improperly serviced brakes can adversely affect brake performance, which could result in death or serious injury. (00054a)

Tools and Supplies Required

Fresh, uncontaminated DOT 4 brake fluid from a sealed container is required. GM-40M grease (2 gram bag, part number 42820-04) will also be needed. These items are available from a Harley-Davidson Dealer.

If the original brake and clutch levers are reused, new retaining rings (Part Number 11143) must be installed.

Kit Contents

See Figure 1 and Table 1.

INSTALLATION

Prepare Motorcycle for Service

⚠ WARNING

To prevent accidental vehicle start-up, which could cause death or serious injury, remove main fuse before proceeding. (00251b)

1. Remove main fuse.

Remove and Install Clutch Fluid Reservoir

1. Follow the instructions in the service manual for the following procedures:
 - a. Remove the stock clutch master cylinder/reservoir.
 - b. Install clutch master cylinder/reservoir.
 - c. Fill clutch reservoir with new DOT 4 brake fluid.
 - d. Bleed the clutch master cylinder, clutch fluid line and secondary actuator.

Remove and Install Front Brake Fluid Reservoir

1. Follow the instructions in the service manual for the following procedures:
 - a. Remove the stock brake fluid reservoir.
 - b. Install brake fluid reservoir.
 - c. Fill reservoir with DOT 4 brake fluid.
 - d. Bleed the front brake system.

Return the Motorcycle to Service

1. Install main fuse.
2. With the ignition/light key switch turned to IGNITION, actuate the front brake hand lever to verify operation of the brake lamp.

⚠ WARNING

Be sure that no lubricants or fluids get on tires, wheels or brakes when changing fluid. Traction can be adversely affected, which could result in loss of control of the motorcycle and death or serious injury. (00047d)

▲ WARNING

After repairing the brake system, test brakes at low speed. If brakes are not operating properly, testing at high speeds can cause loss of control, which could result in death or serious injury. (00289a)

3. Test ride motorcycle at low speed.
 - a. Repeat the bleeding procedure if brakes feel spongy.
 - b. If the clutch drags or if the transmission shifts hard, repeat the clutch bleeding procedure.

SERVICE PARTS

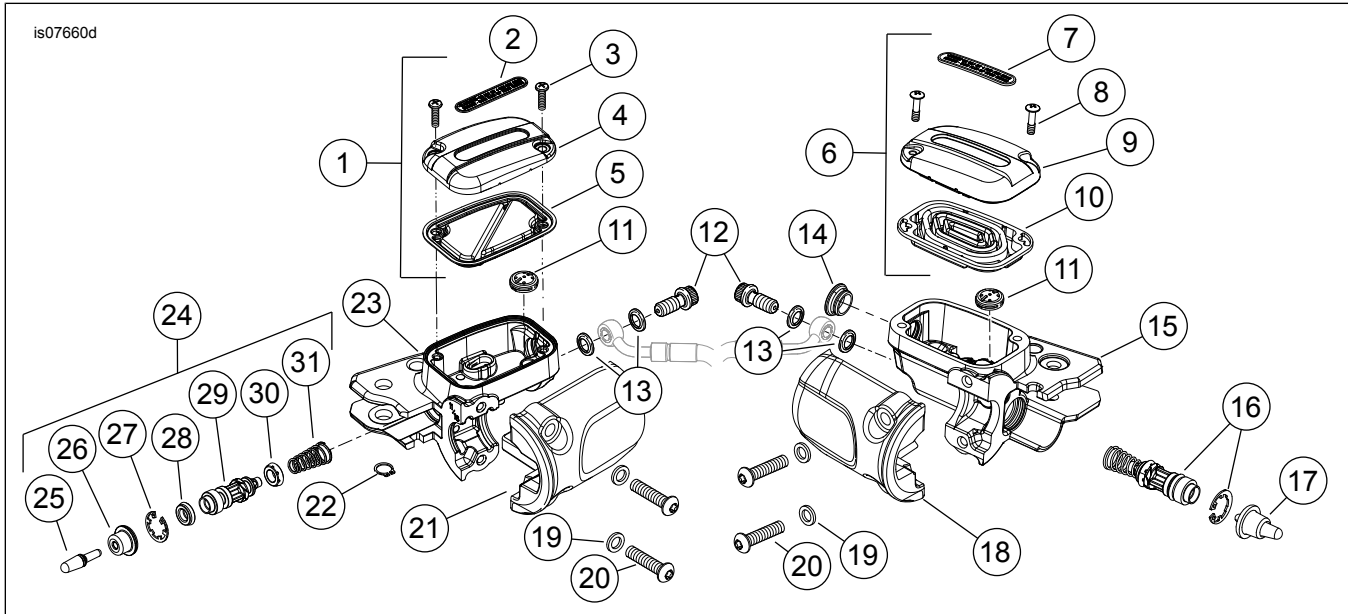


Figure 1. Service Parts: Chrome Clutch and Brake Master Cylinder/Reservoir Kit

Table 1. Service Parts: Chrome Master Cylinder/Reservoir Kit

Item	Description (Quantity)	Part Number
1	Kit, clutch master cylinder cover, chrome (items 2 through 5)	36700094
2	Decal	Not Sold Separately
3	Screw (2)	42882-06
4	Cover, master cylinder	Not Sold Separately
5	Gasket	Not Sold Separately
6	Kit, brake master cylinder cover, chrome (items 7 through 10)	42123-08
7	Decal	Not Sold Separately
8	Screw (2)	Not Sold Separately
9	Cover, master cylinder	Not Sold Separately
10	Gasket	Not Sold Separately
11	Anti-bubble button	41700367
12	Banjo bolt, brake line (4)	42010-06A
13	Gasket, brake line (4)	41751-06A
14	Sightglass kit	42854-06
15	Body, brake reservoir	Not Sold Separately
16	Repair Kit	42862-06B
17	Pushrod kit	42861-06B
18	Clamp, brake master cylinder, chrome	41700325
19	Washer (4)	6099
20	Screw (4)	4293
21	Clamp, clutch master cylinder, chrome	36700114
22	Retaining ring	11143
23	Body, clutch reservoir	Not Sold Separately
24	Rebuild Kit (includes items 25 through 31)	36700132
25	Pushrod	Not Sold Separately
26	Boot	Not Sold Separately
27	Retaining ring	Not Sold Separately
28	Piston seal 1	Not Sold Separately
29	Piston	Not Sold Separately
30	Piston seal 2	Not Sold Separately
31	Spring	Not Sold Separately