



INSTRUCTIONS

J05532

2011-11-03



BOOM! AUDIO 8 OHM SPEAKER KITS

GENERAL

Kit Numbers

76000256, 76000257

Models

For model fitment information, see the P&A retail catalog or the Parts and Accessories section of www.harley-davidson.com (English only).

Table 1. Speaker Kits

Kit	Application
76000256	Front Speaker Kit, Electra Glide models
76000257	Rear Speaker Kit, all models

NOTE

The speakers provided in these kits have an impedance of 8 Ohms, and are for use ONLY with the original equipment (OE) AM/FM/CD radio on select fitments. See the P&A retail catalog or the Parts and Accessories section of www.harley-davidson.com (English only).

Installation Requirements

▲ WARNING

Rider and passenger safety depend upon the correct installation of this kit. Use the appropriate service manual procedures. If the procedure is not within your capabilities or you do not have the correct tools, have a Harley-Davidson dealer perform the installation. Improper installation of this kit could result in death or serious injury. (00333b)

NOTE

This instruction sheet refers to service manual information. A service manual for this year/model motorcycle is required for this installation and is available from a Harley-Davidson dealer.

Kit Contents

Table 2. Kit 76000256 Contents

Description (Quantity)	Part Number
Speaker, premium (2)	Not sold separately
Speaker grille, left	Not sold separately
Speaker grille, right	Not sold separately
Screw, Phillips head, self-tapping (2)	Not sold separately

Table 3. Kit 76000257 Contents

Description (Quantity)	Part Number
Speaker, premium (2)	Not sold separately
Trim ring (2)	77050-10

PREPARATION

NOTE

For vehicles equipped with security siren:

- Disarm the siren with the key fob.

For Vehicles With Main Fuse:

▲ WARNING

To prevent accidental vehicle start-up, which could cause death or serious injury, remove main fuse before proceeding. (00251b)

1. See the service manual and remove the main fuse.

For Vehicles With Main Circuit Breaker:

▲ WARNING

To prevent accidental vehicle start-up, which could cause death or serious injury, disconnect negative (-) battery cable before proceeding. (00048a)

1. See the service manual to remove the seat and disconnect the negative (black) battery cable from the negative (-) battery terminal. Retain all seat mounting hardware.

For ALL Vehicles:

1. If replacing front fairing speakers: If replacing rear speakers: See the service manual to remove the speaker grilles and speakers from the speaker boxes.
 - a. See the service manual to remove the outer fairing and windshield.
 - b. Follow service manual instructions to remove the front fairing speakers and adapters.

INSTALLATION

Front Fairing Speakers

NOTE

To prevent permanent damage to the woofers and outer fairings, the original speaker adapters MUST be reused after the following modifications are made.

1. Peel off and discard the plastic grille and fabric from the OE adapter faces. Clean off any dirt or dried adhesive.

NOTE

The speaker grilles are side-specific. The grilles install so that the tweeter is to the outboard side of the vehicle.



2. See Figure 1. Position the correct **new** speaker grille (2) against the face of the adapter (1) as shown, with the thick edge of the adapter **up**, and the tweeter (3) to the outboard side of the vehicle. Feed the tweeter wires out between the tweeter and adapter on the outboard side, routed through the notch in the adapter. Position a **new** speaker (4) against the rear face of the adapter as shown, with the spade terminals (5) pointed **up**.
3. See Figure 2. Connect the wires from the grille-mounted tweeter to the spade terminals (1) and (2) on the back of the speaker. Different size spade contacts prevent improper assembly.
4. Align the mounting holes in the speaker, adapter and grille. Use the two longer TORX® screws removed earlier to fasten all three components to the inner fairing through the two top holes. See Figure 1. Use a **new** Phillips head screw (6) from the kit in the lower outboard hole, capturing the fairing support brace under the screw head. The lower inboard hole is not used.
5. Tighten the **lower** screw to 2.5–3.2 N·m (22–28 **in-lbs**). Tighten the **upper** screws to 4–5.7 N·m (35–50 **in-lbs**).
6. See Figure 2. Install the socket terminals from the vehicle harness to the spade terminals (3) and (4) on the back of the speaker. Different size spade contacts prevent improper assembly.
7. Repeat Steps 1 through 6 for the remaining speaker on the opposite side of the vehicle, then proceed to **Rear Speakers** or **RETURN TO SERVICE** as appropriate.

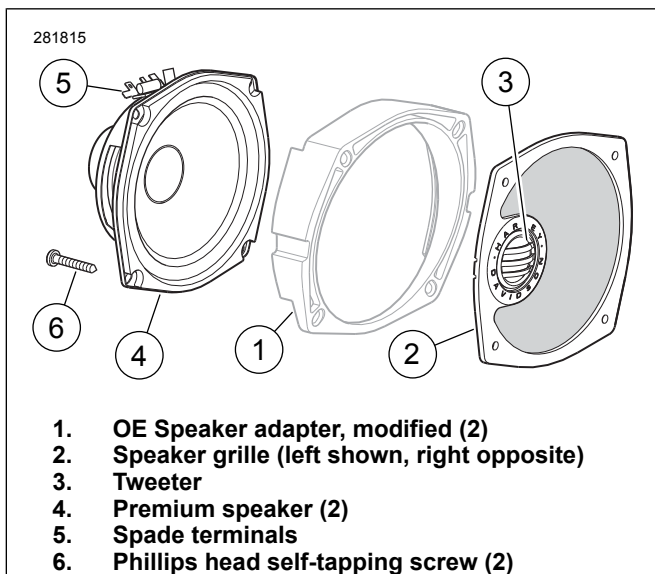


Figure 1. Boom! Audio Front Speaker Kit Components for Electra Glide and Trike

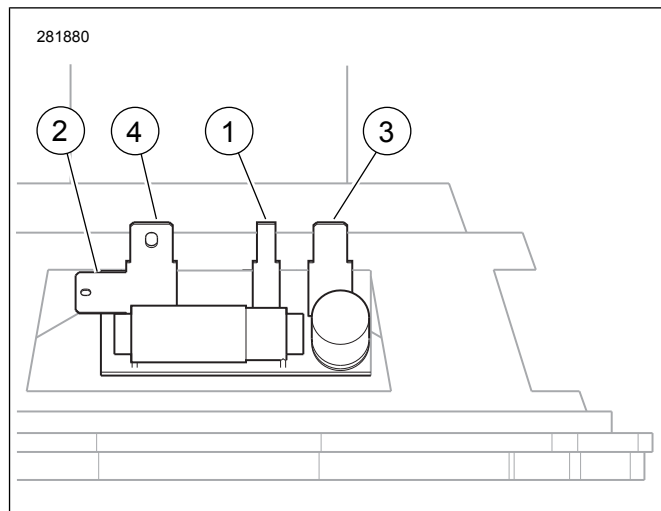


Figure 2. Bagger Speaker Spade Terminals

Rear Speakers

1. See Figure 3. Position a speaker grille (2) against the face of a speaker (1) as shown, with the speaker spade terminals (4) pointed **down**, and the tweeter (3) at the bottom of the grille. Feed the tweeter wires downward and out between the grille and speaker.
2. See Figure 2. Connect the wires from the grille-mounted tweeter to the spade terminals (1) and (2) on the back of the speaker. Different size spade contacts prevent improper assembly.
3. Install the socket terminals from the vehicle harness to the spade terminals (3) and (4) on the back of the speaker. Different size spade contacts prevent improper assembly.
4. With the tweeter at the bottom and the mounting holes aligned, install the speaker and grille into the speaker box with the four Phillips screws removed earlier. Use a crosswise pattern to tighten all four screws .
5. Repeat Steps 1 through 4 for the remaining speaker on the opposite side of the vehicle, then proceed to **RETURN TO SERVICE**.

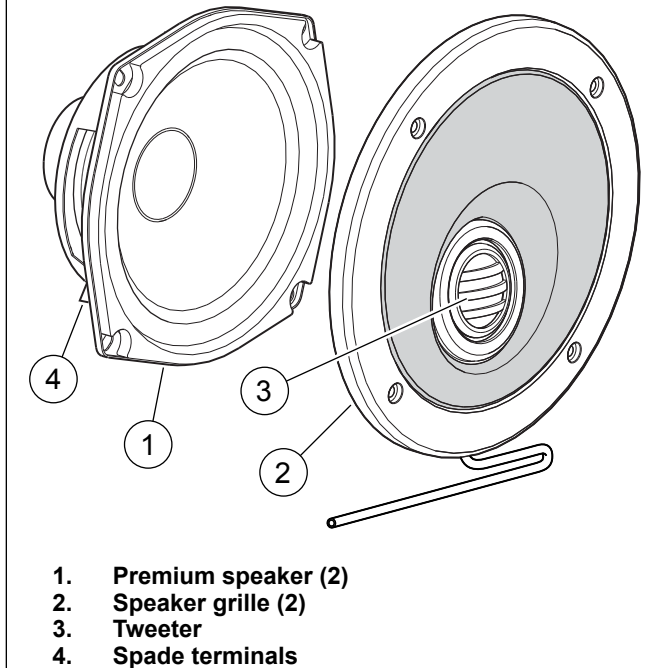


Figure 3. Boom! Audio Rear Speaker Kit Components

RETURN TO SERVICE

NOTE

- Before installing the outer fairing, check that speakers are operating correctly, understanding that full sound quality and fidelity will not be achieved until the outer fairing is completely installed.
 - To prevent possible damage to the sound system, verify that the ignition key switch is in the OFF position **before** installing the main fuse or attaching the negative battery cable.
1. **Models with main fuse:** See the service manual to install the main fuse. **Models with main circuit breaker:** See the service manual and attach the negative battery cable. Apply a light coat of Harley-Davidson electrical contact lubricant (Part No. 99861-02), petroleum jelly or corrosion retardant material to the negative battery terminal.
 2. Turn the ignition key switch to IGNITION, but do not start the motorcycle.
 3. Refer to the PREMIUM SOUND SYSTEM section of the owner's manual and turn the radio or CD player ON. Make sure all speakers are working and front/rear fader function is operating correctly. If not, check speaker wiring.
 4. See the service manual to install the outer fairing and windshield.

⚠ WARNING

After installing seat, pull upward on seat to be sure it is locked in position. While riding, a loose seat can shift causing loss of control, which could result in death or serious injury. (00070b)

5. See the service manual and install the seat.

IN USE

During use, the domed tweeters may appear to take on an orange tint near the base of the dome. This tint is a natural property of the Ferrofluid used to provide proper voice coil functionality. This does not affect speaker performance.