



# INSTRUCTIONS

J05769

2013-06-25



## ELECTRICAL CONNECTION HARNESS

### GENERAL

#### Kit Number

69200722

#### Models

For model fitment information, see the P&A retail catalog or the Parts and Accessories section of [www.harley-davidson.com](http://www.harley-davidson.com) (English only).

This harness provides battery power, ignition/accessory power and ground connection from the eight-way Molex P&A accessory connector [4A] to accessories connecting through a four-way Deutsch connector.

#### Installation Requirements

An Ultratorch UT-100 (Part No. HD-39969), Robinair Heat Gun (Part No. HD-25070) with Heatshrink Attachment (Part No. HD-41183), or other suitable radiant heating device is required for the proper installation of this kit.

Deutsch Terminal Crimp Tool (HD-39965) is also required.

#### ⚠ WARNING

Rider and passenger safety depend upon the correct installation of this kit. Use the appropriate service manual procedures. If the procedure is not within your capabilities or you do not have the correct tools, have a Harley-Davidson dealer perform the installation. Improper installation of this kit could result in death or serious injury. (00333b)

#### NOTE

*This instruction sheet refers to service manual information. A service manual for this year/model motorcycle is required for this installation. One is available from a Harley-Davidson dealer.*

#### Electrical Overload

#### NOTICE

It is possible to overload the vehicle's charging system by adding too many electrical accessories. If the combined electrical accessories operating at any one time consume more electrical current than the vehicle's charging system can produce, the electrical consumption can discharge the battery and cause damage to the vehicle's electrical system. (00211d)

#### ⚠ WARNING

When installing any electrical accessory, be certain not to exceed the maximum amperage rating of the fuse or circuit breaker protecting the affected circuit being modified. Exceeding the maximum amperage can lead to electrical failures, which could result in death or serious injury. (00310a)

The power from this harness is fused at 15 amps through the vehicle harness.

#### Kit Contents

This harness comes fully assembled.

See Figure 1 and Table 1.

#### PREPARATION

#### ⚠ WARNING

To prevent accidental vehicle start-up, which could cause death or serious injury, remove main fuse before proceeding. (00251b)

#### NOTE

- **For vehicles equipped with security siren:** With security fob present, turn ignition switch ON. After system is disarmed, turn ignition switch OFF. **IMMEDIATELY** remove the main fuse per the service manual.
- **For vehicles WITHOUT security siren:** See the service manual to remove the main fuse.

1. Remove seat. Retain the seat and all mounting hardware.
2. Remove left side cover.

#### INSTALLATION

1. Locate P&A accessory connector [4A] (a gray, eight-way Molex pin housing with a weather cap) inside the electrical caddy, under the left side cover.

#### NOTE

**DO NOT** remove the connector from the Body Control Module (BCM).

2. Lift the locking tab. Slide the BCM with attached connector out of the electrical caddy.
3. Get the electrical connection harness from the kit. Position the gray eight-way socket housing near connector [4A], but **DO NOT** connect them now. Route the harness:
  - a. Through the opening in the caddy,
  - b. through the frame,
  - c. up to the area under the seat, in front of the battery.



4. Remove connector [4A] from the caddy. Remove the weather cap from the connector. Connect the gray socket housing on the kit harness to connector [4A].
5. Install the BCM with attached connector into the electrical caddy.

## ACCESSORY ELECTRICAL CONNECTION

The Electrical Connection Harness serves as a convenient connection point for accessory wires that would otherwise connect to the vehicle fuse block or B+ connector.

1. Route the wires of the accessory over to the Electrical Connection Harness per the instructions in **that** kit.

### NOTE

- To connect multiple powered accessories to the four-way Deutsch pin connector on the kit harness, use Electrical Accessory Adapter (Part No. 70270-04, available separately). Do not overload the vehicle charging system.
- If NO powered accessories are connecting to the four-way Deutsch pin connector on the kit harness, insert the attached weather cap into the connector
- If NO powered accessories are connecting to the three individual wires on the kit harness, leave the wire caps in place on the wire ends. Tuck the unused wires back inside the conduit or secure with electrical tape.

2. **Accessories with a four-way Deutsch socket power connection** plug directly into the Electrical Connection Harness or Electrical Accessory Adapter. **Accessories connecting to power with three individual wires:** See Figure 1. Cut the wires of the accessory (or accessories) to a suitable length to reach the three individual wires on the Electrical Connection Harness easily. Cut the wire caps from the three wires on the harness.

Splicing of wire leads is necessary in the installation of many accessories to the vehicle. Refer to the service manual appendix for proper wire splicing procedures.

- Up to three #16AWG wires can connect to each sealed splice connector. If more than three #16AWG wires must be connected, more sealed splice connectors are required. Do not overload the vehicle charging system.
- The accessory wire (or wires, typically orange with a white stripe) that would otherwise connect to the fuse block must be spliced to the **violet/blue** (ignition/accessory power) wire in the Electrical Connection Harness.
- The accessory wire (or wires, typically red) that would otherwise connect to the B+ connector must be spliced to the **red/blue** (battery power) wire in the Electrical Connection Harness.
- The accessory ground wire (or wires, typically black) must be spliced to the **black** (ground) wire in the Electrical Connection Harness. If ring terminals are provided in the accessory kit, they can be used instead to connect directly to the vehicle ground.

### ▲ WARNING

**Be sure to follow manufacturer's instructions when using the UltraTorch UT-100 or any other radiant heating device. Failure to follow manufacturer's instructions can cause a fire, which could result in death or serious injury. (00335a)**

- Avoid directing heat toward any fuel system component. Extreme heat can cause fuel ignition/explosion resulting in death or serious injury.
  - Avoid directing heat toward any electrical system component other than the connectors on which heat shrink work is being performed.
  - Always keep hands away from tool tip area and heat shrink attachment.
3. Use a heat gun or suitable radiant-heating device to shrink the connector to the wires. Seal any unused connections to protect against corrosion.

## COMPLETION

### NOTE

To prevent possible damage to the sound system, verify that the ignition switch is **OFF** **before** installing the main fuse.

1. See the service manual to install the main fuse.
2. Test the accessory or accessories for proper operation.

### ▲ WARNING

**After installing seat, pull upward on seat to be sure it is locked in position. While riding, a loose seat can shift causing loss of control, which could result in death or serious injury. (00070b)**

3. See the service manual to install the seat.

## SERVICE PARTS

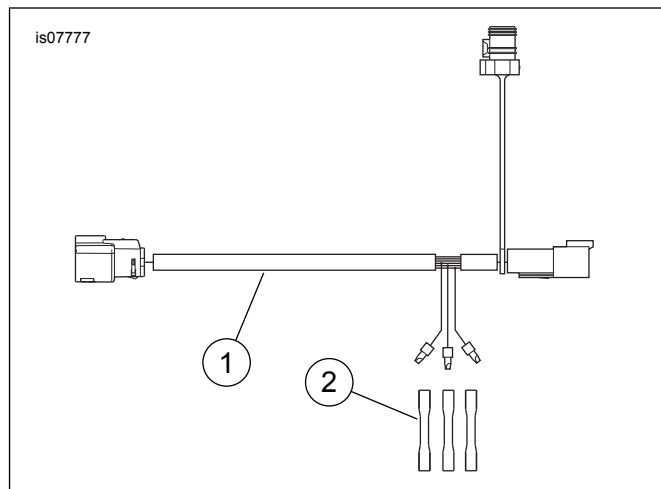


Figure 1. Service Parts, Electrical Connection Harness

Table 1. Service Parts

| Item | Description (Quantity)                         | Part Number         |
|------|--|---------------------|
| 1    | Wire harness                                   | Not sold separately |
| 2    | Sealed splice connector (blue), #14-16 AWG (3) | 70586-93            |