



INSTRUCTIONS

J06052

2016-06-28



BOOM! AUDIO STAGE II TOUR-PAK SPEAKER KIT

GENERAL

Dealer installation is recommended.

Kit Number

76000526A

Models

For model fitment information, see the P&A retail catalog or the Parts and Accessories section of www.harley-davidson.com (English only).

Installation Requirements

NOTE

DO NOT mix Stage I and Stage II speakers on the same vehicle.

These speakers are for use **ONLY** on **2014 and later** Harley-Davidson audio systems. Using these speakers on **2006-2013** Harley-Davidson audio systems **WILL permanently damage these speakers**. Using these speakers on **2005 or earlier** Harley-Davidson audio systems **WILL permanently damage those systems**.

NOTICE

Radio EQ MUST be updated by a Harley-Davidson dealer BEFORE operating the audio system. Operating the audio system prior to radio EQ update will IMMEDIATELY damage the speakers. (00645d)

Radio EQ update using the Digital Technician® II diagnostic tool is only available through authorized Harley-Davidson dealers. This tool is:

- Required **before** audio system OPERATION.
- Recommended **before** speaker INSTALLATION

⚠ WARNING

Rider and passenger safety depend upon the correct installation of this kit. Use the appropriate service manual procedures. If the procedure is not within your capabilities or you do not have the correct tools, have a Harley-Davidson dealer perform the installation. Improper installation of this kit could result in death or serious injury. (00333b)

NOTE

This instruction sheet references service manual information. A service manual for this year/model motorcycle is required for this installation. One is available from a Harley-Davidson dealer.

Electrical Overload

⚠ WARNING

When installing any electrical accessory, be certain not to exceed the maximum amperage rating of the fuse or circuit breaker protecting the affected circuit being modified. Exceeding the maximum amperage can lead to electrical failures, which could result in death or serious injury. (00310a)

NOTICE

It is possible to overload the vehicle's charging system by adding too many electrical accessories. If the combined electrical accessories operating at any one time consume more electrical current than the vehicle's charging system can produce, the electrical consumption can discharge the battery and cause damage to the vehicle's electrical system. (00211d)

The purchase of this kit entitles you to a specially developed sound equalization software that is used with the Advanced Audio System. This unique equalization was designed to optimize the performance and sound response of the BOOM! Audio fairing lower speakers. If this kit is not installed by a Harley-Davidson dealer, this special equalization software is available without charge from any dealer through Digital Technician II. Dealer labor rates may apply for the upgrade procedure.

This amplifier requires up to **8 amps** more current from the electrical system.

Kit Contents

See Figure 2 and Table 1.

PREPARATION

⚠ WARNING

To prevent accidental vehicle start-up, which could cause death or serious injury, remove main fuse before proceeding. (00251b)

1. See the service manual. Remove main fuse.

INSTALLATION

1. See Figure 1. Remove four well nuts (1) from each speaker enclosure. Install captive nuts (2) into each hole from **inside** the enclosures.
2. Attach the speaker wire connectors inside the speaker enclosure to the spade terminals on the back of the **new** rear pod woofer speaker. Different size spade contacts prevent improper assembly.



NOTE

The rear speakers are side-specific. The right side speaker trim ring has the text "BOOM! AUDIO STAGE II" at the top. The left side has no text.

3. See Figure 2. Connect the two-way audio connectors on the amplifier harness [36TB and 37TB] to the mid-range and tweeter connector (B).

 - Connector [36TB] to the right speaker.
 - Connector [37TB] to the left speaker.

4. Rotate the speaker assembly (1) so the tweeter bridge (A) is 45 degrees outboard from the top.
5. Install the speaker assembly onto the speaker enclosure with the four screws (C) removed earlier.
 - a. Start screws carefully to avoid pushing the captive nuts through the mounting holes.
 - b. Use a cross-wise pattern to tighten all four screws to 1.13 N·m (10 in-lbs).
6. Repeat steps 1-5 for the remaining rear speaker enclosure.

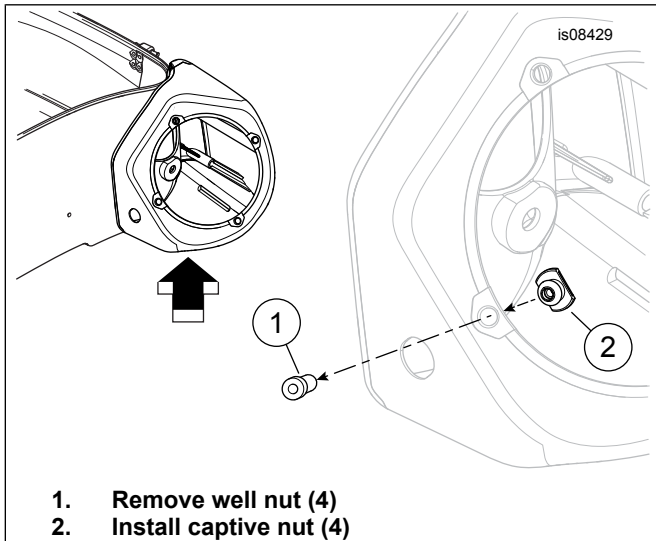


Figure 1. Remove and Replace Rear Speaker Enclosure Nuts

COMPLETION

NOTE

To prevent possible damage to the audio system, verify that the ignition and audio system are OFF before installing the main fuse.

NOTICE

Radio EQ **MUST** be updated by a Harley-Davidson dealer **BEFORE** operating the audio system. Operating the audio system prior to radio EQ update will **IMMEDIATELY** damage the speakers. (00645d)

1. See the service manual. Install main fuse.
2. Have a Harley-Davidson dealer update the radio EQ using Digital Technician II.

3. Turn the ignition ON, but do not start the motorcycle.
4. Refer to the BOOM! BOX INFOTAINMENT SYSTEM section of the owner's manual. Turn the radio ON. Make sure that all speakers are working and front/rear fader function is operating correctly. If not, check speaker wiring.

IN USE

Avoid direct contact with speaker grilles by a pressure washer. Damage to speakers can result.

SERVICE PARTS

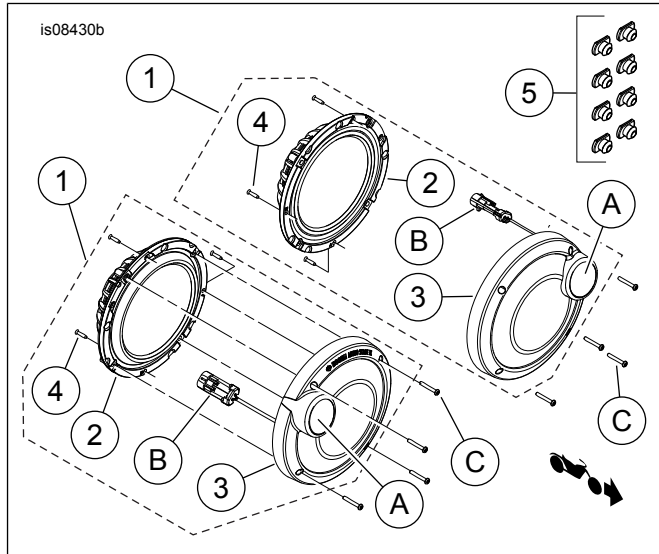


Figure 2. Service Parts, BOOM! Audio Stage II Rear Speaker Kit

Table 1. Service Parts

Item	Description (Quantity)	Part Number
1	Speaker assembly, rear pod (left) (includes items 2-4) (right) (includes items 2-4)	76000626 76000627
2	• Speaker assembly, woofer	Not sold separately
3	• Speaker assembly, tweeter/midrange	Not sold separately.
4	• Screw, flat head (3)	Not sold separately
5	Captive nut (8)	10100064
Items mentioned in text, but not included in kit.		
A	Tweeter	
B	Mid-range and tweeter connector	
C	Original screw (8)	