



INSTRUCTIONS

J05955

2016-03-07



SADDLEBAG LID PAINT GUARD KIT

GENERAL

Kit Number

11100098

Models

For model fitment information, see the P&A retail catalog or the Parts and Accessories section of www.harley-davidson.com (English only).

Harley-Davidson recommends that this kit is professionally installed.

Kit Contents

See Figure 1 and Table 1.

Installation Requirements

Separate purchase of

- a 3M Squeegee (3M Part No. 716070) or equivalent,
- two L (qt) spray bottles,
- 70% isopropyl alcohol, and
- JOHNSON & JOHNSON[®] Baby Shampoo (or equivalent)

is required for proper installation of this kit.

PREPARATION

NOTE

Prepare solutions on the day of installation.

1. Prepare two solutions in spray bottles:
 - **Slip Solution:** Thoroughly mix 473 ml (16 fl oz) of distilled water and 2-3 drops of baby shampoo. The solution sheets off the paint guards with minimum froth.
 - **Tack Solution:** Using 70% isopropyl rubbing alcohol, mix a solution of 10% alcohol and 90% distilled water.
2. See Figure 1. Wash all mounting areas thoroughly. Allow to dry completely.

Installation Tips and Tricks

- Do not apply to new paint (including touch-up paint). Allow paint to cure for a **minimum** of 30 days before applying the paint guards.
- Do not apply in windy conditions or in direct sunlight.
- Make sure that ambient temperature is between 15–32 °C (60–90 °F).

- Wash hands thoroughly and keep fingers wet with water/shampoo mixture during installation. To avoid fingerprints, do not touch adhesive with dry fingers.
- Keep paint guard film and squeegee wet during installation.
- See Figure 1. Identify each paint guard piece and its mounting location before proceeding.
- For top saddlebag lid tape, start with the front of the piece. For front saddlebag lid tape, start with the outside edge of the piece.
- When smoothing the top paint guards into place with the squeegee, work from the front edge toward the rear edge. When smoothing the front paint guards into place with the squeegee, work from the outside edge toward the inside edge. Continually spray the paint guards with solution during the installation.
- The soap solution allows for slight repositioning of the paint guard.
- The alcohol solution fixes the adhesive to the lids and can slightly stretch the paint guard film.
- If wrinkles are found after applying the alcohol solution, spray more alcohol solution under the wrinkle and squeegee again.

INSTALLATION

NOTE

For top saddlebag lid tape, start with the front of the piece. For front saddlebag lid tape, start with the outside edge of the piece.

1. Wet the mounting surface and fingers thoroughly with the soap solution.
2. See Figure 1. For top saddlebag lid, align the paint guard with the front edge. For front saddlebag lid, align the paint guard with the outside edge.
3. Roll a small section of the paper backing away from the adhesive surface. Spray the adhesive surface with soap solution. Align with a straight edge of the mounting surface. When aligned properly, slow roll the remaining backing from the film.
4. When the backing is fully removed, spray the entire paint guard film with soap solution and smooth the film into place by hand.

NOTE

If repositioning is needed, spray more of the soap solution on the paint guard and hands and position as necessary.

5. Once positioned properly, gently lift the leading edge of the film about halfway.
6. Spray the film and mounting surface with the water/alcohol mixture.



7. For top saddlebag lid, start squeegee from the front edge and work toward the rear edge to remove air bubbles. For front saddlebag lid, start squeegee from the outside edge and work toward the inside edge to remove air bubbles. Use firm and overlapping strokes with the squeegee to work out all the air. Do not cut or tear the film.
8. Gently lift the other side of the film and repeat Steps 6 and 7.
9. Wipe paint guard dry with a Harley-Davidson® Microfiber Detailing Cloth (Part No. 94663-02). Check for water pockets or air bubbles. If necessary, spray with more alcohol solution and squeegee again. If necessary, the paint guard film can still be lifted to reposition. Spray the paint guard film, the mounting surface and your fingers with the alcohol solution. Squeegee again until all water pockets and air bubbles are removed.

10. Repeat all steps for the other paint guard piece.

FINAL INSTALLATION

1. Check the edges for adhesion. If any area is not adhered, wrap the squeegee with a Harley-Davidson Microfiber Detailing Cloth (Part No. 94663-02) and squeegee the edges again.
2. Allow the paint guards to cure for 24 hours. The paint guards can then be washed and waxed with the same recommended products used for the motorcycle. See the motorcycle owner's manual for recommended products.

SERVICE PARTS

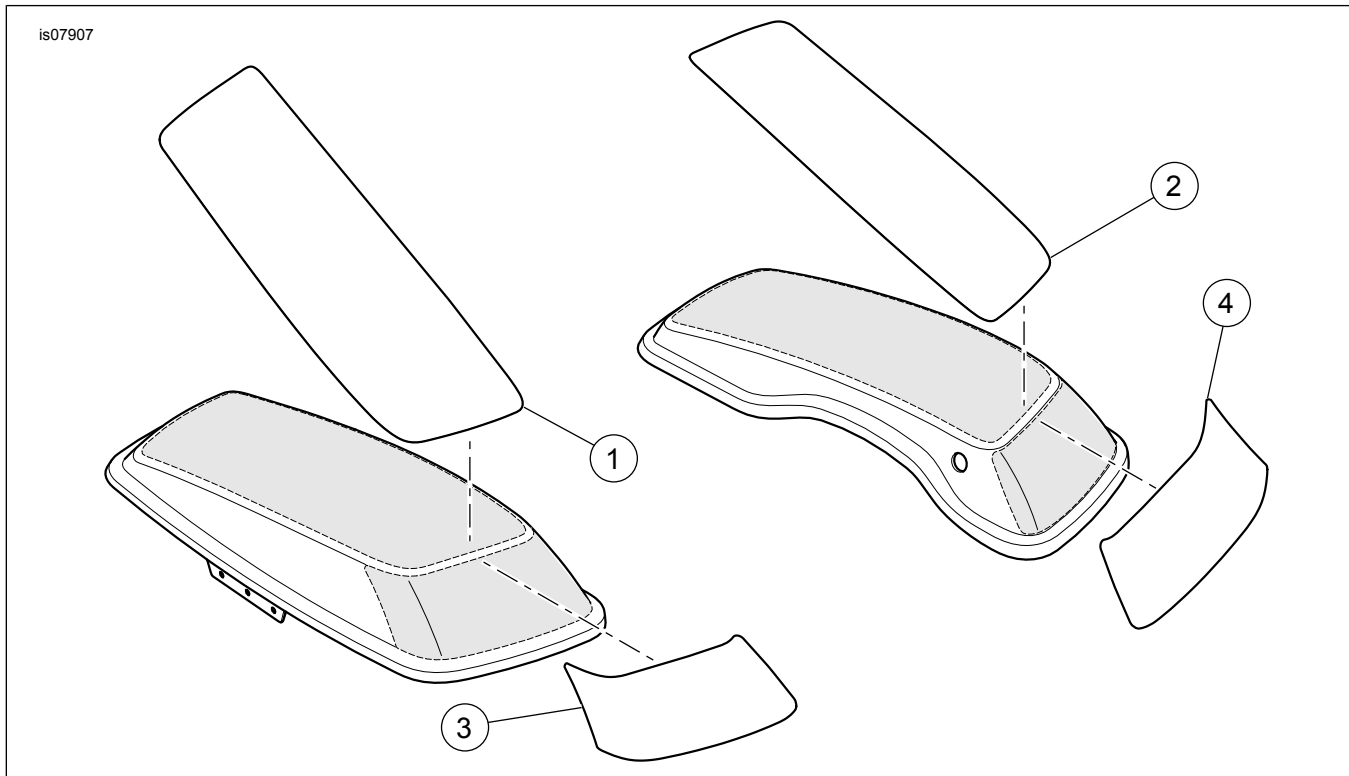


Figure 1. Service Parts: Paint Guard Kit

Table 1. Kit Contents

Item	Description (Quantity)	Part Number
1	Saddlebag lid, top (right)	Not sold separately
2	Saddlebag lid, top (left)	Not sold separately
3	Saddlebag lid, front (right)	Not sold separately
4	Saddlebag lid, front (left)	Not sold separately