



INSTRUCTIONS

J06214

2016-05-16



TAPERED FAIRING MOUNT MIRRORS

GENERAL

Kit Number

56000098A, 56000099A

Models

For model fitment information, see the P&A Retail Catalog or the Parts and Accessories section of www.harley-davidson.com (English only).

Installation Requirements

⚠ WARNING

Rider and passenger safety depend upon the correct installation of this kit. Use the appropriate service manual procedures. If the procedure is not within your capabilities or you do not have the correct tools, have a Harley-Davidson dealer perform the installation. Improper installation of this kit could result in death or serious injury. (00333b)

This instruction sheet references service manual information. A service manual for this year/model motorcycle is required for this installation. One is available from a Harley-Davidson dealer.

Kit Contents

See Figure 2 and Table 1.

INSTALLATION

Installing Mirrors

⚠ WARNING

To prevent accidental vehicle start-up, which could cause death or serious injury, remove main fuse before proceeding. (00251b)

1. See the service manual. Remove main fuse.

NOTE

Do not leave windshield in place with outer fairing removed. Windshield could fall and be damaged.

2. See the service manual. Remove windshield. Remove outer fairing.
3. Drill mirror mounting holes.
 - a. See Figure 1. Locate drill points (1 and 2).
 - b. Cover the finished surface opposite of the drill points with masking tape to prevent damage to painted surfaces.

- c. Drill a 1/8 in. pilot hole in the center of each drill point (1 and 2).
- d. Drill a 29/64 in. hole at drill point (1) with a twist drill bit.
- e. Drill a 9/32 in. hole at drill point (2) with a twist drill bit.
- f. Remove tape.
- g. Repeat previous step on opposite side.

NOTE

Mirror assemblies and backplates are marked with an R or L to indicate the left and right side assemblies.

4. See Figure 2. Install mirror assembly (1).
 - a. With the locating pin (A) of the mirror assembly (1) inserting into the lower hole, install the mirror assembly.
 - b. Install mirror base (2) and gasket (5).
 - c. Install backplate (3) over mirror assembly, so that the locating pin is secured in the small hole of the backplate.
 - d. Install flange nut (4). Tighten to 2.3–3.4 N·m (20–30 in-lbs).
 - e. Repeat previous step on opposite side.
5. See the service manual. Install the outer fairing and windshield.
6. See the service manual. Install main fuse.



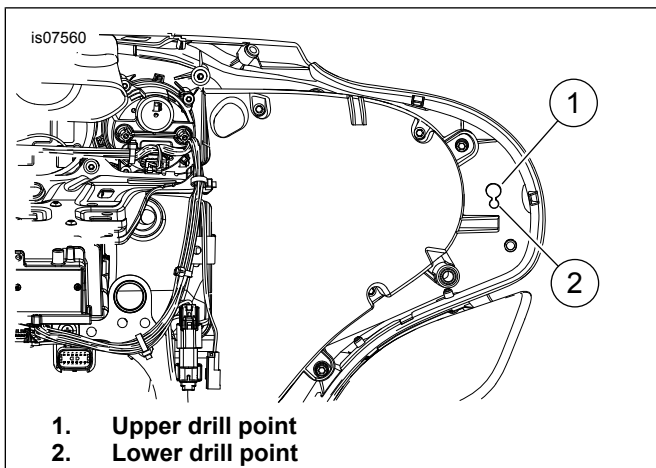


Figure 1. Drill Points (Left Side Shown)

SERVICE PARTS

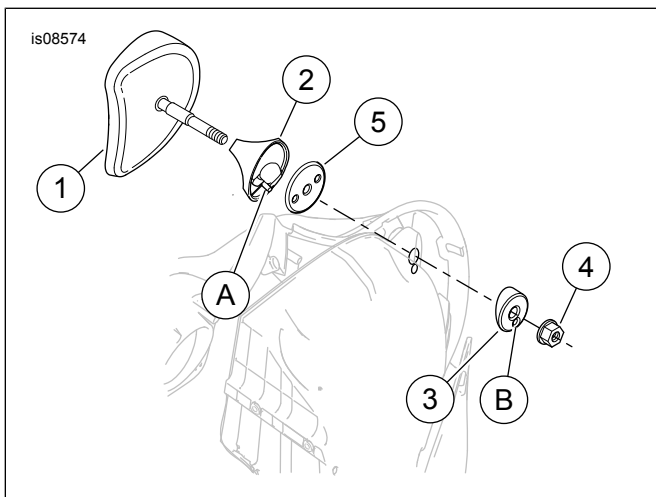


Figure 2. Service Parts: Fairing Mount Mirrors

Table 1. Service Parts

Item	Description (Quantity)	Part Number
1	Mirror assembly, left, black	Not Sold Separately
	Mirror assembly, left, chrome	Not Sold Separately
	Mirror assembly, right, black (not shown)	Not Sold Separately
	Mirror assembly, left, chrome (not shown)	Not Sold Separately
2	Mirror base mount, left, black	56000113A
	Mirror base mount, left, chrome	56000112A
	Mirror base mount, right, black (not shown)	56000105A
	Mirror base mount, right, chrome (not shown)	56000103A
3	Backing plate, left	56000015
	Backing plate, right (not shown)	56000016
4	Flange nut (2)	7687
5	Gasket (2)	56000122
Items mentioned in text.		
A	Locating pin	
B	Small hole	