



INSTRUCTIONS

J06053

2014-05-01



GLOSS BLACK FENDER SUPPORTS

GENERAL

Kit Number

90201206

Additional Parts Required

▲ WARNING

Rider and passenger safety depend upon the correct installation of this kit. Use the appropriate service manual procedures. If the procedure is not within your capabilities or you do not have the correct tools, have a Harley-Davidson dealer perform the installation. Improper installation of this kit could result in death or serious injury. (00333b)

NOTE

This instruction sheet refers to service manual information. A service manual for this year/model motorcycle is required for this installation. Manuals are available from a Harley-Davidson dealer.

Kit Contents

See Figure 1 and Table 1.

INSTALLATION

1. Follow the service manual instructions to remove the saddlebag supports.
2. See Figure 1. Install stud receptacles (1) on the brackets (2, 3).
3. Position insert assembly (4).
4. Install the saddlebag support (2 or 3) following the instructions in the service manual.
5. Repeat steps for the opposite side.
6. Install other components following the instructions in the service manual.

SERVICE PARTS

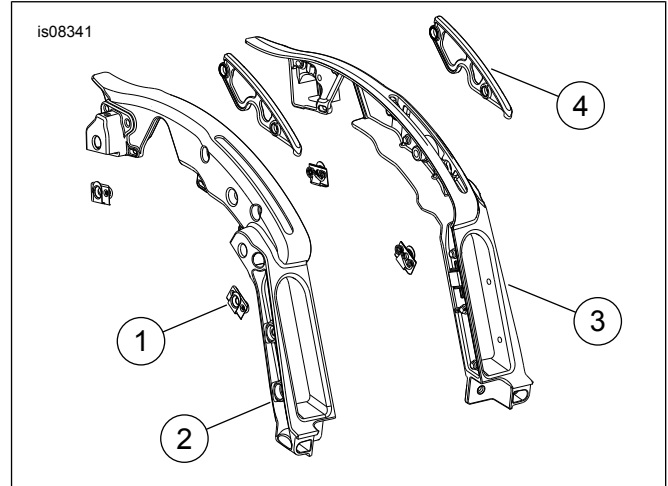


Figure 1. Service Parts: Saddlebag Support Kit

Table 1. Service Parts Table

Item	Description (Quantity)	Part Number
1	Stud receptacle (4)	10900009
2	Saddlebag support, left	Not sold separately
3	Saddlebag support, right	Not sold separately
4	Insert assembly (2)	90201208