



INSTRUCTIONS

J06219

2015-06-30



XL PASSENGER PILLION

GENERAL

Kit Number

52400121, 52400130

Models

For model fitment information, see the P&A retail catalog or the Parts and Accessories section of www.harley-davidson.com (English only).

Installation Requirements

⚠ WARNING

Do not install these seat kits on motorcycles that are not equipped with an appropriate grab strap and passenger footpegs. If footpegs and grab strap are not installed, passenger could fall from moving motorcycle or grab onto operator, causing loss of control and death or serious injury. (00410b)

On models without passenger footpegs, install Passenger Footpeg Kit 50500270 for 2014 and later models. Install Passenger Footpeg Kit 50203-04 for 2004 through 2013 models.

Kit Contents

See Figure 5 and Table 1.

REMOVAL

NOTE

Avoid scratching the paint surfaces during the removal and installation of the seat.

1. Remove original seat according to the owner's manual instructions. **All models except 2010 and later XL1200X, XL1200V, XL1200N, XL883N:** save the seat mounting screw (part number 2952A) to install the new seat. **2010 and later XL1200X, XL1200V, XL1200N, XL883N:** discard the seat mounting screw.

INSTALLATION

1. See Figure 1. Remove the two screws (2) securing the rear seat bracket (1). Remove the bracket. Save screws and bracket for installation on pillion.

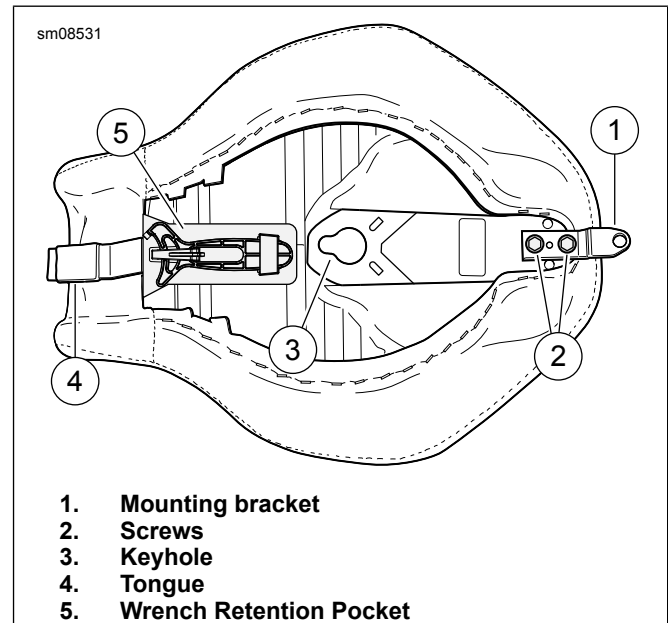


Figure 1. Bracket, Screws, Keyhole and Tongue

2. See Figure 2. Remove the plastic plug (3) from the rear hole location in the fender.
3. Install retention nut (1) and washer (2) to the rear location on the fender where the plug was removed.



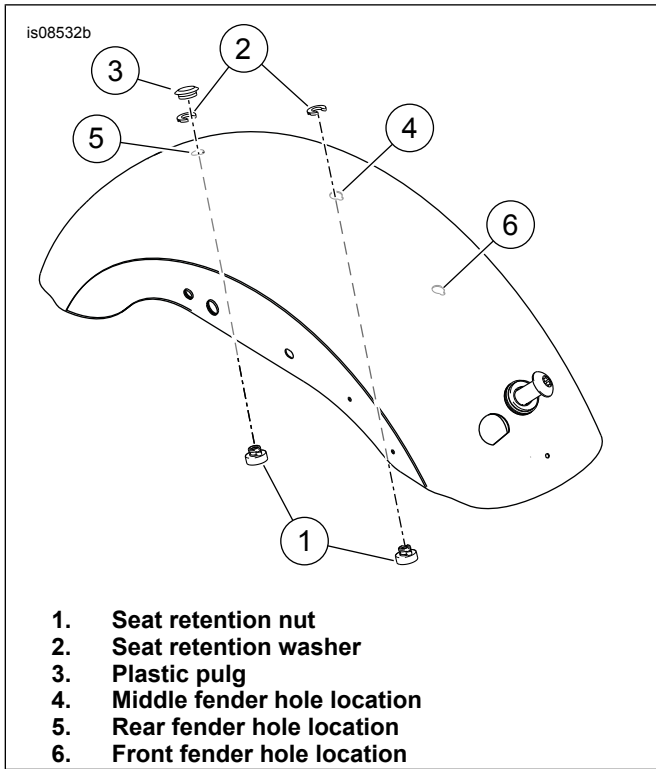


Figure 2. Seat Retention Nut and Washer Locations

4. See Figure 3. A cable strap (3) can be used as an installation tool.
 - a. Place the retention nut (1) over the cable strap. Position so the wide end of the nut rests on the eye of the cable strap.
 - b. Thread the cable strap up under the fender and through the fender hole.
 - c. Pull up on the cable strap to hold the nut snug against the underside of the fender.
 - d. Seat the retention nut in the fender hole. Slide the retention washer (2) into place from the rear. The retention nut is now locked in place.

NOTE

XL 883N, XL 1200C, XL 1200T, XL 1200V, XL 1200X seat retention nut is not necessary. Pillion installs in an existing retention nut.

5. Place the stock seat or the solo accessory seat upside down on a work surface.

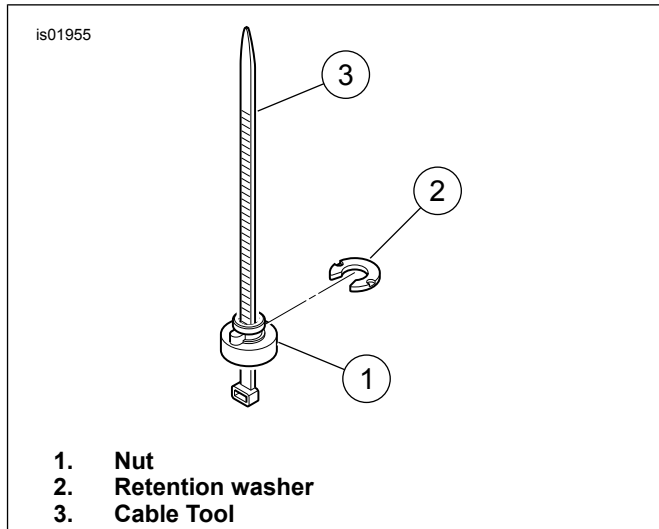


Figure 3. Retention Nut, Washer and Cabel Strap

6. See Figure 4. Attach the passenger pillion to the solo seat by sliding the metal bracket on the pillion over the solo seat. Attach metal tab on pillion to solo seat with flange screws (3). Tighten to 4.5–6.8 N·m (40–60 in-lbs).
7. Install the grab strap (4) onto the bottom of the seat. Hook one side of the grab strap onto the tang (5) on the underside of the seat. Loop the grab strap over the seat. Hook the remaining side onto the other tang.

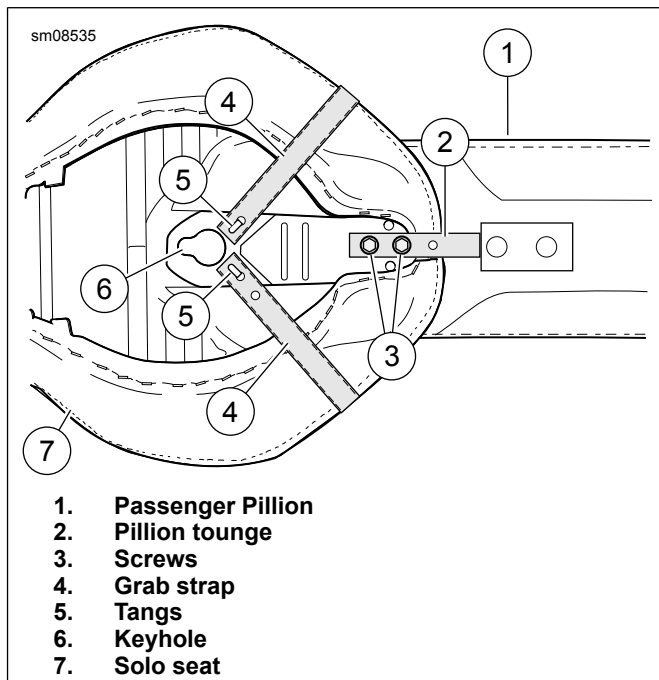


Figure 4. Pillion and Grab Strap Installation

8. See Figure 5. Attach the seat bracket (B) removed in Step 1 to the passenger pillion using the flange screws (2) included in the kit. Tighten to 4.5–6.8 N·m (40–60 in-lbs).

NOTE

The foam cushion of the seat is compressed as the seat is slid forward to engage the post on the frame when the seat is dropped into place. When properly installed, the front tongue on the underside of the seat fits snugly in the

groove at the fuel tank rear mounting location. The keyhole on the underside of the seat locks the seat to the post on the frame.

9. The seat and pillion assembly attaches to the vehicle at three points. Install the seat and pillion: Angle the front of the seat. Place the tongue engaging the slot at the rear of the fuel tank mounting location.
 - a. The tongue fits under the rear fuel tank bracket.
 - b. The keyhole locks onto the seat post.
 - c. The rear mounting bracket attaches to the rear seat nut in the fender with a screw.
10. Push the seat forward. Rotate the rear of the seat downward until the seat contacts the frame. Flex the seat slightly.
11. Pull up on the center of the seat to verify that it is locked into place.
12. Install the saved screw (part number 2952A) and fasten the seat mounting bracket to the top of the rear fender.
13. **For XL 1200X, XL 1200V, XL 1200N, XL 883N models:** Mount seat using guide washer (part number 7487) underneath seat mounting tab. Mount seat using existing screw (part number 3085) in rear screw hole. Purchase of quick release hardware (part number 51676-97A) may be used in lieu of existing screw 3085.
14. Tighten the mounting bracket screw securely. Tighten to 2.3–4.6 N·m (20–40 in-lbs).

▲ WARNING

After installing seat, pull upward on seat to be sure it is locked in position. While riding, a loose seat can shift causing loss of control, which could result in death or serious injury. (00070b)

15. Pull up on the front and rear of the seat again to verify that it is properly secured.

SERVICE PARTS

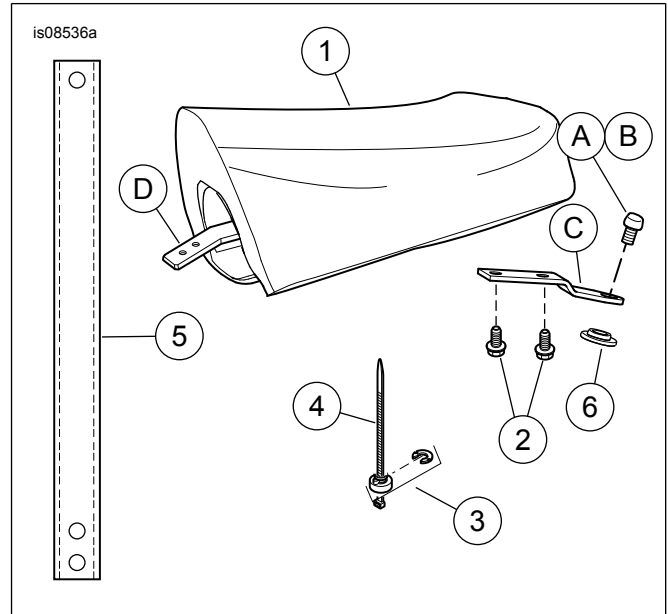


Figure 5. Service Parts: XL Pillion

Table 1. Service Parts Table

Item	Description (Quantity)	Part Number
1	Passenger pillion seat	Not sold separately
2	Screw (2)	3588
3	Seat retention nut and washer kit	59768-97
4	Cable strap	Not Sold Separately
5	Passenger grab strap (Kit 52400121 only)	52417-06
	Passenger grab strap (Kit 52400130 only)	51680-07
6	Guide washer	7487
Items referenced in text, but not included in kit:		
A	Mounting screw	2952A
B	Mounting screw	3085
C	Seat bracket	
D	Pillion tongue	