



INSTRUCTIONS

J05870

2017-10-26



RIDER HEADSET CONNECTOR KIT

GENERAL

Kit Number

69200865

Models

For model fitment information, see the P&A retail catalog or the Parts and Accessories section of www.harley-davidson.com (English only).

Additional Parts Required

⚠ WARNING

Rider and passenger safety depend upon the correct installation of this kit. Use the appropriate service manual procedures. If the procedure is not within your capabilities or you do not have the correct tools, have a Harley-Davidson dealer perform the installation. Improper installation of this kit could result in death or serious injury. (00333b)

NOTE

This instruction sheet refers to service manual information. A service manual for this year/model motorcycle is required for this installation and is available from a Harley-Davidson dealer.

Kit Contents

See Figure 3 and Table 1.

REMOVAL

⚠ WARNING

To prevent accidental vehicle start-up, which could cause death or serious injury, remove main fuse before proceeding. (00251b)

1. Refer to the service manual and remove the following:
 - a. Main fuse.
 - b. Outer fairing.
 - c. Seat.
 - d. Fuel tank and console.
 - e. Inner fairing cap.
 - f. Wire trough cover.

INSTALLATION

NOTE

See Figure 1. Location of connectors (1 and 2) may be different if amplifier is installed.

1. See Figure 1. Install ring terminal end of ground wire (Figure 3, item 7) to ground wire lug (17) with screw (Figure 3, item 8).
2. Remove seal pin from cavity 12 of P&A connector [280] (2).
 - a. **MY18 and Touring models:** Remove wire from cavity 12 of P&A connector [280] (2).
 - b. Apply electrical tape to exposed pin on removed wire.
3. Install the pin end of the ground wire into cavity 12 of P&A connector [280].
4. Connect the rider headset harness (Figure 3, item 1) to the P&A connector (2).
5. Route the harness through the left side of the fairing (near the steering head) and into the left side of the wire trough.
6. Exit the wire trough at the left side opening.
7. Route the harness up the left side of the frame tube about 15.2 cm (6.0 in) past the lower console mount fastener.
8. Check the harness length before installing the fuel tank.
9. Install the fuel tank according to service manual instructions.
10. See Figure 2. Clean the clip mounting area with a mixture of 50 to 70% isopropyl alcohol and 30 to 50% distilled water. Allow to dry thoroughly. The adhesive clip will be secured to the lower portion of the fuel tank, so it will be covered by the seat.
 - a. Install the clip (4) on the wire harness. Do not remove the adhesive backer at this time.
 - b. Install the narrow end of the headset bracket (3) between the console molding strip and the console at the lower left corner of the console as shown.
 - c. Trim the adhesive patch (5) to the shape of the back of the headset plug (2), remove one side of backer and apply to the back of the connector plug to protect the tank from scuffing. Trim the adhesive patch to a 12 x 6 mm (1/2 x 1/4 in) rectangle. Remove one side of the backer and apply to the underside of the bracket as shown.
 - d. Position the headset connector facing up and use the wider end of the bracket to secure the flat portion of the headset connector as shown.



- e. Remove the backer from the other side of the patches to secure the bracket to the connector and connector to the fuel tank.
 - f. Install the adhesive back clip (4) as shown. Remove the adhesive backing from the clip and install the clip onto the fuel tank where it will be covered by the seat.
11. Install the weather cap assembly on the rider headset connector by installing the locking ring inside the flip cap.
 12. Secure all wiring with cable straps as needed. Check the motorcycle to verify that the wire harness does not interfere with the steering, suspension travel or any other moving parts of the motorcycle.

NOTE

Allow **AT LEAST 24 hours** after applying the clip before exposing the area to vigorous washing, strong water spray or extreme weather.

13. Refer to the service manual to install all the components removed in **REMOVAL**.

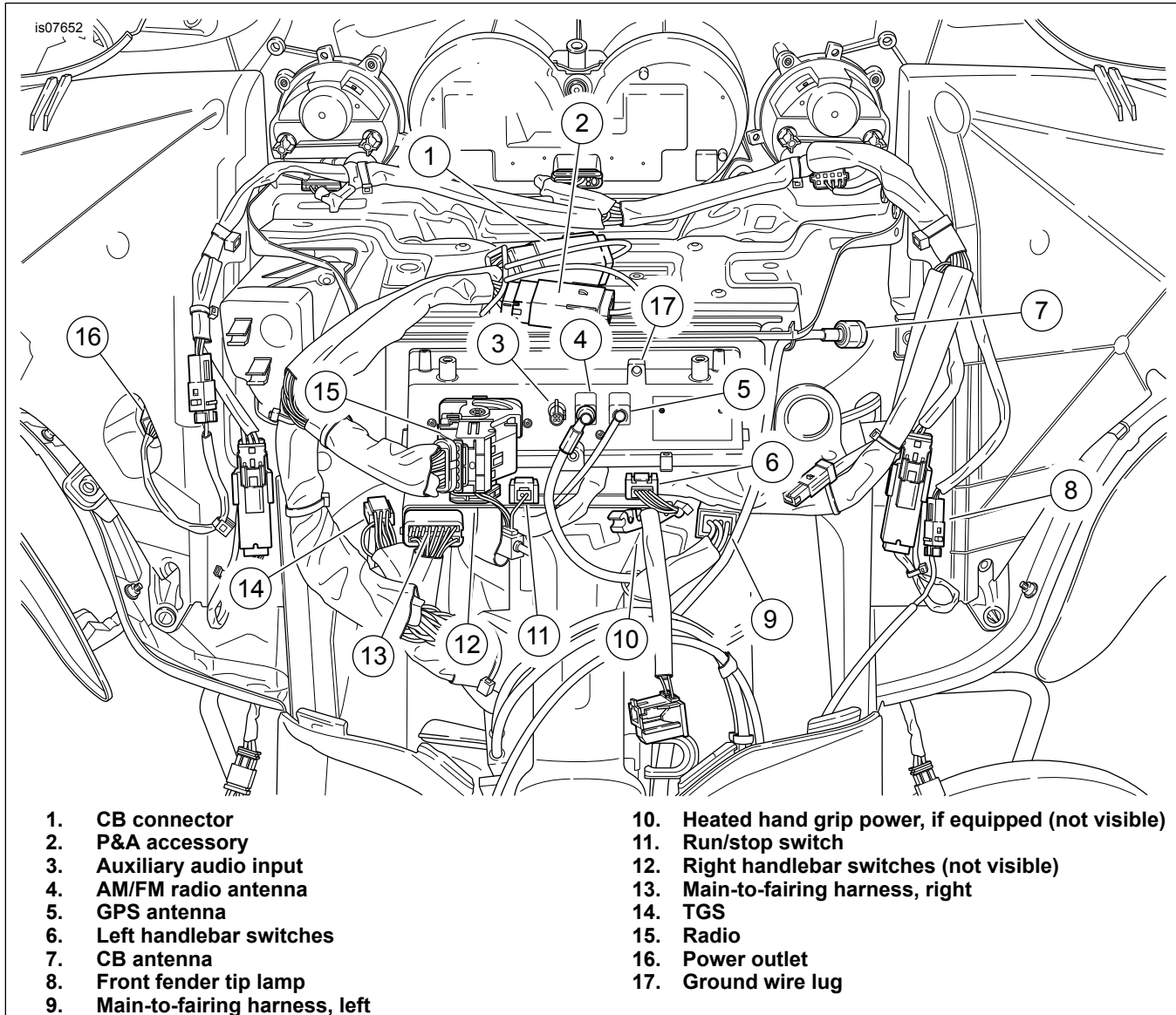


Figure 1. Inner Fairing Harness Connectors

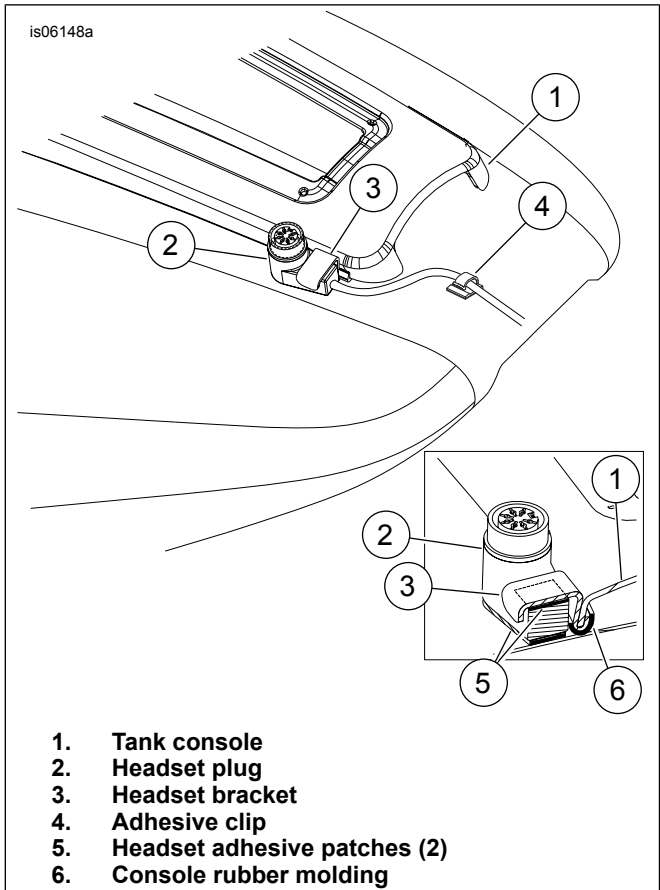


Figure 2. Mounting Rider Headset Plug

OPERATION

Refer to the Boom! Box Infotainment System owner's manual for operation information.

SERVICE PARTS

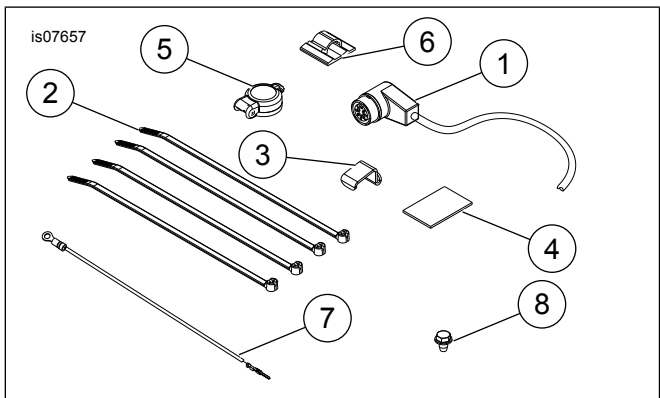


Figure 3. Service Parts: Rider Headset Connector Kit

Table 1. Service Parts

Item	Description (Quantity)	Part Number
1	Rider headset harness	69200866
2	Cable strap (4)	10006
3	Bracket	77112-09
4	Foam tape	77125-09
5	Weather cap	76266-98A
6	Clip	10325
7	Ground wire	66000096
8	Screw, #8-32 x 0.25 in	3529