



INSTRUCTIONS

J05965

2014-03-07



DASH PANEL KIT

GENERAL

Kit Number

71400105 and 71400106

Models

For model fitment information, see the P&A retail catalog or the Parts and Accessories section of www.harley-davidson.com (English only).

This harness provides battery power, ignition/accessory power and ground connection from the eight-way Molex P&A accessory connector [4A] to accessories connecting through a four-way Deutsch connector.

The switches may be used if needed.

Installation Requirements

Depending upon how accessories are added an Ultratorch UT-100 (Part No. HD-39969), Robinair Heat Gun (Part No. HD-25070) with Heatshrink Attachment (Part No. HD-41183), or other suitable radiant heating device may be required for the proper installation of this kit.

Deutsch Terminal Crimp Tool (HD-39965) may also be required.

⚠ WARNING

Rider and passenger safety depend upon the correct installation of this kit. Use the appropriate service manual procedures. If the procedure is not within your capabilities or you do not have the correct tools, have a Harley-Davidson dealer perform the installation. Improper installation of this kit could result in death or serious injury. (00333b)

NOTE

This instruction sheet refers to service manual information. A service manual for this year/model motorcycle is required for this installation. One is available from a Harley-Davidson dealer.

Electrical Overload

NOTICE

It is possible to overload the vehicle's charging system by adding too many electrical accessories. If the combined electrical accessories operating at any one time consume more electrical current than the vehicle's charging system can produce, the electrical consumption can discharge the battery and cause damage to the vehicle's electrical system. (00211d)

⚠ WARNING

When installing any electrical accessory, be certain not to exceed the maximum amperage rating of the fuse or circuit breaker protecting the affected circuit being modified. Exceeding the maximum amperage can lead to electrical failures, which could result in death or serious injury. (00310a)

The power from this harness is fused at 15 amps through the vehicle harness.

Kit Contents

This harness comes fully assembled.

See Figure 3 and Table 3.

PREPARATION

⚠ WARNING

To prevent accidental vehicle start-up, which could cause death or serious injury, remove main fuse before proceeding. (00251b)

NOTE

- **For vehicles equipped with security siren:** With security fob present, turn ignition switch ON. After system is disarmed, turn ignition switch OFF. **IMMEDIATELY** remove the main fuse per the service manual.
- **For vehicles WITHOUT security siren:** See the service manual to remove the main fuse.

1. Remove seat. Retain the seat and all mounting hardware.
2. Remove dash panel.

NOTE

Vehicles without AUX lamps (LH side).

3. Remove block off-panel. See service manual. See Figure 3. Install switch panel (7) and switches (3) and (6) with the "ACC" switches in the center and right position.

NOTE

Vehicles with AUX lamps (LH side).

4. Remove switch-pack assembly. See service manual.

INSTALLATION

1. Remove cap plugs as required by the Service Manual.

NOTE

Insert ACC switches into switch-pack assembly.

2. Install the switch-pack assembly into dash panel mating the connectors.



3. Install the dash panel.
4. Connect the harness to the vehicle's accessory connector [4] under the LH side cover. If kit 69200722 is installed remove and discard.

NOTE

See Figure 3. The relay (5) needs to be positioned with the terminals facing down.

ACCESSORY ELECTRICAL CONNECTION

The purpose of this kit is to provide a way to control electrical accessories (together or separately) via (2) dash panel switches. The Electrical Connection Harness serves as a convenient connection point for accessory wires that would otherwise connect to the vehicle fuse block or B+ connector.

1. Route the wires of the accessory over to the Electrical Connection Harness per the instructions in **that** kit.

NOTE

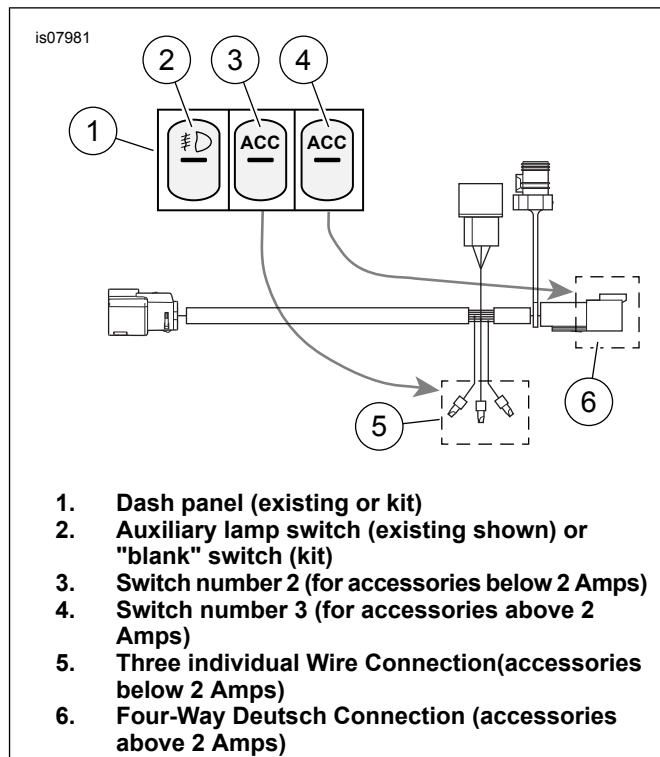
- To connect multiple powered accessories to the four-way Deutsch pin connector on the kit harness, use Electrical Accessory Adapter (Part No. 70270-04, available separately). Do not overload the vehicle charging system.
- If NO powered accessories are connecting to the four-way Deutsch pin connector on the kit harness, insert the attached weather cap into the connector
- If NO powered accessories are connecting to the three individual wires on the kit harness, leave the wire caps in place on the wire ends. Tuck the unused wires back inside the conduit or secure with electrical tape.

2. **Accessories with a four-way Deutsch socket power connection:** See Figure 1. The 4-way connector (6) MUST be used for any accessory drawing more than 2 Amps, and it will be controlled by a switch in the RH switch position. It can also be used to switch accessories under 2 Amps. Plug directly into the Electrical Connection Harness or Electrical Accessory Adapter **Accessories connecting to power with three individual wires:** See Figure 1, Table 1, and Table 2. The 3 splice cap connectors (5) can ONLY be used to switch (2 wire) accessories that draw less than 2 Amps or, (3 wire) accessories that draw more than 2 Amps that already contain a relay. Cut the wires of the accessory (or accessories) to a suitable length to reach the three individual wires on the Electrical Connection Harness easily. If necessary cut the wire caps from the three wires on the harness.

NOTE

If multiple accessories are wired to the same branch, they will be controlled by the same switch.

Splicing of wire leads is necessary in the installation of many accessories to the vehicle. Refer to the service manual appendix for proper wire splicing procedures.



1. Dash panel (existing or kit)
2. Auxiliary lamp switch (existing shown) or "blank" switch (kit)
3. Switch number 2 (for accessories below 2 Amps)
4. Switch number 3 (for accessories above 2 Amps)
5. Three individual Wire Connection (accessories below 2 Amps)
6. Four-Way Deutsch Connection (accessories above 2 Amps)

Figure 1. Switch Connections and Harness

Table 1. 2 Wire Accessory Harness Connections

3 Wire Splice Connectors (Harness)	Accessory Wires (Harness)	
Lt. Blue/Green	Orange/White	2 Wire Accessory (example: LED Accent Lighting)
Black	Black	
Red/Blue	Not used	

Table 2. 3 Wire Accessory Harness Connections

3 Wire Splice Connectors (Harness)	Accessory Wires (Harness)	
Lt. Blue/Green	Orange/White	3 Wire Accessory (example: Heated Grips)
Black	Black	
Red/Blue	Red	

NOTE

A separate relay may be added to the 3 wire connection to enable accessories drawing more than 2 Amps. See Figure 2.

▲ WARNING

Be sure to follow manufacturer's instructions when using the UltraTorch UT-100 or any other radiant heating device. Failure to follow manufacturer's instructions can cause a fire, which could result in death or serious injury. (00335a)

- Avoid directing heat toward any fuel system component. Extreme heat can cause fuel ignition/explosion resulting in death or serious injury.
 - Avoid directing heat toward any electrical system component other than the connectors on which heat shrink work is being performed.
 - Always keep hands away from tool tip area and heat shrink attachment.
3. Use a heat gun or suitable radiant-heating device to shrink the connector to the wires. Seal any unused connections to protect against corrosion.

COMPLETION

NOTE

To prevent possible damage to the sound system, verify that the ignition switch is OFF **before** installing the main fuse.

1. See the service manual to install the main fuse.
2. Test the accessory or accessories for proper operation.

▲ WARNING

After installing seat, pull upward on seat to be sure it is locked in position. While riding, a loose seat can shift causing loss of control, which could result in death or serious injury. (00070b)

3. See the service manual to install the seat.

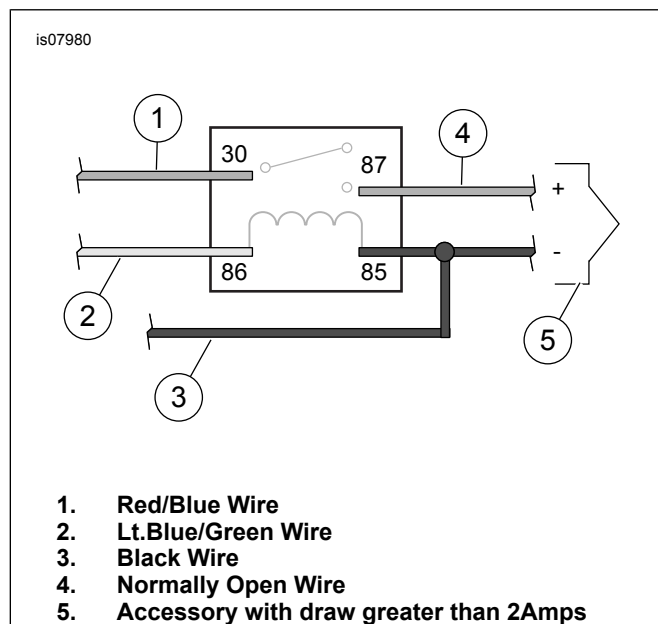


Figure 2. Relay (for reference)

SERVICE PARTS

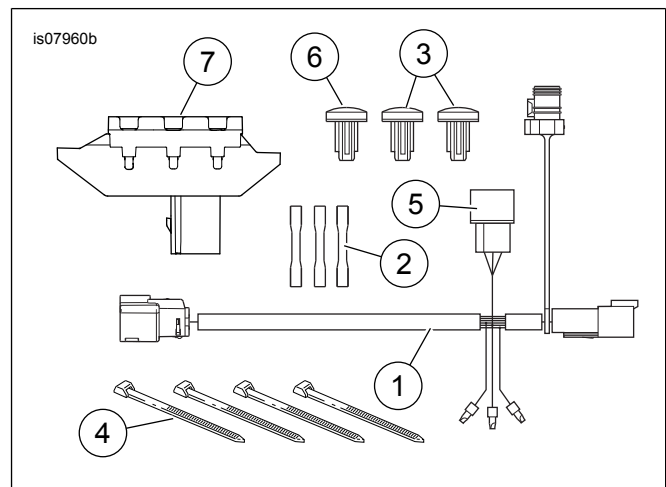


Figure 3. Service Parts, Electrical Connection Harness

Table 3. Service Parts

Kit	Item	Description (Quantity)	Part Number
71400105	1	Wire harness	Not sold separately
	2	Sealed splice connector (blue), #14-16 AWG (3)	70586-93
	3	Accessory switch, LH (ACC) (2)	71400109
	4	Strap, Cable (4)	10006
	5	Relay	31504-91B
	6	Accessory switch, LH (blank)	71400031
	7	Dash Panel, LH	69200173
71400106	1	Wire harness	Not sold separately
	2	Sealed splice connector (blue), #14-16 AWG (3)	70586-93
	3	Accessory switch, LH (ACC) (2)	71400109
	4	Strap, Cable (4)	10006
	5	Relay	31504-91B