



# INSTRUCTIONS

J05871

2016-09-21



## ILLUMINATED WINDSHIELD TRIM

### GENERAL

#### Kit Number

57000394A, 57000395A

#### Models

For model fitment information, see the P&A Retail Catalog or the Parts and Accessories section of [www.harley-davidson.com](http://www.harley-davidson.com) (English only).

#### NOTE

*The illuminated windshield trim is not intended to replace the stock turn signals. The illuminated windshield trim will not function properly without the stock turn signals installed.*

#### Tools and Supplies Required

#### ▲ WARNING

Rider and passenger safety depend upon the correct installation of this kit. Use the appropriate service manual procedures. If the procedure is not within your capabilities or you do not have the correct tools, have a Harley-Davidson dealer perform the installation. Improper installation of this kit could result in death or serious injury. (00333b)

#### NOTE

*This instruction sheet refers to service manual information. A service manual for this year/model motorcycle is required for this installation and is available from a Harley-Davidson dealer.*

#### Electrical Overload

#### NOTICE

It is possible to overload the vehicle's charging system by adding too many electrical accessories. If the combined electrical accessories operating at any one time consume more electrical current than the vehicle's charging system can produce, the electrical consumption can discharge the battery and cause damage to the vehicle's electrical system. (00211d)

#### ▲ WARNING

When installing any electrical accessory, be certain not to exceed the maximum amperage rating of the fuse or circuit breaker protecting the affected circuit being modified. Exceeding the maximum amperage can lead to electrical failures, which could result in death or serious injury. (00310a)

The illuminated windshield trim requires up to **260 mA** additional current from the electrical system.

### Kit Contents

See Figure 6 and Refer to Table 1.

### INSTALLATION

#### Preparation

#### ▲ WARNING

To prevent accidental vehicle start-up, which could cause death or serious injury, remove main fuse before proceeding. (00251b)

1. See service manual. Remove main fuse.

#### Install Module Harness

#### NOTE

*Right and left designations are determined from the riders seated position.*

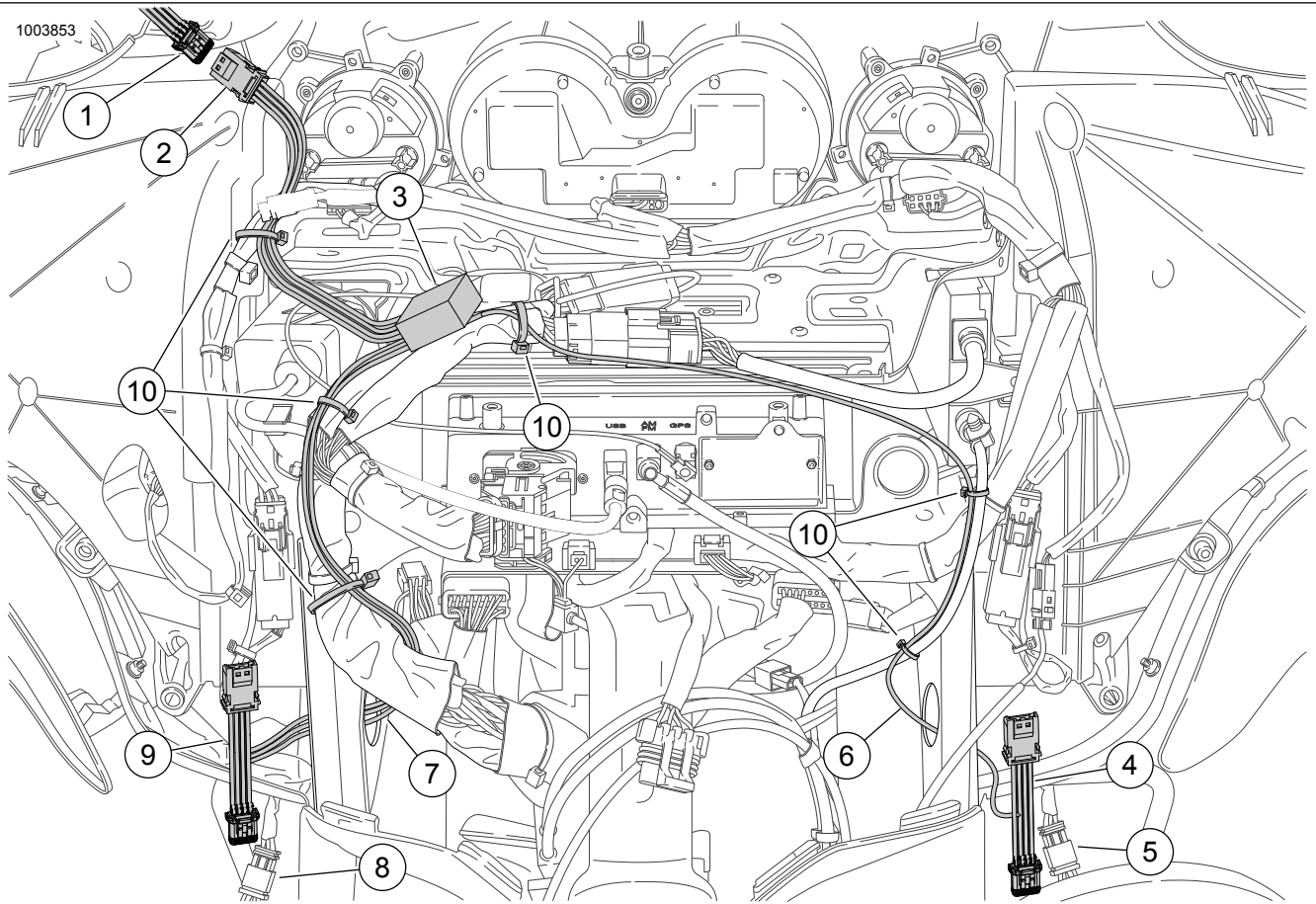
1. See service manual. Remove outer fairing and windshield.

#### NOTE

*An example of the module harness routing is shown in Figure 1. The configuration of the inner fairing components can require a different routing.*

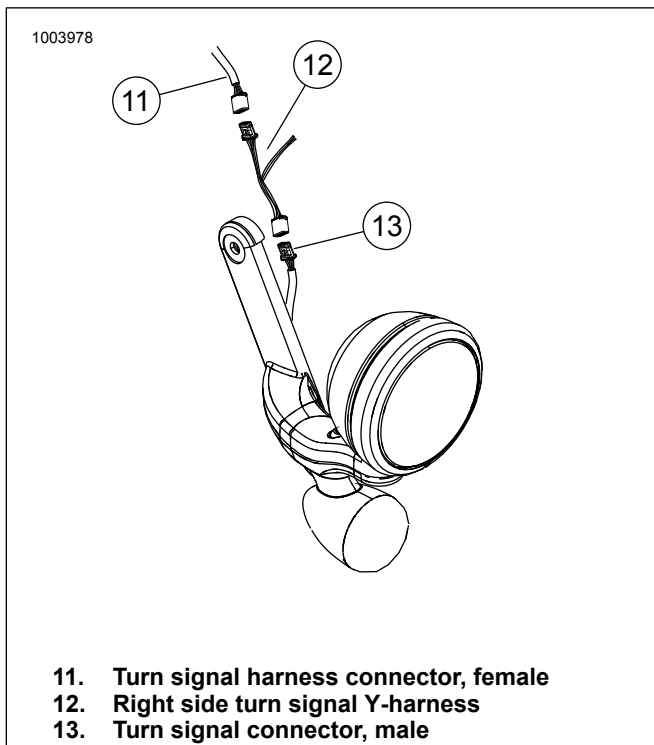
2. Route the module harness similarly to the routing shown in Figure 1. When finished, the routing should:
  - a. Secure harness module (3) to harness connector or other feature with a cable strap (10).
  - b. Route the left side turn signal Y-harness (4) which is part of the single wire harness (6) to the left side fairing thru-hole to gain access to the turn signal bracket location.
  - c. Route the right side turn signal Y-harness (9) which is part of the three wire harness (7) to the right side thru-hole to gain access to the turn signal bracket location.
  - d. Route windshield trim connector (2) to the area of the right side windshield mounting location.
  - e. Secure all harness wiring to existing harnesses with cable straps (10).
  - f. Connect windshield trim connector (1) to the module harness trim connector (2).
  - g. Make sure that the wiring is not being pinched, damaged or interfering with the installation of the outer fairing.





- |  |   |
|--|---|
| 1. Windshield trim connector             | 6. Single Wire Harness (left side)        |
| 2. Module harness trim connector         | 7. Triple Wire Harness (right side)       |
| 3. Module                                | 8. Right side turn signal connector [31R] |
| 4. Left side turn signal Y-harness       | 9. Right side turn signal Y-harness       |
| 5. Left side turn signal connector [31L] | 10. Cable strap (6)                       |

Figure 1. Module Harness Routing Example



**Figure 2. Auxiliary/Fog Lamp Assembly**

**NOTE**

*Right and left designations are determined from the riders seated position.*

**Connect Module Harness to Turn Signals**

1. See service manual. Remove right or left turn signal bracket assembly.
2. See Figure 2. Locate and disconnect turn signal connector (13) from turn signal harness connector [31L or 31R] (11).
  - a. See Figure 1. The left side turn signal [31L] is item (5).
  - b. See Figure 1. The right side turn signal [31R] is item (8).
3. See Figure 2. Connect turn signal Y-harness (12) to turn signal harness connector (11).
  - a. See Figure 1. The left side turn signal Y harness is item (4) with single wire harness (6).
  - b. See Figure 1. The right side turn signal Y harness is item (9) with triple wire harness (7).
4. Connect turn signal connector (13) to turn signal Y-harness (12).
  - a. See Figure 1. The left side turn signal Y harness is item (4) with single wire harness (6).
  - b. See Figure 1. The right side turn signal Y harness is item (9) with triple wire harness (7).
5. See service manual. Install turn signal bracket assembly.

6. Repeat procedure for opposite side.

**Install Illuminated Windshield Trim**

**NOTE**

*For best results, use a rotary cutting tool or round file to elongate the hole.*

1. Place windshield trim on outer fairing and trace out the wire exit.

**NOTE**

*Only increase hole size for the connector wire to pass through the opening. Test fit as needed. Make sure that the opening is covered by the rubber portion of the windshield trim.*

See Figure 3. Enlarge the right mounting hole (7, 8) in the outer fairing. This allows the windshield trim wiring to pass by the threaded mounting insert when completely assembled. See Figure 4

3. See Figure 5. Route connector and wiring (1) through the enlarged hole (2). Hold trim in place.
4. See Figure 5. Secure the wiring (1) to the inside of the outer fairing with tape (3). This allows the wiring to pass by the threaded mounting insert on the inner fairing without interference when the outer fairing is installed. See Figure 4.

**NOTE**

*Plug-in head lamp prior to installing outer fairing.*

*When installing the windshield, avoid pinching the trim wires that run through the enlarged hole of the outer fairing. Extensive downward force while installing windshield may damage the wire harness and cause improper operation.*

5. Install outer fairing. See service manual.
  - a. See Figure 3. Use washers (3) and screws (4 and 5) from kit to secure the illuminated windshield trim and windshield.

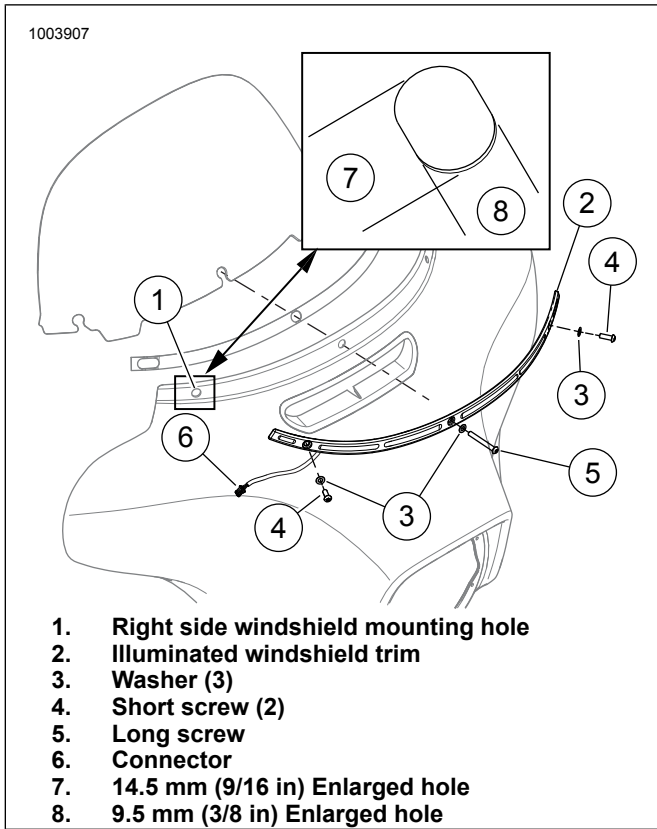


Figure 3. Install Illuminated Windshield Trim

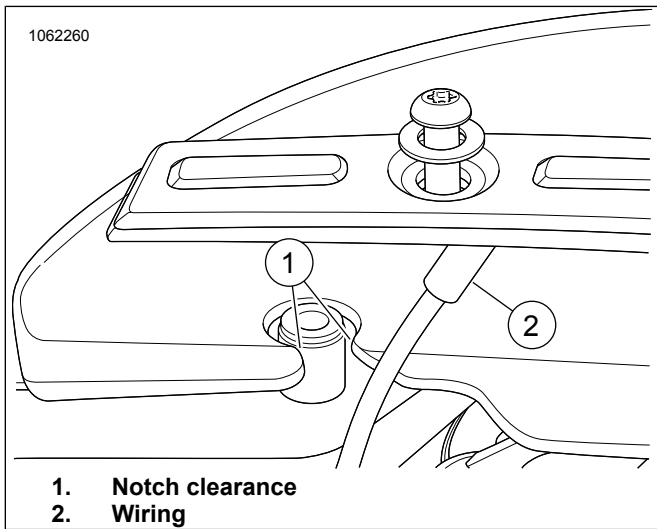


Figure 4. Notch in Windshield

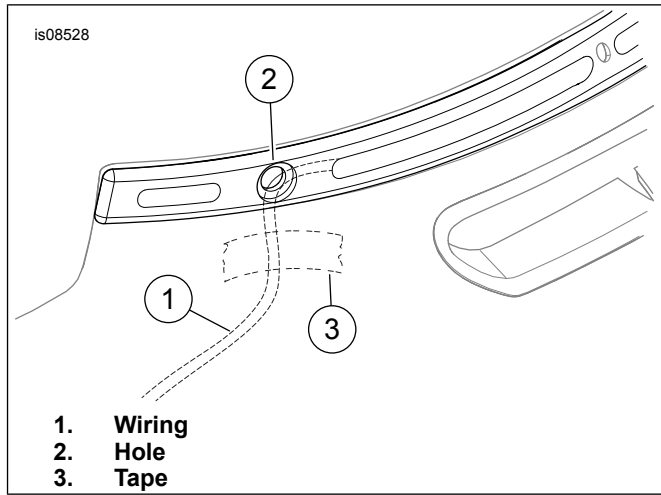


Figure 5. Route Illuminated Windshield Trim Wiring

## FINAL ASSEMBLY

- Secure all wiring away from any moving parts, pinch points or extreme heat.

### NOTE

Verify that the ignition/light key switch is in the OFF position before installing the main fuse/attaching the battery cables.

- See the service manual. Install main fuse.
- Turn the key switch to IGNITION, but do not start the motorcycle. Test for proper turn signal and illuminated windshield trim operation. Proper operation of mirror cover lamps is:
  - Illuminated windshield trim operate as running lights during normal vehicle operation.
  - Illuminated windshield trim outer lamps flash with the corresponding turn signal when activated.
  - BOTH illuminated windshield trim outer lamps flash when the emergency flashers are activated.

# SERVICE PARTS

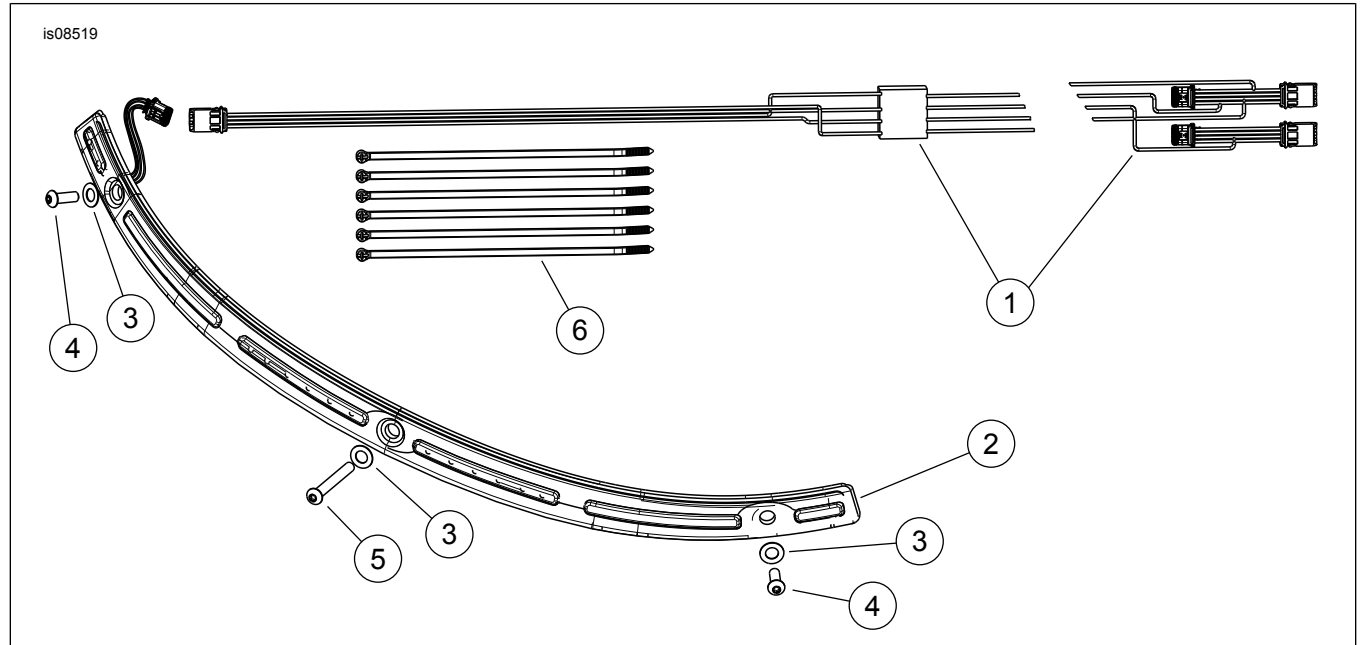


Figure 6. Service Parts: Illuminated Windshield Trim

Table 1. Service Parts Table

Item	Description (Quantity)	Part Number
1	Module harness	69201037
2	Illuminated windshield trim	Not Sold Separately
3	Washer (3)	10300087
4	Short screw (2)	4976
5	Long screw	10500034
6	Cable strap (6)	10006