



INSTRUCTIONS

J06388

2016-08-22



CUSTOM HAND LEVER KITS

GENERAL

Kit Numbers

41700421, 47100422, 41700424, 41700425

Models

For model fitment information, see the P&A Retail Catalog or the Parts and Accessories section of www.harley-davidson.com (English only).

Tools and Supplies Required

⚠ WARNING

Rider and passenger safety depend upon the correct installation of this kit. Use the appropriate service manual procedures. If the procedure is not within your capabilities or you do not have the correct tools, have a Harley-Davidson dealer perform the installation. Improper installation of this kit could result in death or serious injury. (00333b)

NOTE

This instruction sheet references service manual information. A service manual for your model motorcycle is required for this installation and is available from a Harley-Davidson dealer.

⚠ WARNING

Brakes are a critical safety component. Contact a Harley-Davidson dealer for brake repair or replacement. Improperly serviced brakes can adversely affect brake performance, which could result in death or serious injury. (00054a)

Kit Contents

See Figure 1 and Table 1.

BRAKE LEVER INSTALLATION

⚠ WARNING

Contact with DOT 4 brake fluid can have serious health effects. Failure to wear proper skin and eye protection could result in death or serious injury.

- **If inhaled:** Keep calm, remove to fresh air, seek medical attention.
- **If on skin:** Remove contaminated clothing. Rinse skin immediately with plenty of water for 15-20 minutes. If irritation develops, seek medical attention.
- **If in eyes:** Wash affected eyes for at least 15 minutes under running water with eye lids held open. If irritation develops, seek medical attention.
- **If swallowed:** Rinse mouth and then drink plenty of water. Do not induce vomiting. Contact Poison Control. Immediate medical attention required.
- See Safety Data Sheet (SDS) for more details available at sds.harley-davidson.com

(00240e)

NOTICE

DOT 4 brake fluid will damage painted and body panel surfaces it comes in contact with. Always use caution and protect surfaces from spills whenever brake work is performed. Failure to comply can result in cosmetic damage. (00239c)

NOTE

Immediately wipe up any brake fluid spillage with a clean, dry, soft cloth. Follow up by thoroughly wiping affected area with a clean, damp, soft cloth (small spills) or washing with a large quantity of soapy water (large spills).

Cover nearby motorcycle surfaces with a polyethylene protective sheeting to help protect against damage to finish caused by spillage or splash of D.O.T. 4 brake fluid.

1. Remove stock brake lever following instructions in the service manual.
2. Install new brake lever following instructions in the service manual.

CLUTCH LEVER INSTALLATION

See the CLUTCH CONTROL section of the service manual for clutch lever (8) removal, installation and adjustment procedures.



SERVICE PARTS

is08837a

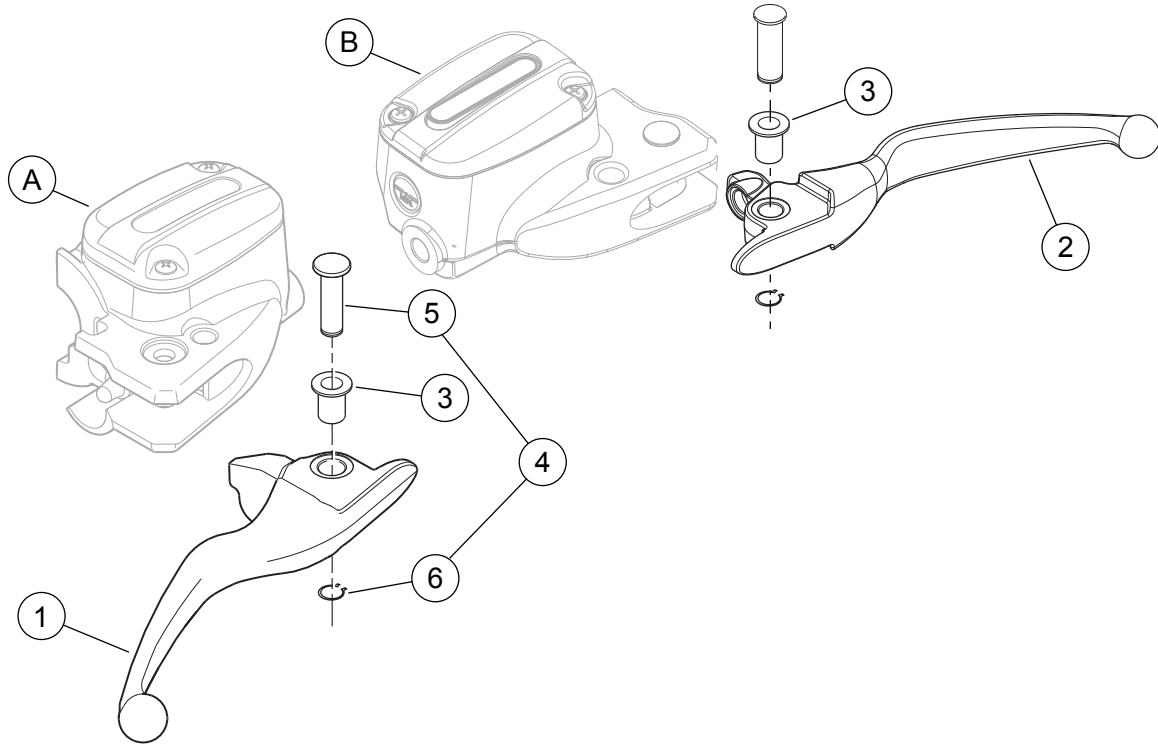


Figure 1. Service Parts: Hand Control Lever (Slotted Shown)

Table 1. Service Parts: Hand Control Lever Kits

Kit	Item	Description (Quantity)	Part Number
Kit 41700422	1	Brake hand lever, chrome	Not Sold Separately
Chrome Levers	2	Clutch hand lever, chrome	Not Sold Separately
Kit 41700421	1	Brake hand lever, black	Not Sold Separately
Black Levers	2	Clutch hand lever, black	Not Sold Separately
Kit 41700425	1	Brake hand lever, slotted	Not Sold Separately
Slotted Levers	2	Clutch hand lever, slotted	Not Sold Separately
Kit 41700424	1	Brake hand lever, edge cut	Not Sold Separately
Edge Cut Levers	2	Clutch hand lever, edge cut	Not Sold Separately
Parts common to ALL Kits	3	Bushing, brake lever pivot (2)	Not sold separately
	4	Pivot pin kit (polished). For all Kits EXCEPT 41700421 (includes Items 5 and 6) (2) Pivot pin kit (black). For Kit 41700421 (includes Items 5 and 6)	42105-06A 42860-06B
	5	• Pivot pin, brake lever	Not sold separately
	6	• Retaining ring (2)	11615
Reference items not included in kit:			
	A	Front brake master cylinder	
	B	Clutch master cylinder	