



# INSTRUCTIONS

J06227

2018-08-08



## CRUISE CONTROL KIT, SOFTAIL MODELS

### GENERAL

#### Kit Number

41000369

#### Models

For model fitment information, see the P&A retail catalog or the Parts and Accessories section of [www.harley-davidson.com](http://www.harley-davidson.com) (English only).

#### Installation Requirements

##### NOTE

Functionality of this kit requires **verification** that cruise control has been set to "ENABLED" in the vehicle's Electronic Control Module (ECM). A factory-trained technician at a Harley-Davidson dealer must set the setting for cruise control using the following tool; DIGITAL TECHNICIAN II (PART NUMBER: HD-48650)

##### ▲ WARNING

Rider and passenger safety depend upon the correct installation of this kit. Use the appropriate service manual procedures. If the procedure is not within your capabilities or you do not have the correct tools, have a Harley-Davidson dealer perform the installation. Improper installation of this kit could result in death or serious injury. (00333b)

##### NOTE

This instruction sheet references service manual information. A service manual for this year/model motorcycle is required for this installation. One is available from a Harley-Davidson dealer.

#### Kit Contents

See Figure 1 and Table 1.

### PREPARATION

##### ▲ WARNING

To prevent accidental vehicle start-up, which could cause death or serious injury, remove main fuse before proceeding. (00251b)

##### NOTE

- **Vehicle WITH security siren:** With security fob present, turn ignition switch ON. After system is disarmed, turn ignition switch OFF. **IMMEDIATELY** remove the main fuse. See the service manual.
- **Vehicle WITHOUT security siren:** Remove main fuse. See the service manual.

1. Remove main fuse. See the service manual.

### INSTALLATION

##### NOTE

Before disconnecting the Left Hand Control Module (LHCM), note wire routing.

1. Remove LHCM. See the service manual.

2.

##### NOTE

Softail® Deluxe models require using the Original Equipment (OE), Left Hand (LH) directional/Auxiliary (AUX) lamp switch cap.

**2018 and Later Softail Deluxe Models:** Switch LH directional/AUX lamp switch caps

- a. Remove the OE, LH directional/AUX lamp switch cap from OE, LHCM. See the service manual.
  - b. From the **new** LHCM that is supplied in this kit, remove the LH directional/AUX lamp switch cap.
  - c. Install the OE directional/AUX lamp switch cap onto the **new** LHCM.
3. Separate the upper and lower halves of the housing from the **new** LHCM. See the service manual.
  4. Install the **new** LHCM. See the service manual.

### COMPLETION

1.

##### NOTE

Verify that the ignition switch is OFF **before** installing the main fuse.

Install main fuse. See the service manual.

2. Install Digital Technician II (DT II) and perform the following steps:
  - a. **Vehicle information > Tool Box > Vehicle Setup > Cruise Control** and click on **Enable**.
3. Remove DT II.

##### ▲ WARNING

Be sure that all lights and switches operate properly before operating motorcycle. Low visibility of rider can result in death or serious injury. (00316a)



4. Turn the ignition switch to IGNITION, but do not start the motorcycle. Turn the handlebar to the left and right steering stops, testing the handlebar control functions at each stop. If the left handlebar control contacts the fuel tank, rotate the handlebar slightly upward. See the service manual.
5. Refer to the **Cruise Control** section of the owner's manual for cruise control operating instructions. Test ride motorcycle. Verify that the cruise control is operating properly.

## SERVICE PARTS

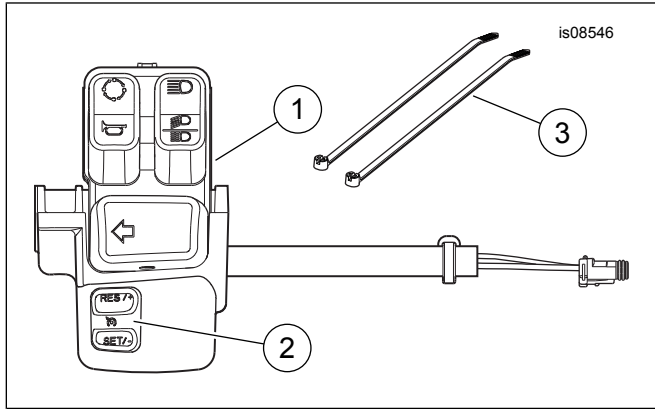


Figure 1. Service Parts, Softail Cruise Control Kit

Table 1. Service Parts

Item	Description (Quantity)	Part Number
1	Handlebar switch housing left side, with cruise control (2)	Not sold separately
2	Key cap, cruise control RES/SET	71500290
3	Cable strap (6)	10065