



INSTRUCTIONS

J05875

2021-03-12



FRONT 12 VOLT POWER PORT

GENERAL

It is **advised** that this kit is installed by an authorized Harley-Davidson dealer.

Kit Number

69200854, 69200855, 69200970, 69200971

Models

For model fitment information, see the P&A retail catalog or the Parts and Accessories section of www.harley-davidson.com (English only).

Installation Requirements

2017 and later Touring models: Requires separate purchase of an Accessory Wiring Harness Kit (Part No. 69201599A).

2018 and later Softail models: Requires separate purchase of an Accessory Wiring Harness Kit (Part No. 69201750).

An UltraTorch UT-100 (Part No. HD-39969), Robinair Heat Gun (Part No. HD-25070) with Heatshrink Attachment (Part No. HD-41183), or other suitable radiant heating device is required for the proper installation of this kit.

⚠ WARNING

Rider and passenger safety depend upon the correct installation of this kit. Use the appropriate service manual procedures. If the procedure is not within your capabilities or you do not have the correct tools, have a Harley-Davidson dealer perform the installation. Improper installation of this kit could result in death or serious injury. (00333b)

NOTE

This instruction sheet references service manual information. A service manual for this year/model motorcycle is required for this installation. One is available from a Harley-Davidson dealer.

Electrical Overload

NOTICE

It is possible to overload the vehicle's charging system by adding too many electrical accessories. If the combined electrical accessories operating at any one time consume more electrical current than the vehicle's charging system can produce, the electrical consumption can discharge the battery and cause damage to the vehicle's electrical system. (00211d)

⚠ WARNING

When installing any electrical accessory, be certain not to exceed the maximum amperage rating of the fuse or circuit breaker protecting the affected circuit being modified. Exceeding the maximum amperage can lead to electrical failures, which could result in death or serious injury. (00310a)

This Front 12 Volt Power Port requires **no** more current from electrical system, but it **is** connected to 15A accessory circuit. Check rating of any electrical devices used with this power supply. Do not exceed 15 amp rating.

Kit Contents

See Figure 3 and Table 2.

Installation

⚠ WARNING

To prevent accidental vehicle start-up, which could cause death or serious injury, remove main fuse before proceeding. (00251b)

1. Remove main fuse. See service manual.
2. Remove fuel tank. See service manual.
3. Remove seat. See service manual.

NOTE

Harley-Davidson recommends installing front 12 volt power port to left side handlebar next to riser clamp. Opening is intended to face the back.

4. Clean and dry mounting area of handlebar.
5. See Figure 3 and Table 2.
 - a. For 7/8 in. handlebars, install thick gaskets (5) from kit.
 - b. For 1 in. handlebars, install thin gaskets (4) from kit.
 - c. For 1-1/4 in. handlebars, do **not** install any gaskets.
6. See Figure 1. Peel paper backing (1) from gasket (2). Install gaskets onto inside of 12 volt power port (3).



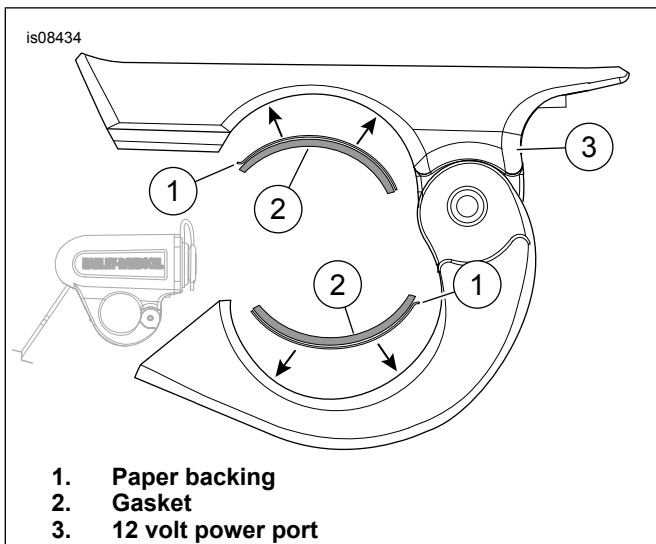


Figure 1. Backing, Gasket and 12 Volt Power Port

7. See Figure 3. Position power port in desired location. Place screw (2) in position. Do not fully tighten now.

▲ WARNING

Be sure that steering is smooth and free without interference. Interference with steering could result in loss of vehicle control and death or serious injury. (00371a)

8. Secure power port with screw (2). Tighten.
Torque: 2.8–3.3 N·m (25–30 **in-lbs**) screw (2)
9. See Table 1 and Figure 2. Locate accessory/data link connector [91A].

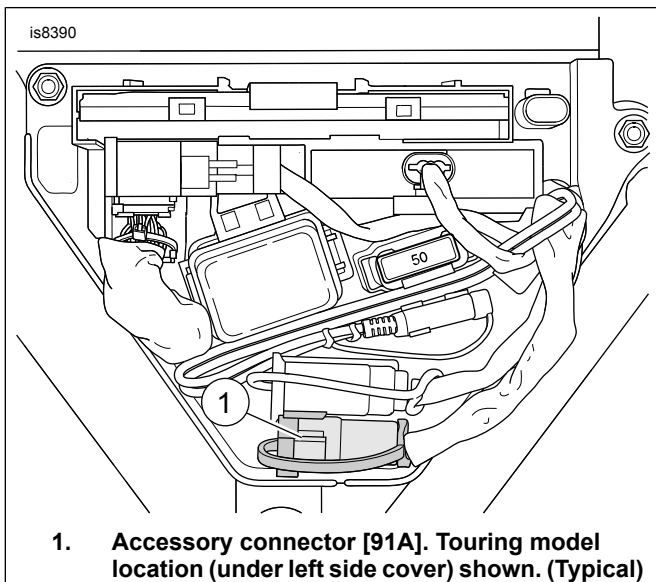


Figure 2. Accessory Connector

10. Route wires following main harness path to connector [91A].
11. Check that there is enough slack in harness for handlebars to move lock to lock.

NOTE

- Avoid directing heat toward any fuel system component. Extreme heat can cause fuel ignition/explosion. Death or serious injury could result.
- Avoid directing heat toward any electrical system component other than connectors on which heat shrink work is being performed.
- Always keep hands away from tool tip area and heat shrink attachment.

▲ WARNING

Be sure to follow manufacturer's instructions when using the UltraTorch UT-100 or any other radiant heating device. Failure to follow manufacturer's instructions can cause a fire, which could result in death or serious injury. (00335a)

12. **2017 and later Touring Models:** Install harness (69201599). Reference instruction included with kit.

- a. See Figure 3. Cut off six pin connector (A).
- b. Strip .375 in (9.5 mm) of insulation from each wire on harness (B).
- c. Splice harness (69201599) with sealed splices provided in kit.
- d. Crimp wires BLACK to BLACK and RED to VIOLET/BLUE. See the service manual appendix. Match the color of the connector with the color of the crimp cavity of the Crimp Tool (Part No. H-D 38125-8). Crimp the connector to both wires with the Crimp Tool.
- e. Using Ultratorch UT-100 (H-D 39969), Robinair Heat Gun (H-D 25070) with Heatshrink Attachment (H-D 41183), or other suitable radiant heating device, heat crimped splice to encapsulate splice connection. Apply heat from center of crimp out to each end until meltable sealant exudes out of both ends of connector. Let connector cool.

13. **2018 and later Softail Models:** Install harness (69201750). Reference instruction included with kit.

- a. See Figure 3. Cut off six pin connector (A).
- b. See Figure 3. Remove socket cover (C).
- c. See Figure 3. Strip back wires and install terminals from kit (69201750) to harness (B). See service manual.
- d. Insert wires into empty cavities of 2-way housing.
- e. Match mating side functions: RED or RED/YELLOW = POWER CAVITY 1, BLACK = GROUND CAVITY 2
- f. Mate 2-way connectors.

14. **All Other Models:** See Figure 3. Remove dust cover from accessory connector. Plug 12 volt connector into six-pin connector (A).

15. Secure harness (B) with cable straps (3). Extra or loose harness (B) can be coiled securing with cable straps
16. Install the side cover. See service manual.
17. Install fuel tank. See service manual.
18. Install seat. After installing seat, pull up on seat to verify that it is secure. See service manual.

19. **NOTE**

Verify that ignition switch is OFF **before** installing main fuse.

Install main fuse. See service manual.

NOTE

The accessory circuit is a 15A circuit. Check rating of any accessories used with this power supply. Do not exceed 15 amp rating.

Table 1. Service Parts: Accessory Connector Location

Platform (Model)	Accessory Connector Location
Street	Under right side cover
Sportster	Under left side cover
Softail	Under seat
Dyna	Under left side cover
Touring	Under left side cover
Trike	Under left side cover

SERVICE PARTS

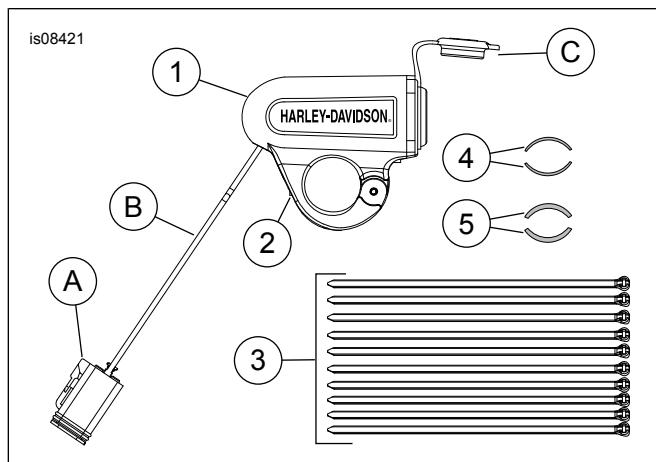


Figure 3. Service Parts: Handlebar 12 Volt Power Supply

Table 2. Service Parts: Front 12 Volt Power Port

Item	Description (Quantity)	Part Number
1	12 Volt power port, handlebar mounted	Not sold separately
2	Screw	Not sold separately
3	Cable strap (10)	10065
4	Thin gasket, adhesive back (2)	Not sold separately
5	Thick gasket, adhesive back (2)	Not sold separately
Items mentioned in text, but not included in kit:		
A	Connector, six pin	
B	Harness, power port	
C	Socket cover	