



INSTRUCTIONS

J07062

2015-04-01



XL DETACHABLE SADDLEBAG KITS

GENERAL

Kit Number

90201328

Models

For model fitment information, see the P&A Retail Catalog or the Parts and Accessories section of www.harley-davidson.com (English only).

Additional Parts Required

All models require the separate purchase of a Docking Hardware Kit (part number **90201424**).

All models, with or without other detachable accessories, require the separate purchase of a Turn Signal Relocation Kit. This kit provides adequate clearance for the saddlebags and for all detachable accessories. See your dealer for a turn-signal relocation kit appropriate for your model motorcycle.

Models equipped with a side-mount license plate require the separate purchase of a License Plate Relocation Kit. See your dealer for a license plate relocation kit appropriate for your model motorcycle.

Models equipped with detachable accessories will utilize docking points included in kit 90201424.

Models NOT yet equipped with passenger foot supports require the separate purchase of a Passenger Footpeg Kit (Models 2004-2013 - part number **50203-04**, Models 2014 and later - part number **50500270**).

Loctite[®] 243 Threadlocker and Sealant - Blue (part number **99642-97**) is required for the proper installation of this kit.

These items can be purchased from a Harley-Davidson dealer.

⚠ WARNING

Rider and passenger safety depend upon the correct installation of this kit. Use the appropriate service manual procedures. If the procedure is not within your capabilities or you do not have the correct tools, have a Harley-Davidson dealer perform the installation. Improper installation of this kit could result in death or serious injury. (00333b)

NOTE

This instruction sheet references service manual information. A service manual for your model motorcycle is required for this installation and is available from a Harley-Davidson dealer.

Kit Contents

See Figure 7 and Table 1.

⚠ WARNING

Do not exceed saddlebag weight capacity. Put equal weight in each bag. Too much weight in saddlebags can cause loss of control, which could result in death or serious injury. (00383a)

NOTE

Maximum saddlebag weight capacity is ten pounds (4.55 Kg) per saddlebag.

INSTALLATION

Models with main fuse:

⚠ WARNING

To prevent accidental vehicle start-up, which could cause death or serious injury, remove main fuse before proceeding. (00251b)

NOTE

Refer to the service manual and follow the instructions given to remove the seat and main fuse. Retain all seat mounting hardware.

Models with main circuit breaker:

⚠ WARNING

To prevent accidental vehicle start-up, which could cause death or serious injury, disconnect negative (-) battery cable before proceeding. (00048a)

⚠ WARNING

Disconnect negative (-) battery cable first. If positive (+) cable should contact ground with negative (-) cable connected, the resulting sparks can cause a battery explosion, which could result in death or serious injury. (00049a)

NOTE

Refer to service manual instructions to disconnect battery cables.

Install Turn Signal and License Plate Relocation Kits

1. All models require the relocation of the rear turn signals. Refer to instructions included with an appropriate turn signal relocation kit for your model motorcycle.
2. Models equipped with side-mount license plate also require the relocation of the license plate. Refer to instructions included with the license plate relocation kit for your model motorcycle.



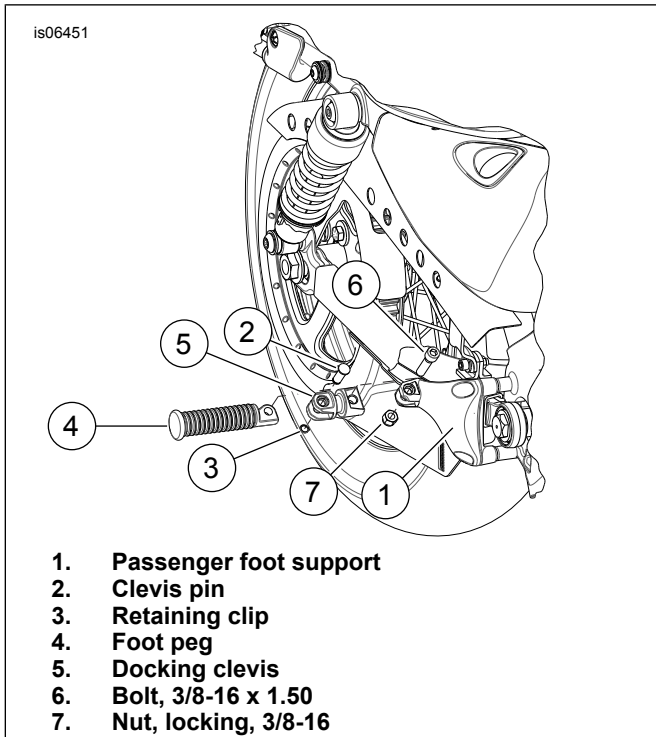


Figure 1. Docking Clevis Installation

Install Docking Clevis to Passenger Foot Supports

1. **Unless already equipped** with passenger foot supports, install Passenger Foot Support Kit **50203-04** for 2004-2013 or Kit **50500270** for models 2014 and later with the addition of the docking clevises from this saddlebag kit.
2. **If already equipped** with passenger footpegs, remove the footpeg from the mount bracket per instructions in your service manual. Retain all hardware for later installation.
3. See Figure 7 and Table 1. Obtain the docking clevises (16), screws (17) and nuts (18) from the kit.
4. See Figure 1. Install docking clevis (5) to each passenger foot support (1) using the hardware found in the saddlebag kit (6 and 7). Tighten nut to 13.6–21.7 N·m (10–16 ft·lbs).
5. Install passenger footpeg (4) to docking clevis (5) per instruction in passenger foot support kit using pins (2) and retaining clips (3).

Install Docking U-Clips to Saddlebag Support Arms

1. See Figure 7 and Table 1. Obtain the saddlebag support arms (10) and docking clips (19).
2. See Figure 2 Install the U-shaped docking clips (1) to the slot end of the saddlebag support arms (2). Clips must be fully inserted in the support arm slot to fit over the docking clevis.

3. Make sure that docking clip protrusions are fully seated in the support arm notch (3) and both ends of the docking clip are roughly even with the support arm fingers (4). Multiple attempts to position the clips may be needed. **IF** the clip is close but not fully seated, pliers may be used, protecting the clip and bracket surfaces, to force the notches to engage.

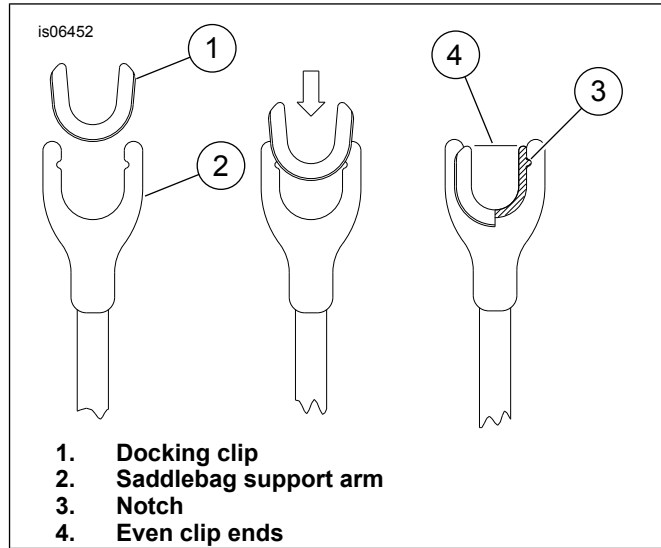


Figure 2. Docking Clip Installation

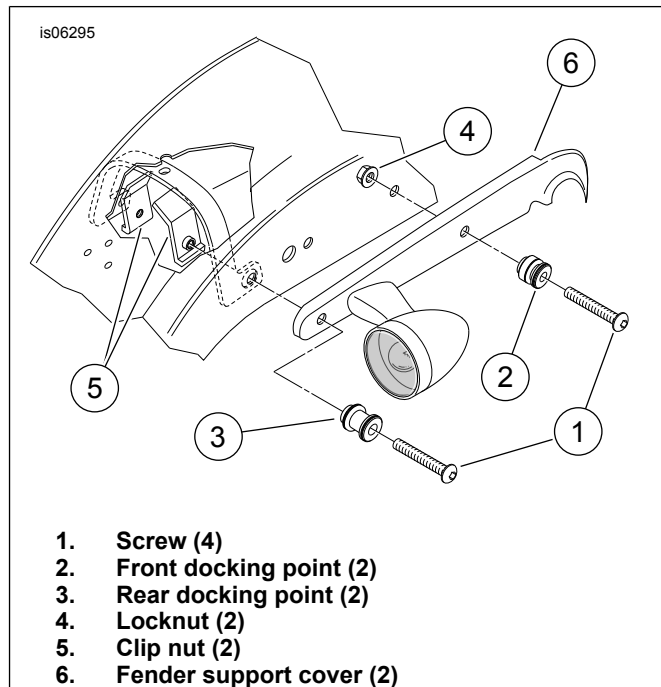


Figure 3. Docking Points - Rigid Accessories or Saddlebags Only

Models WITHOUT Other Detachable Accessories

1. See Figure 3. Install Docking Hardware Kit **90201424** referring to instructions included in that kit.
2. See Figure 7 and Table 1. Obtain the right (1) and left (2) saddlebag assemblies, rear docking adapters (14), screws (13) and nuts (15).

- See Figure 4. Insert the posts of the rear docking adapter (1) into holes into the rear of the saddlebag bracket and hold in place.
- Install rear docking adapter (1) using screw (2) and nut (3). Tighten snugly.
- See Figure 7 and Table 1. Obtain the saddlebag support arms with attached u-clips (10 and 19), flat washers (12), lockwashers (11) and components from kit 90201424.
- Follow instructions from kit 90201424 to assembly arm (10) to the saddlebags.
- Proceed to "Saddlebag Installation".

Models WITH Other Detachable Accessories (sideplates, uprights, luggage racks, and so on)

- Refer to instructions included with Docking Hardware Kit **90201424**.
- Install the docking points per instructions in docking kit **90201424**.
- Install the saddlebag support arm assemblies per instructions in docking kit **90201424**.

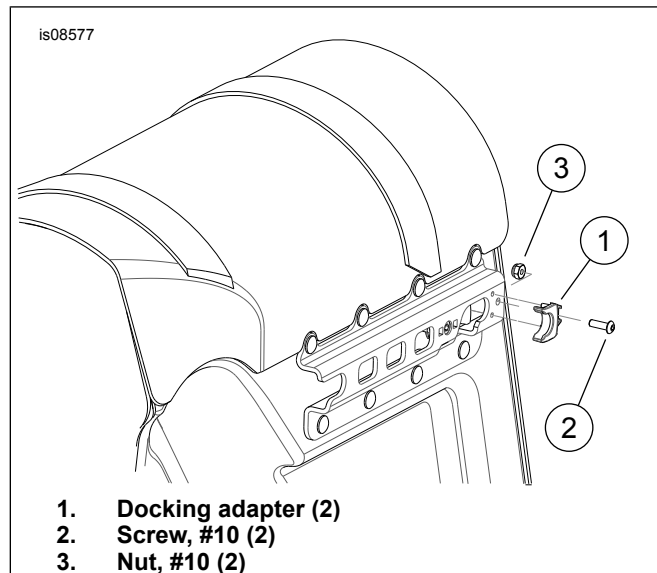


Figure 4. Install Rear Docking Adapters

Saddlebag Installation

- See Figure 5. Unlock and unclip the saddlebag lid and open the saddlebag.
- Pull on knob (1) located in upper rear corner inside saddlebag. Rotate knob toward rear of saddlebag (clockwise for left side saddlebag, counterclockwise for right side saddlebag).
- Approach the motorcycle with the saddlebag tipped slightly forward. Align the support arm slot over the docking clevis at the passenger foot support.
- Swing body of saddlebag down to align the forward and rear saddlebag bracket slots to the outer docking points. Slide into slots of bracket on back of saddlebag.
- Slide the saddlebag forward making sure that it is fully seated into all three docking locations.

- Rotate knob roughly 90 degrees forward relative to the saddlebag until the knob and latch assembly spring-load into place.
- Repeat for opposite side saddlebag assembly.

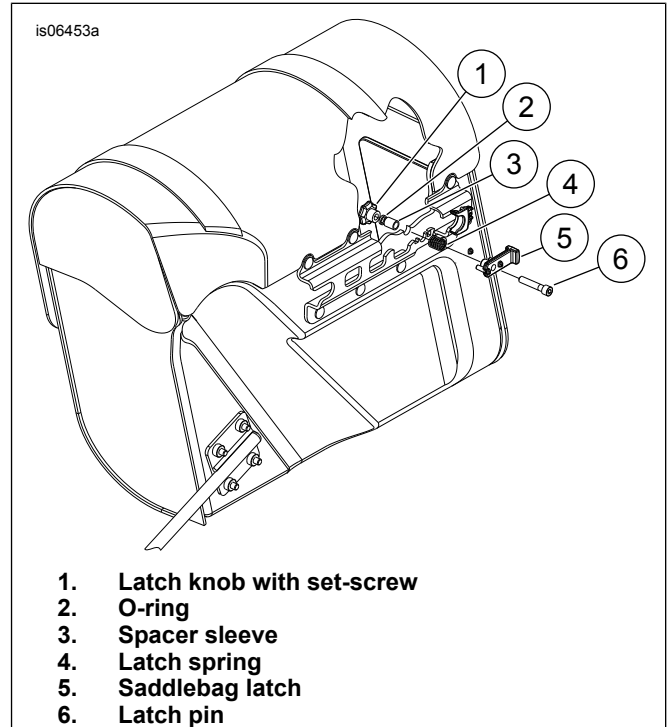


Figure 5. Saddlebag Latch Assembly

Install Reflectors

NOTE

Ambient temperature should be at least 60° F (16° C) for proper adhesion of the reflectors to the reflector mounts. Do not remove the liner until ready to apply the reflector.

⚠ WARNING

Federal Motor Vehicle Safety Standard (FMVSS) 108 requires motorcycles to be equipped with rear and side reflectors. Be sure rear and side reflectors are properly mounted. Poor visibility of rider to other motorists can result in death or serious injury. (00336b)

- See Figure 6. Position reflector mount (1) in center of saddlebag.
- Mark holes on saddlebag with pen or other suitable tool.
- Clean the surface of the reflector mount (1) with a mixture of 50-70 percent isopropyl alcohol and 30-50 percent distilled water. Allow to dry completely.
- Remove the liner from the adhesive backing of the reflector (2). Carefully position the reflector to the reflector mount. Press firmly into place. Hold the reflector in position with steady pressure for at least one minute.
- Using a suitable tool, make two 3/16 in holes in saddlebag at locations marked in Step 2.
- Install reflector mount (1) on saddlebag using two push nuts (3). The push nuts are installed from inside the saddlebag.

NOTE

Allow AT LEAST 24 hours after applying the reflector before exposing the area to vigorous washing, strong water spray or extreme weather.

The adhesive bond will increase to maximum strength after about 72 hours at normal room temperature.

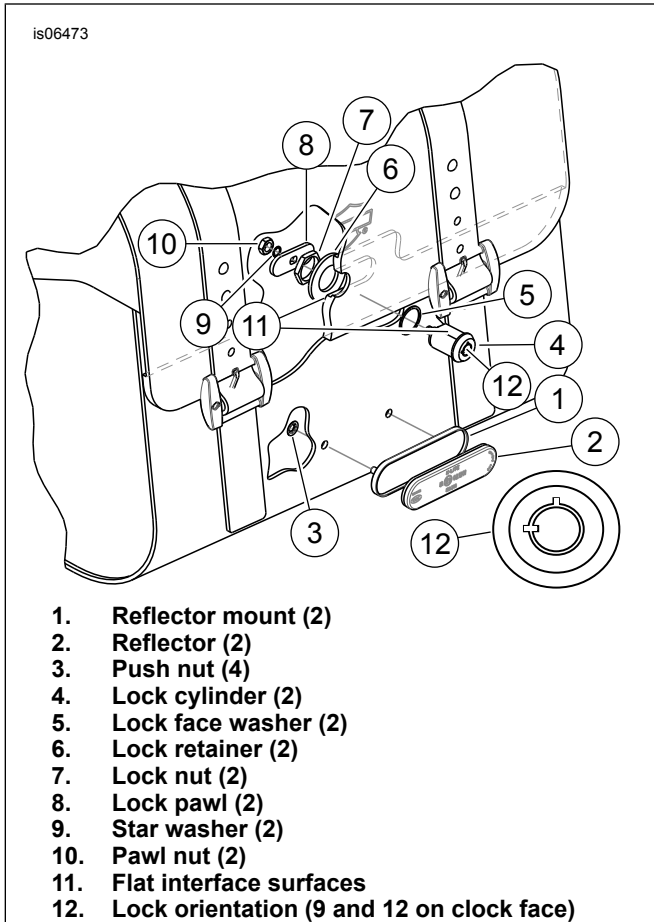


Figure 6. Install Reflectors and Lock Assemblies

Install Lock Assemblies

1. See Figure 7 and Table 1. Obtain the lock items 3 through 7 from the kit.
2. Unclip and open one of the saddlebag lids for access to the lock opening.
3. See Figure 6. Place the lock face washer (5) over the lock cylinder (4).
4. Install the lock cylinder so the key notches of the lock face (12) are oriented at the 12 o'clock and 9 o'clock positions. Insert lock cylinder through hole in saddlebag lid and engage flat surfaces (11) of both lock and lid support plastic backing.
5. Install the lock retainer (6) from the inside of the saddlebag lid and over the lock cylinder.
6. With lock cylinder inserted through the saddlebag lid and retainer washer in place against the inside of the lid, apply a few drops of Loctite 243 (blue) to the 3-4 lock cylinder threads nearest to the lock retainer washer.
7. Install the locknut (7) from the inside of the lid and thread onto the lock cylinder. Tighten securely.

8. Remove the pawl nut (10) and star washer (9) from the installed lock cylinder (4). Do not remove the cam washer from the back of the lock cylinder. If the cam falls off the lock cylinder, it must be replaced correctly. Correct installation allows the key to be removed in both the locked and unlocked positions. The cam can be installed incorrectly so test the orientation before installation of the pawl. If the key is unable to be removed in either lock position, flip the cam over and install.
9. Install the lock pawl (8) to the threaded post of the lock cylinder as well as a star washer (9) and pawl nut (10). Tighten pawl nut securely.
10. Repeat the lock installation for the other saddlebag.

FINAL ASSEMBLY

NOTE

Make sure that the ignition / light key switch is in the "OFF" position before installing the main fuse / attaching the battery cables.

1. Verify that the ignition switch is turned to the "OFF" position.
- **Models with main fuse:** Refer to the service manual and follow the instructions given to install the main fuse.
 - **Models with main circuit breaker:** Apply a light coat of petroleum jelly or corrosion retardant material to battery terminals. Refer to the service manual and follow the instructions given to attach the battery cables (positive cable first).

⚠ WARNING

Connect positive (+) battery cable first. If positive (+) cable should contact ground with negative (-) cable connected, the resulting sparks can cause a battery explosion, which could result in death or serious injury. (00068a)

⚠ WARNING

After installing seat, pull upward on seat to be sure it is locked in position. While riding, a loose seat can shift causing loss of control, which could result in death or serious injury. (00070b)

2. Refer to the service manual, and follow instructions to install the seat.

MAINTENANCE

Docking Point Screws

NOTICE

Failure to tighten hardware to the specified torque could result in damage to the installed accessory. (00508b)

1. After approximately 500 miles of on road use with the saddlebags installed, check the torque on the docking point mounting screws. Check to make sure that the proper torque is maintained and tighten screws as necessary.
- Tighten upper docking point screws to 19–21.7 N·m (14–16 ft-lbs).
 - Tighten saddlebag lower support arm screws to 6.8–10.2 N·m (60–90 in-lbs).

Saddlebag Docking Points

NOTE

In time, docking points may wear and cause the saddlebag connections to loosen. The fit may be tightened using the following procedure:

1. Note or lightly mark the current rotational orientation of the docking point. Remove the docking hardware screws.
2. Clean threads of residual adhesive. Reapply Loctite 243 (Blue) to first four threads of docking point screws.
3. Install screws loosely for now.
4. Rotate docking points clockwise approximately 90 degrees from their previous position.

5. Torque the docking hardware to 19–21.7 N·m (14–16 ft-lbs).

NOTE

This procedure can be repeated only once before replacement of the docking points is recommended.

If the co-molded plastic docking point surfaces are cracked or if pieces are missing, replace the docking point immediately. Cracked or missing pieces of the plastic over-mold results in more free play than can be eliminated by rotating the docking points.

Saddlebag Care

1. Apply the Harley-Davidson Genuine Leather Dressing (H-D Part Number 93600034) included with the saddlebag according to the instructions in the leather care kit.
2. Periodically oil saddlebag snaps using a small amount of motor oil or all-purpose household oil.

SERVICE PARTS

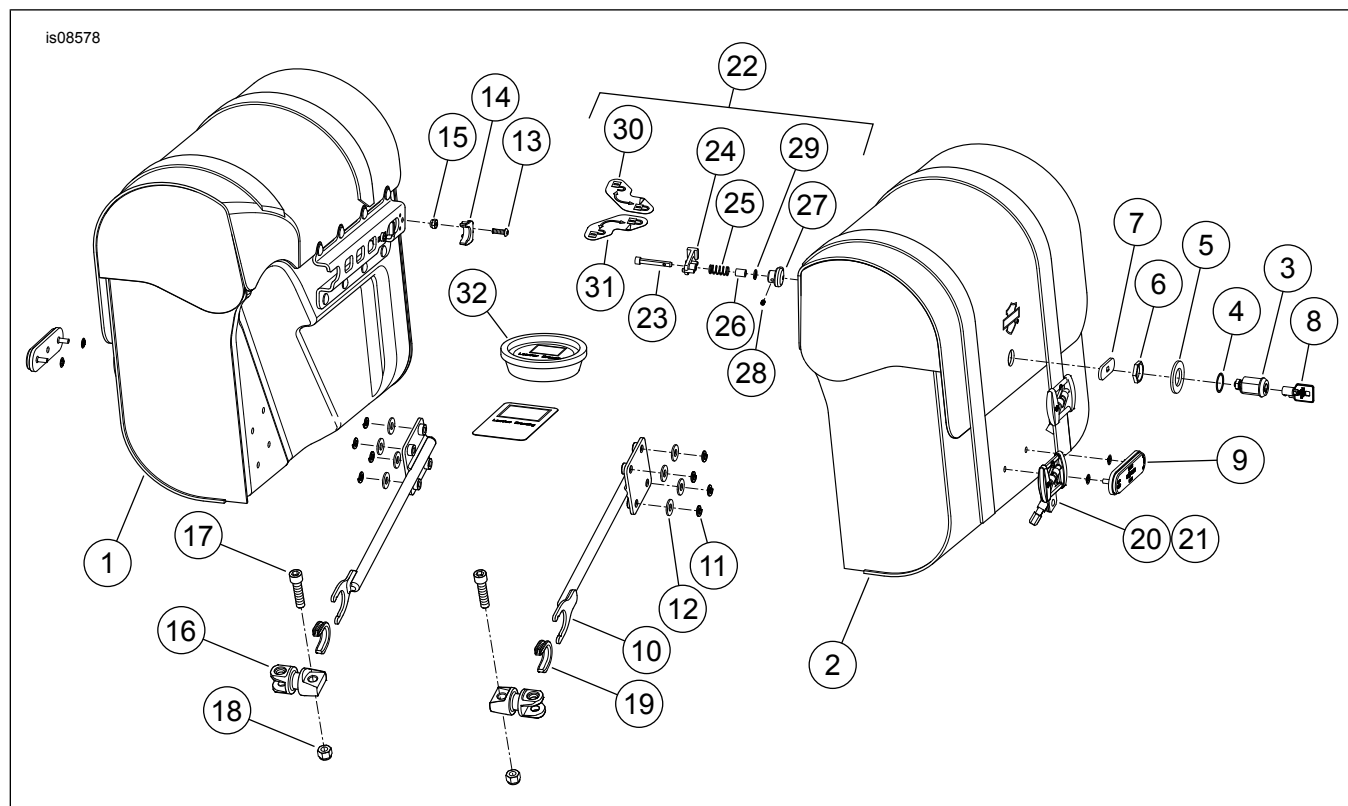


Figure 7. Service Parts: XL Detachable Saddlebag Kits

Table 1. Service Parts Table

Item	Description (Quantity)	Part Number
1	Saddlebag assembly, without lock, right	88364-10
2	Saddlebag assembly, without lock, left	88365-10
3	Lock cylinder (serviced with 2 keys) (2)	53584-92**
4	Washer, lock face (2)	53641-02
5	Retainer, lock (2)	Not Sold Separately
6	Hex nut, lock (2)	84850-92
7	Pawl, lock (2)	Not Sold Separately
8	Key blank (2)	71452-91A**
9	Kit, reflector (2)	59480-04A
10	Arm, saddlebag support (2)	90201322
11	Lockwasher, split, 1/4" NOM (8)	7036
12	Washer, flat, 1/4" NOM (8)	6235

Table 1. Service Parts Table

Item	Description (Quantity)	Part Number
13	Screw, button head, #10-24 x 5/8" (2)	4620
14	Adapter, docking spacer (2)	88251-07
15	Nut, nylock, #10 (2)	7624
16	Clevis, docking (2)	Not Sold Separately
17	Screw, socket head, 3/8"-16 x 1.50" (2)	4350A
18	Nut, nylock, 3/8"-16 (2)	7778
19	Bushing, docking U-clip (2)	52682-09
20	Buckle, with male quick disconnect, right side (2)	88370-10
21	Buckle, with male quick disconnect, left side (2)	88369-10
22	Latch assembly (includes items 23 through 31) (2)	88257-07B
23	• Latch pin	Not Sold Separately
24	• Latch	Not Sold Separately
25	• Latch spring	Not Sold Separately
26	• Latch spacer	Not Sold Separately
27	• Latch knob	Not Sold Separately
28	• Set-screw, #10-24 x 1/4	10200139
29	• O-ring	11900007
30	• Label, lock/unlock, left	Not Sold Separately
31	• Label, lock/unlock, right	Not Sold Separately
32	Leather dressing	93600034
** Specify key number		