



INSTRUCTIONS

J06067

2015-04-23



SCREAMIN' EAGLE VENTILATOR ELITE PERFORMANCE AIR CLEANER KIT

GENERAL

Kit Numbers

29400217, 29400218

Models

For model fitment information, see the P&A retail catalog or the Parts and Accessories section of www.harley-davidson.com (English only).

Additional Parts Required

Proper installation of this kit requires the use of Digital Technician™ by a factory-trained technician at a Harley-Davidson dealer.

This kit requires the use of Loctite® 243 Threadlocker and Sealant - Blue (Part No. 99642-97) and Air Cleaner/Degreaser (Part No. 99883-88T). Both are available from a Harley-Davidson dealer.

⚠ WARNING

Rider and passenger safety depend upon the correct installation of this kit. Use the appropriate service manual procedures. If the procedure is not within your capabilities or you do not have the correct tools, have a Harley-Davidson dealer perform the installation. Improper installation of this kit could result in death or serious injury. (00333b)

NOTE

This instruction sheet refers to service manual information. A service manual for this year/model motorcycle is required for this installation and is available from a Harley-Davidson dealer.

Kit Contents

See Figure 3 and Table 1.

NOTE

This Screamin' Eagle Ventilator Elite Performance Air Cleaner is intended for high performance applications only. This engine-related performance part is legal for sale or use in California on pollution controlled motor vehicles. Engine-related performance parts are intended FOR THE EXPERIENCED RIDER ONLY.

The air cleaner contained in this kit is designed to perform with **this kit only**. Any other combination of components is not confirmed to be legal for street use.

REMOVAL

⚠ WARNING

To prevent accidental vehicle start-up, which could cause death or serious injury, remove main fuse before proceeding. (00251b)

1. Remove the main fuse. See the service manual.
2. Remove the existing air cleaner backplate. Refer to the service manual. Save the original equipment (OE) button head screw that secures the air cleaner cover. Discard the remaining parts.
3. Remove the fuel tank. Refer to the service manual.
4. See Figure 1. Remove and discard the induction module support bracket.

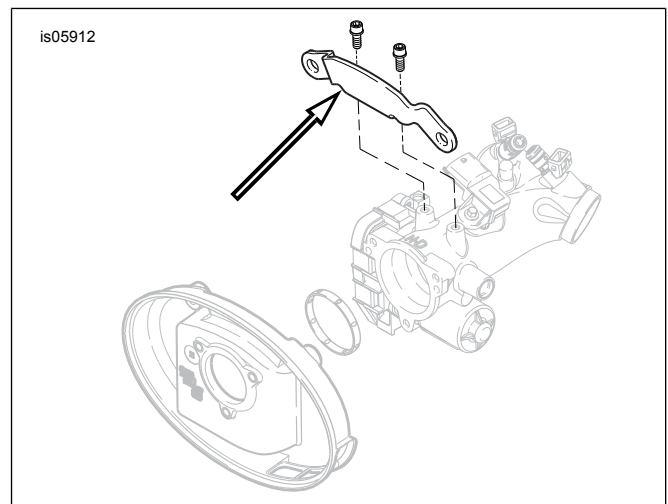


Figure 1. Remove Induction Module Support Bracket

INSTALLATION

Air Cleaner Installation

⚠ WARNING

Use only supplied air cleaner cover. Use of another air cleaner cover could cause element failure and detachment of the air cleaner cover, which could distract the rider and result in death or serious injury. (00596b)

NOTE

When servicing the air cleaner, apply Loctite 243 - Blue to the threads of all fasteners.

1. See Figure 3. Install ACR clip (12) and screws (13). Tighten screws to 3.4–4.5 N·m (30–40 in-lbs).

2. Install two O-rings (1) from the kit in the grooves around the breather bolt holes on the induction module side of the backplate assembly (2). Install the remaining two O-rings in the grooves in the underside of the heads of the breather bolts (5).
3. Remove the liner from the adhesive backing of the gasket (3). Carefully position the adhesive side of the gasket to the backplate, aligning to the equally spaced screw holes. Press the gasket firmly into place.
4. Insert new breather bolts (5) through the backplate.
5. Apply Loctite 243 - Blue to the breather bolt threads and the mating tapped holes in the cylinder head.
6. Thread the bolts into the cylinder head, but do not tighten.
7. Thread the air cleaner mounting studs (4) through the backplate (2) until the screw threads are captured in the induction module. Leave fasteners loose.
8. Alternately tighten the two breather bolts to 13.6–16.3 N·m (120–144 in-lbs).
9. Tighten the three air cleaner studs to 6.2–6.8 N·m (55–60 in-lbs).
10. Install fuel tank.

Air Cleaner Element and Cover Installation

NOTE

This is a dry air filter. Do not apply oil to the filter element.

Whenever the air cleaner cover is installed, apply Loctite 243 - Blue to the air cleaner cover screw (A).

1. See Figure 3. Secure the air filter element (7) to the air cleaner mounting studs (4) using three bright-finish TORX® screws (6) from the kit. Tighten the screws to 6.2–6.8 N·m (55–60 in-lbs).
2. Apply Loctite 243 - Blue to the threads of the OE air cleaner cover screw (A). Secure the air cleaner cover (8) to the air filter element (7) with the screw. Tighten the screw to 4.1–6.8 N·m (36–60 in-lbs).
3. Assemble the air cleaner cover insert (9) to the air cleaner cover with two chrome screws (10). Tighten securely.

NOTE

Install the rain sock over the air filter element in wet or rainy conditions to prevent water intrusion.

- **If parked**, water could enter the engine.
- **If moving**, enough water could be sucked in to cause engine misfiring.

Slip the rain sock (11) over the air filter element under these circumstances.

Final Assembly

1. Install the main fuse. Refer to the service manual.

ECM Recalibration

NOTICE

You must recalibrate the ECM when installing this kit. Failure to properly recalibrate the ECM can result in severe engine damage. (00399b)

Have a Harley-Davidson dealer download the new ECM calibration using Digital Technician™.

MAINTENANCE

Air Cleaner Element Maintenance

NOTE

This is a dry air filter. Do not apply oil to the filter element.

When servicing the air cleaner, apply Loctite 243 - Blue to the threads of all fasteners.

1. See Figure 3. Remove the air cleaner cover (8) and inspect the filter element (7) every 8,000 km (5000 mi), or more often under dusty conditions.
2. Clean the filter element (see Figure 2):
 - a. Remove and wash the element by immersing it, on edge, in a shallow pan containing enough Air Cleaner/Degreaser (1) to cover **no more than three-quarters of the depth of the filter pleats (2)**, about 9.5 mm (0.375 in). **Do not allow dirty solution to get inside the element.** Carefully "roll" the element in the solution around its perimeter (3) until the entire outer surface of the filter pleats has been soaked.
 - b. Remove the filter element from the cleaner/degreaser. Allow five minutes for the cleaner to dissolve the dirt.
 - c. From the inside out, rinse the element with cold water. Shake off excess water. Allow the element to air dry. **Do not dry with compressed air.**
3. Install air cleaner filter and cover.

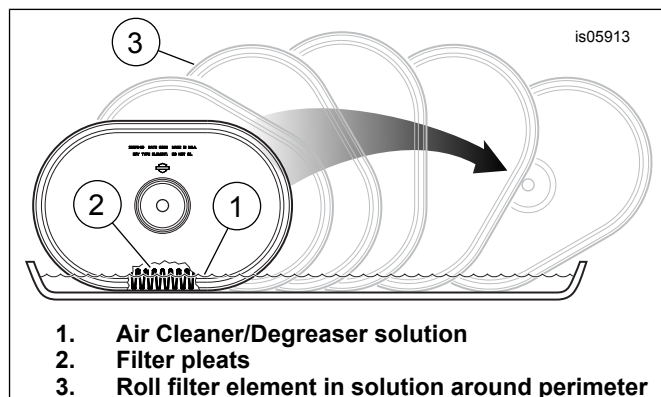


Figure 2. Cleaning the Filter Element

Service Parts

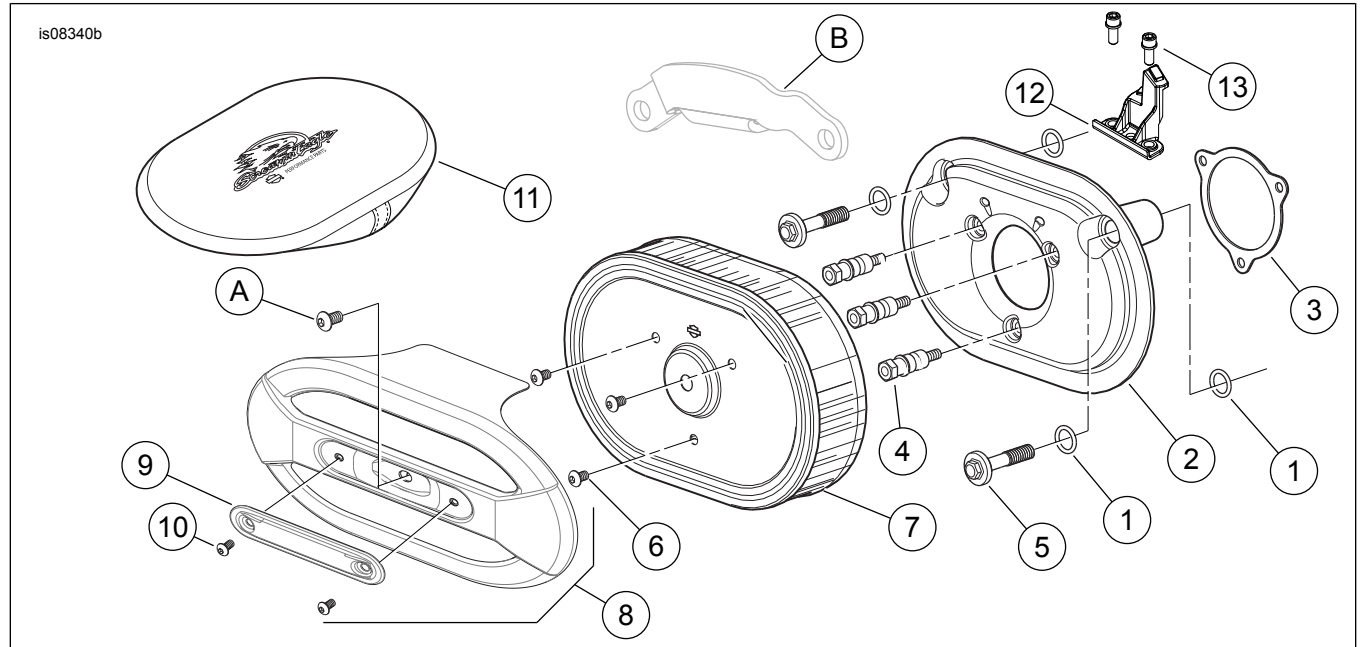


Figure 3. Service Parts: Screamin' Eagle Ventilator Elite Performance Air Cleaner Kit

Table 1. Service Parts Table

Item	Description (Quantity)	Part Number
1	O-ring (4)	11292
2	Backplate assembly, 50 mm	29763-09
3	Gasket, throttle body	29241-08
4	Air cleaner mounting stud (3)	8250
5	Breather bolt (2)	29267-08A
6	Screw, button head TORX, 1/4-20 x 9.5 mm (3/8 in) long (bright finish) (3)	3938
7	Element, air filter	29670-09
8	Cover, air cleaner (chrome, for kit 29400217) Cover, air cleaner (black, for kit 29400218)	61300516 61300517
9	Insert, air cleaner cover	14100699
10	Screw, button head, hex socket, #10-24 x 3/8 inch long (chrome) (2)	3048
11	Rain sock	29762-09
12	ACR connector retention clip	16325-10
13	Screw, hex socket, 1/4-20 x 5/8 inch long (2)	4705
Item mentioned in text, but not included in kit:		
A	Original equipment (OE) air cleaner cover screw	
B	Induction module bracket (remove and discard)	