



INSTRUCTIONS

J07065

2016-03-28



FAIRING LOWER SPEAKER INSTALLATION KIT FOR BOOM! AUDIO

GENERAL

The Boom!™ Audio system speakers in this kit work with either Stage I or Stage II systems.

These speakers are designed to fit in the lower fairings of Twin-Cooled™ models.

Kit Numbers

76000660, 76000734

Models

For model fitment information, see the P&A retail catalog or the Parts and Accessories section of www.harley-davidson.com (English only).

Installation Requirements

Prior or simultaneous installation of Stage I or Stage II Fairing Amplifier Kit is required.

FLXSE models require a Template and Cover Kit (Part No. 76000734).

FLTRUSE models require a jumper (Part No. 69200489) and interconnect (Part No. 69200714).

Vehicles with Stage I system: a Speaker Expansion Kit is required to enable six or eight speakers.

Vehicles with Stage II system: separate purchase of a Lower Amplifier Kit (Part No. 76000277A) and a Lower Speaker Installation Kit (Part No. 76000586) is required.

2015 and newer FLXSE models must use the template in this kit for amplifier installation.

NOTICE

Radio EQ MUST be updated by a Harley-Davidson dealer BEFORE operating the audio system. Operating the audio system prior to radio EQ update will IMMEDIATELY damage the speakers. (00645d)

Radio EQ update using the Digital Technician® II diagnostic tool is:

- Recommended **before** speaker INSTALLATION
- Required **before** audio system OPERATION.
- Only available through authorized Harley-Davidson dealers.

⚠ WARNING

Rider and passenger safety depend upon the correct installation of this kit. Use the appropriate service manual procedures. If the procedure is not within your capabilities or you do not have the correct tools, have a Harley-Davidson dealer perform the installation. Improper installation of this kit could result in death or serious injury. (00333b)

NOTE

This instruction sheet references service manual information. A service manual for this year/model motorcycle is required for this installation. One is available from a Harley-Davidson dealer.

Electrical Overload

NOTICE

It is possible to overload the vehicle's charging system by adding too many electrical accessories. If the combined electrical accessories operating at any one time consume more electrical current than the vehicle's charging system can produce, the electrical consumption can discharge the battery and cause damage to the vehicle's electrical system. (00211d)

⚠ WARNING

When installing any electrical accessory, be certain not to exceed the maximum amperage rating of the fuse or circuit breaker protecting the affected circuit being modified. Exceeding the maximum amperage can lead to electrical failures, which could result in death or serious injury. (00310a)

The amplifier installed **with this kit** requires up to **8 amps** more current from the electrical system.

Kit Contents

See Figure 4 and Table 1.

PREPARATION

⚠ WARNING

To prevent accidental vehicle start-up, which could cause death or serious injury, remove main fuse before proceeding. (00251b)

1. See the service manual. Remove fuse.
2. **All Models:** If this is a simultaneous installation with a Stage I or Stage II amplifier/speaker set, complete the fairing installation now.

- Remove and discard both fairing lower access doors. Remove outer fairing. See the service manual.

NOTE

This kit installs the same as an air-cooled vehicle lower speaker installation for amplifier and wire harness except that hole drilling is not required in the fairing lower for the wire pass-through.

- Vehicles with Stage I system:** Install speaker expansion kit can consider this a six or eight speaker configuration.
- Vehicles with Stage II system:** Remove right side saddlebag. Remove seat. Remove side covers. See the service manual.

SPEAKER INSTALLATION

- See Figure 4.
 - Vehicles with Stage I system:** Route the small terminal leads on wire harness (10) to the lower fairing.
 - Vehicles with Stage II system:** Wire harness (10) is not used, and can be discarded. Route the vehicle side harness per the instructions in the **amplifier** installation kit. **DO NOT** drill any holes in fairing lower.
- All Models:** Route the harness along the main harness to the right side of the steering head.
- Route the harness through the fairing. Verify that there is no interference with steering. Allow approximately this length of wire to remain inside the fairing lower compartment:
36 cm (14 in)
- Position the speakers. Rotate so the tweeter is on the outboard side when installed.
- See Figure 1. Route wire through small opening (2). Keep wire from contacting the vent (4) and vent control (3).
- Repeat on other side.
- Install the wire harness leads to the cross-over board on the back of the speakers. Leave enough slack to enable speaker removal to access the coolant bottle.
- Repeat on other side.
- Secure wires with cable strap (5).
- Snap speakers into place.

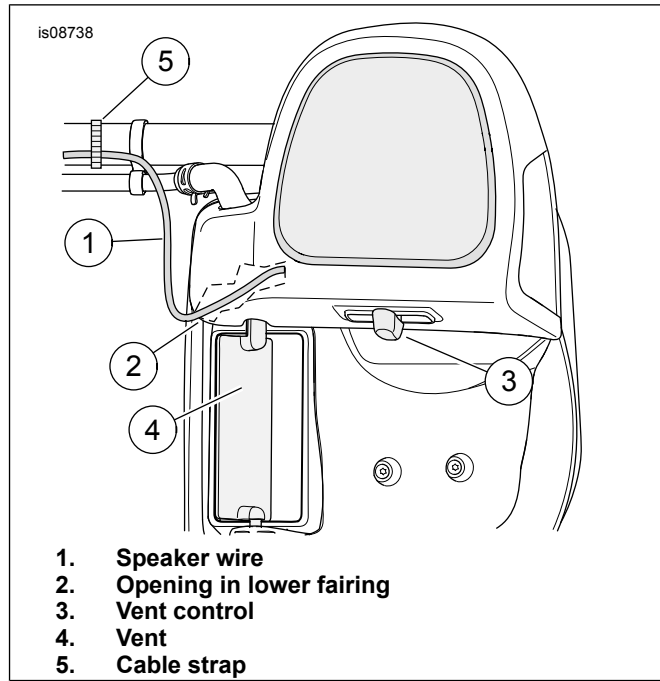


Figure 1. Speaker Wire Routing

AMPLIFIER INSTALLATION

Stage I:

All Models Except CVO Ultra: Locate connector [313], rear speaker output of primary amplifier.

Plug in connector [313] to wire harness (10). See Figure 4. Proceed to **COMPLETION** Section of this document.

CVO Ultra Models: Unless already in place, insert interconnect (Part No. 6920714) into connector [162] behind passenger seat.

Connect four-way socket side to speaker expansion audio harness [297]. Connect four-way pin side to socket side of jumper (Part No. 69200489). Connect pin side of jumper to wire harness (10) from this kit.

Unless previously installed, plug in four-way pin side Molex connector [296] (under seat) to four-way socket side connector [296] of speaker expansion kit.

Stage II:

NOTE

All models: Two-way tweeter connectors [36RT and 37LT] are **NOT** used in Stage II applications. Cover the connector ends with tape. Stow and secure with cable straps.

All models **except 2015 and later FLHXSE:** Proceed to the **COMPLETION** Section of this document.

2015 and later FLHXSE: follow instructions in **this** kit and the instructions in Template and Cover Kit (Part No. 76000734).

2015 FLHXSE:

Discard the template included in the Stage II Fairing Lower Speaker Kit. Use the template included in **this** kit. See Figure 2.

1. See Figure 3. Use the template (1) to cut the openings in the saddlebag for the **fairing lower** amplifier 18-way flanged connector [289-1].
 - a. Saddlebag lid speakers are present from the original equipment (OE) installation. Right side speaker wires could be in the connector cutout location. Remove the OE wire harness and four-way connector.
 - b. Place the template on the saddlebag. Align the grommet (2) and latch fastener (3) openings. Use tape (10) to secure the template in place.
 - c. Place masking tape on the opposite side of the template to reduce possible paint damage to the outside of the saddlebag.
 - d. Trace the cut outline (4) onto the saddlebag. Trace the cut outline (7) onto the saddlebag. Trace the cut outline (9) onto the saddlebag.
 - e. Drill two 9/32 in (7.25 mm) holes (5) for the connector flange mounting locations. Drill five 3/16 in (**4.5 mm?** **5 mm?** **Which is better?**) holes (6) for the connector flange mounting locations. Drill five 3/16 in (**4.5 mm?** **5 mm?**) holes (8) for the connector flange mounting locations.
 - f. Remove template. Use an air saw or similar tool to cut out the connector cutout (4). Verify size of opening (4) with the 18-way flanged connector [289-1A] on the saddlebag harness (see Figure 4, Item 7). Shape the hole as seen on the template if necessary for proper fit.

2016 and later FLHXSE:

Discard the template included in the Stage II Fairing Lower Speaker kit. Use the template included in **this** kit. See Figure 2.

1. See Figure 3. Use the template (1) to cut the openings in the saddlebag for the **fairing lower** amplifier 18-way flanged connector [289-1].
 - a. Cut the bottom of the template along cut line (11). Discard the bottom of the template.
 - b. Saddlebag lid speakers are present from the original equipment (OE) installation. This connector remains as is.
 - c. Place the template on the saddlebag. Align the grommet (2) and latch fastener (3) openings. Use tape (10) to secure the template in place.
 - d. Place masking tape on the opposite side of the template to reduce possible paint damage to the outside of the saddlebag.
 - e. Trace the cut outline (4) onto the saddlebag. Trace the cut outline (7) onto the saddlebag.
 - f. Drill two 9/32 in (7.25 mm) holes (5) for the connector flange mounting locations. Drill five 3/16 in (**4.5 mm?** **5 mm?**) holes (6) for the connector flange mounting locations.

- g. Remove template. Use an air saw or similar tool to cut out the connector cutout (4). Verify size of opening (4) with the 18-way flanged connector [289-1A] on the saddlebag harness (see Figure 4, Item 7). Shape the hole as seen on the template if necessary for proper fit.
- h. After installing the 18-way connector [289-1]: Install connector cover (12) over it by snapping in place. Secure wire bundles inside bag using cable straps and adhesive bases provided with amplifier installation kit. Complete Stage II amplifier installation per instruction in **that** kit.

Cut openings for four-way connector [289-2]:

See Figure 3, Items 6 and 7.

1. Use the outlines made earlier and the center pilot hole to drill a hole for the **upper** four-way flanged connector [289-2].
 - a. Use a step drill to make a 7/8 in (**22 mm?** **22.5 mm?**) hole for connector cutout (7).
 - b. Use a file to make the flats at the top of the hole.
 - c. Test-fit the connector [289-2]. Shape the hole as seen on the template if necessary for proper fit.

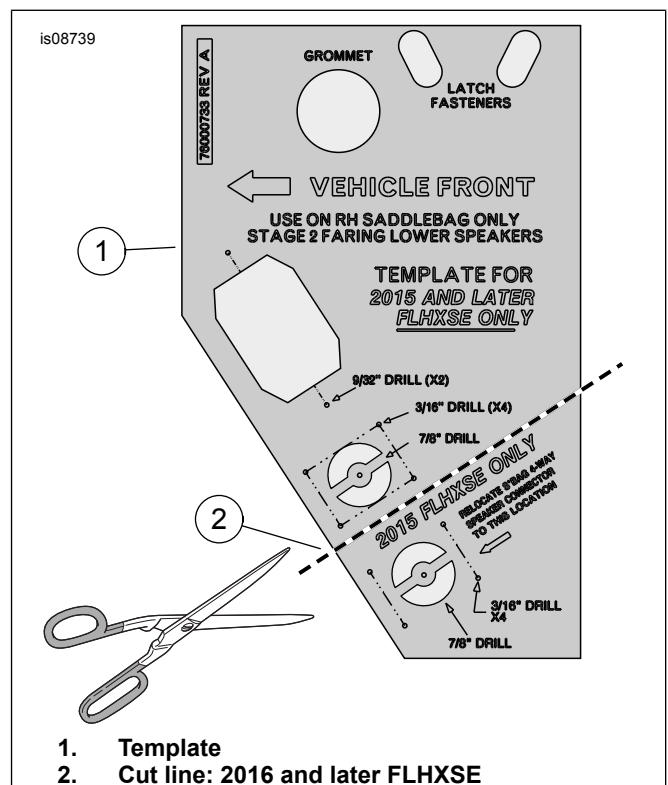


Figure 2. 2015 and Later FLHXSE (CVO Street Glide)

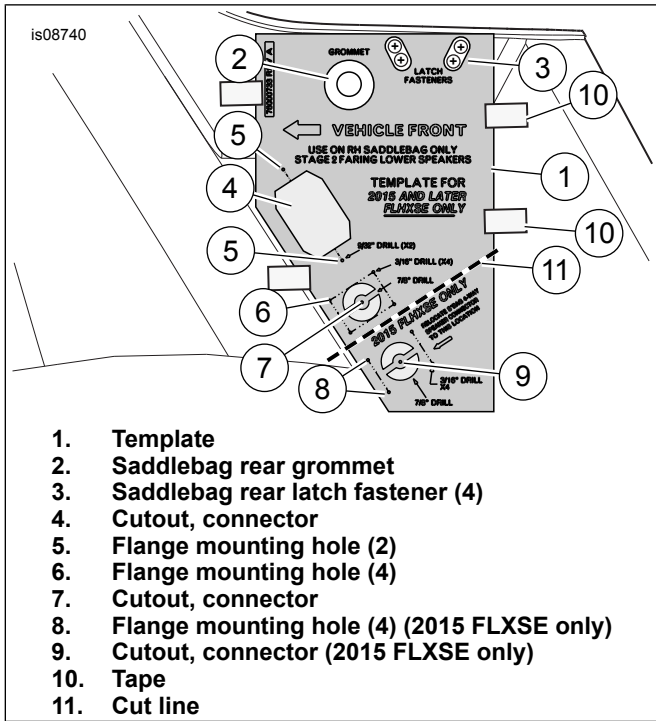


Figure 3. Right Saddlebag Cutout and Drilling Harness Installation

COMPLETION

NOTE

To prevent possible damage to the sound system, verify that the ignition switch is **OFF** before attaching the battery cables.

▲ WARNING

Connect positive (+) battery cable first. If positive (+) cable should contact ground with negative (-) cable connected, the resulting sparks can cause a battery explosion, which could result in death or serious injury. (00068a)

1. Apply a light coat of petroleum jelly or corrosion retardant material to battery terminals.
2. Install the ECM caddy per the service manual.
3. See the service manual. Install seat. After installing seat, pull up on the seat to verify that it is secure.
4. Install main fuse.
5. Have a Harley-Davidson dealer update the radio EQ using Digital Technician II.

SERVICE PARTS

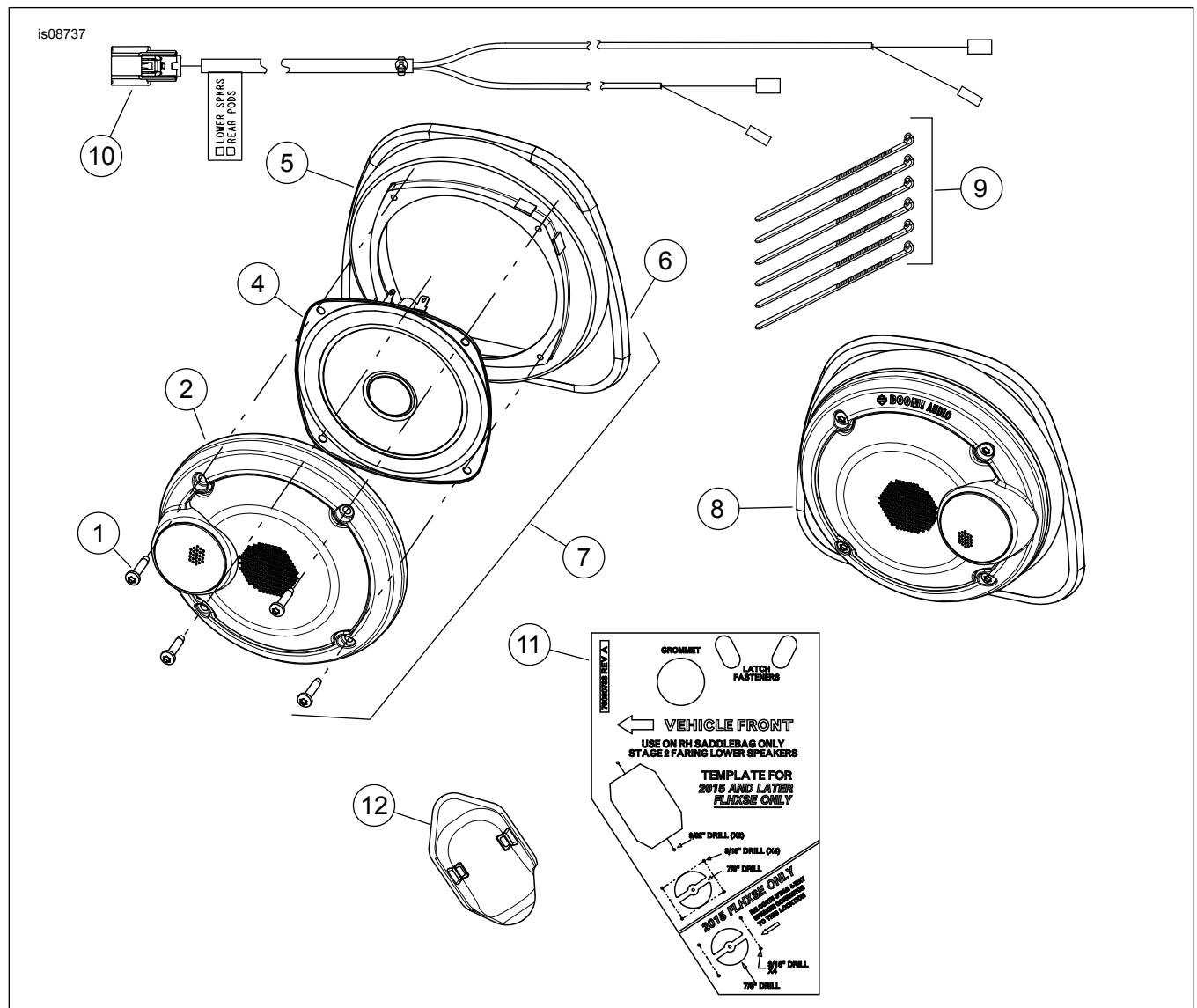


Figure 4. Service Parts, Fairing Lower Speakers

Table 1. Service Parts

Kit	Item	Description (Quantity)	Part Number
Kit 76000660	1	Screw, # 8 x 1/2 in (8)	Not sold separately
	2	Speaker Grille Assembly, Left Side	76000664
	3	Speaker Grille Assembly, Right Side (not shown)	76000667
	4	Speaker, lower, Stage 1 or 2 (2)	76000672
	5	Speaker mount (2)	76000663
	6	Panel clip (6)	12200025
	7	Speaker assembly, left side	Not sold separately
	8	Speaker assembly, right side	Not sold separately
	9	Cable strap (6)	10006
	10	Wire harness	69200612
Kit 76000734	11	Template, drill, cutout	76000733
	12	Connector cover	69201566