



# INSTRUCTIONS

J05889

2013-06-01



## BOOM! BOX INFOTAINMENT SYSTEM

### GENERAL

This kit **must** be installed by an authorized Harley-Davidson dealer. Proper installation of this kit requires special materials, tools or training only available to an authorized dealer.

### Kit Number

76000511, 76000512

### Additional Parts Required

#### ▲ WARNING

**Rider and passenger safety depend upon the correct installation of this kit. Use the appropriate service manual procedures. If the procedure is not within your capabilities or you do not have the correct tools, have a Harley-Davidson dealer perform the installation. Improper installation of this kit could result in death or serious injury. (00333b)**

#### NOTE

*This instruction sheet references service manual information. A service manual for your model motorcycle is required for this installation and is available from a Harley-Davidson dealer.*

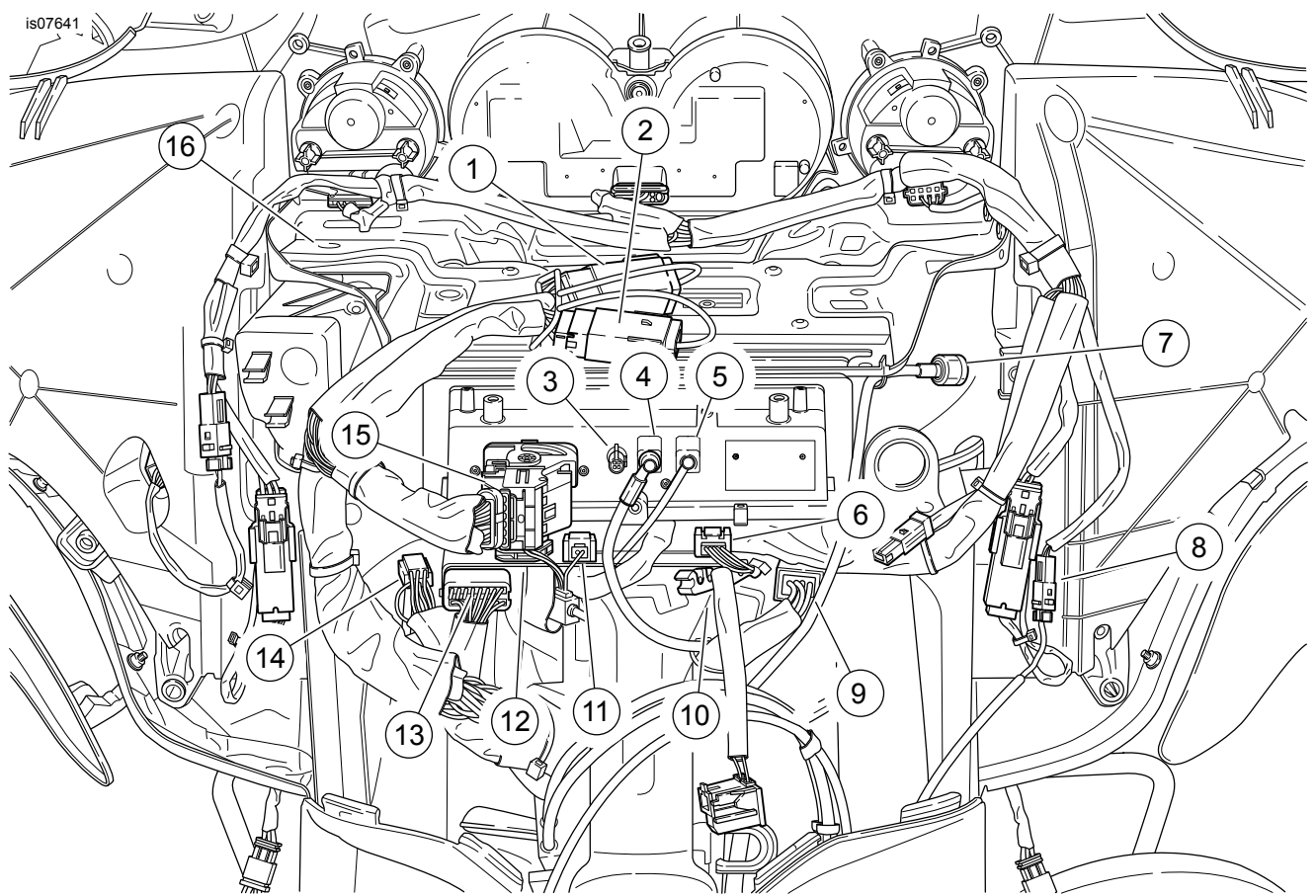
### INSTALLATION

#### NOTE

*Never operate vehicle with the radio or upper support bracket removed. These components provide important structural support to the fairing. Damage to the fairing assembly can result if operated without either of these components installed. Temporarily install Police Glove Box Assembly (purchased separately) if the vehicle must be operated with the radio removed.*

1. Follow radio removal and installation steps in service manual.
2. See Figure 1. Connect GPS connector (5).
3. Clean GPS antenna mounting area with an equal mixture of water and isopropyl alcohol. Allow to dry.
4. Remove adhesive backing and apply GPS antenna to mounting area (16). Press firmly for 60 seconds.
5. Follow configuration procedure in service manual and, if necessary, follow software update procedures.





- |                            |   |
|----------------------------|---|
| 1. CB connector            | 9. Main-to-fairing harness, left                      |
| 2. P&A accessory           | 10. Heated hand grip power, if equipped (not visible) |
| 3. Auxiliary audio input   | 11. Run/stop switch                                   |
| 4. AM/FM radio antenna     | 12. Right handlebar switches (not visible)            |
| 5. GPS connector           | 13. Main-to-fairing harness, right                    |
| 6. Left handlebar switches | 14. TGS   |
| 7. CB antenna              | 15. Radio   |
| 8. Front fender tip lamp   | 16. GPS antenna mounting location                     |

Figure 1. Inner Fairing Harness Connectors

## SERVICE PARTS

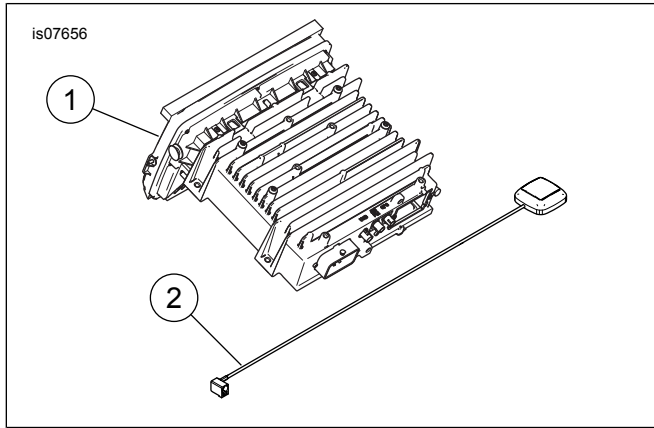


Figure 2. Service Parts: Boom! Box Infotainment System

Table 1. Service Parts

Item	Description (Quantity)	Part Number
1	Boom! Box Infotainment System	Not Sold Separately
2	GPS antenna	76000222