



INSTRUCTIONS

J05980

2014-08-11



GAUGE DASH PANEL

GENERAL

Kit Number

61400278, 61400284, 61400328

Models

For model fitment information, see the P&A Retail Catalog or the Parts and Accessories section of www.harley-davidson.com (English only).

Kit Contents

See Figure 2 and Table 1.

INSTALLATION

- Ambient temperature should be between 21 °C (70 °F) and 38 °C (100 °F) for proper adhesion. Do not apply below 10 °C (50 °F)
- Allow AT LEAST 24 hours after application before exposing the area to vigorous washing, strong water spray or extreme weather.
- The adhesive bond will increase to maximum strength after about 72 hours at normal room temperature.

NOTE

Do not clean with denatured alcohol, mineral spirits or other solvents. Damage to components may occur.

1. Using a 50:50 isopropyl alcohol/water solution, thoroughly clean recessed inner fairing surface. Allow to dry completely.
2. With the adhesive backing still in place, test fit the gauge dash panel to the inner fairing.

NOTE

The part cannot be repositioned after initial installation.

3. See Figure 1. Hold the panel in position and apply a small piece of masking tape along its bottom edge.

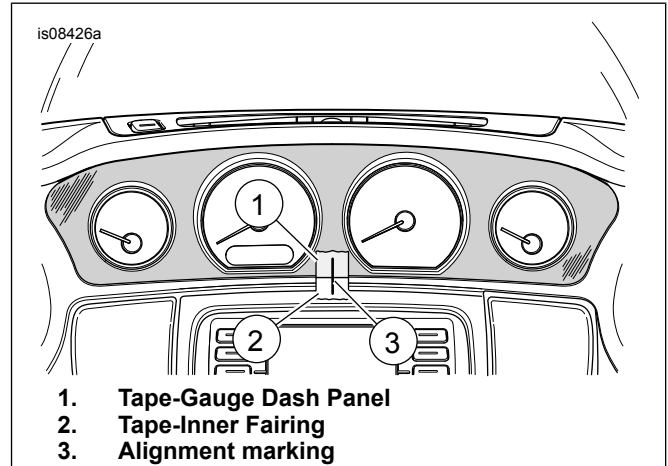


Figure 1. Gauge Dash Panel

4. Apply a second piece of masking tape to the inner fairing next to the first piece of tape.
5. Draw an alignment mark across both pieces of tape.
6. Remove the panel and then remove its adhesive backing.
7. Position the panel by aligning the marks and install the panel to the inner fairing.
8. Apply firm, sliding pressure across the entire panel to make sure that there is good adhesion to the inner fairing.
9. Remove the masking tape.

SERVICE PARTS

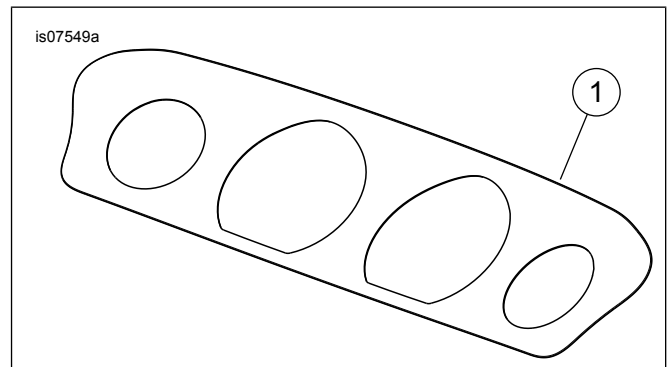


Figure 2. Service Parts: Gauge Dash Panel

Table 1. Service Parts

Item	Description (Quantity)	Part Number
1	Gauge Dash Panel	Not Sold Separately