



INSTRUCTIONS

J06082

2014-08-11



FRONT FENDER MEDALLIONS

GENERAL

Kit Number

14100747 (bar & shield), 14100748 (H-D), 14100749 (skull)

Models

For model fitment information, see the P&A retail catalog or the Parts and Accessories section of www.harley-davidson.com (English only).

Kit Contents

See Figure 1 and Table 1.

NOTE

To avoid exposure to grease, oil, dust, dirt and skin oil, the protective film must not be removed from the pressure sensitive adhesive backing until the moment of application.

Harley-Davidson cannot verify the results when affixing this medallion to any other surface or material. Improper fit or damage to surfaces may occur.

Prepare the Fender Skirt

NOTE

For maximum adhesive bond, the fender skirt under and immediately surrounding the medallion must be clean and dry.

1. Clean the surface with a mixture of 50 to 70% isopropyl alcohol and 30 to 50% distilled water.
2. Allow fender to dry thoroughly.

NOTE

To prevent contamination, apply medallion within minutes.

Apply the Medallion

1. With the protective film still in place, trial fit the medallion to the fender skirt.

NOTE

Ambient temperature should be 70-100 °F (21-38 °C).

2. Remove the protective film.
3. Carefully locate and center the medallion on the fender skirt.
4. Press the medallion firmly into position. Without shifting the medallion on the fender skirt, push hard with thumbs for about five seconds.
5. After releasing pressure, avoid direct contact with the medallion for at least 20 minutes.

NOTE

Allow AT LEAST 24 hours before exposing the fender skirt to vigorous washing, strong water spray or extreme weather. The adhesive bond will increase to maximum strength after about 72 hours at normal room temperatures.

SERVICE PARTS

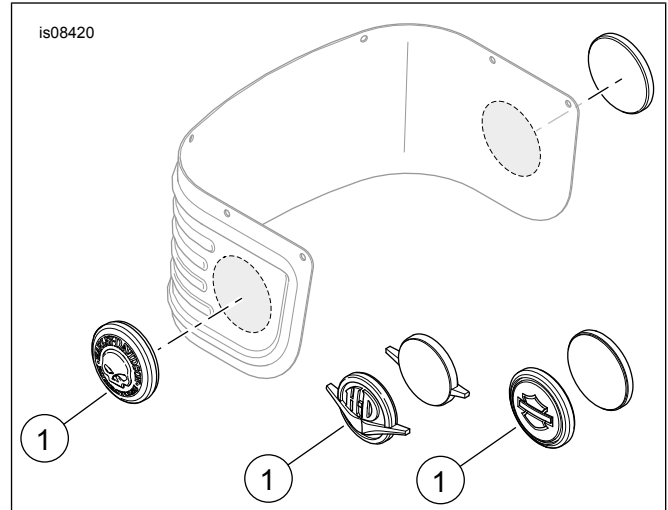


Figure 1. Fender Skirt Medallions

Table 1. Service Parts

Item	Description (Quantity)	Part Number
1	Fender skirt medallion (2)	Not sold separately

